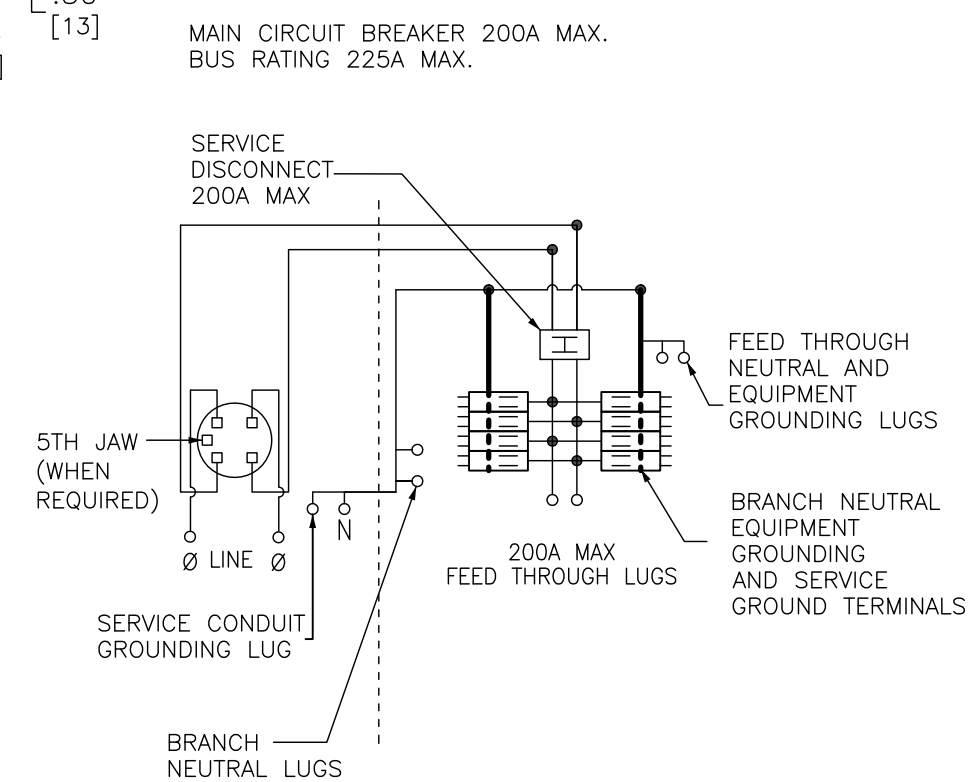
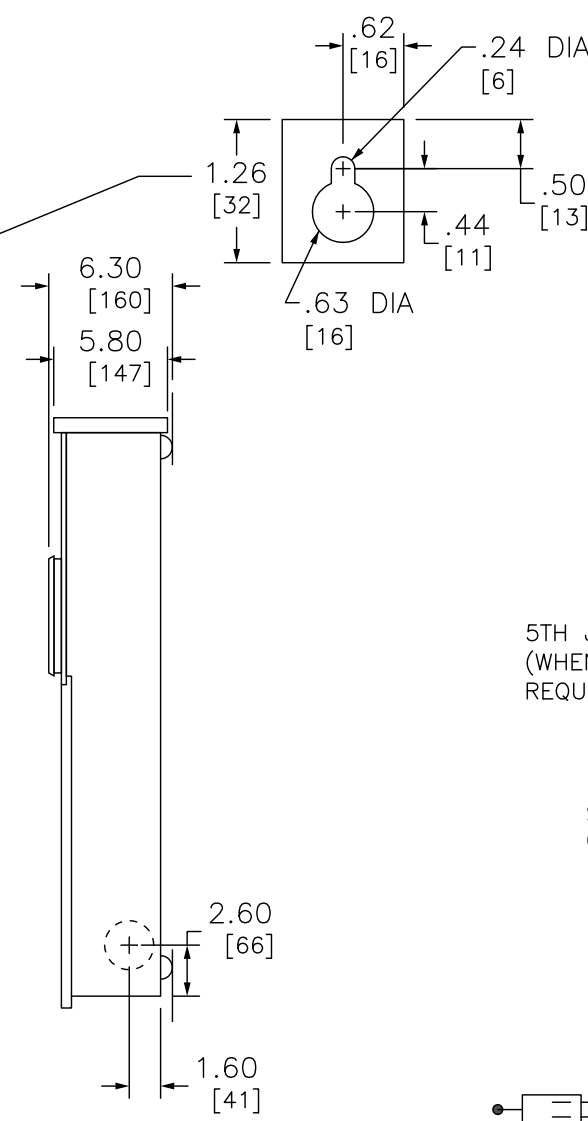
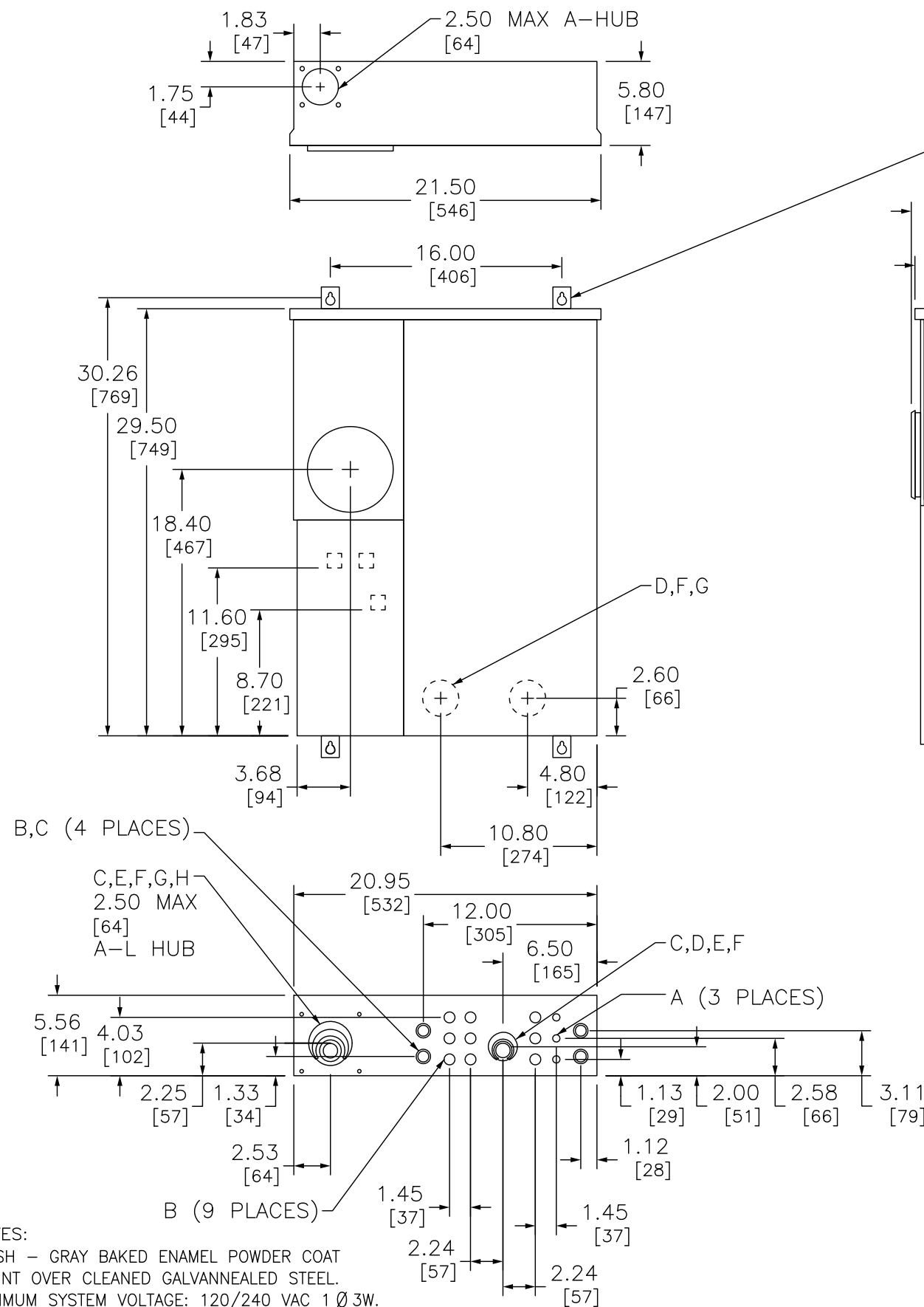


KNOCKOUTS		
SYMBOL	CONDUIT SIZE	
	IN	MM
A	.50	13
B	.75	19
C	1.00	25
D	1.25	32
E	1.50	38
F	2.00	51
G	2.50	64
H	3.00	76



TWO SINGLE POLE, ONE PLUG-ON SPACE TYPE HOMT, ONE SINGLE POLE TYPE HOM OR HOMP. TWO POLE TYPE HOM, HOMA OR HOMT (15-110A) MAY PLUG ON TWO ADJACENTS SPACES. TWO POLE TYPE HOMA (150-200A) MAY PLUG ON FOUR ADJACENT SPACES.

USE 15-110A AND 150-200A BRANCH BREAKERS ONLY. TOTAL CIRCUIT BREAKER HANDLE RATING NOT TO EXCEED 170A PER BRANCH CIRCUIT CONNECTOR.

A SQUARE D UL LISTED SECONDARY SURGE ARRESTER MAY PLUG ON TWO ADJACENT SPACES. ORDER CATALOG NO. HOM2175SB

**SC816F150PS  
SC816F200PS**

AMPERE RATING	BUS RATING (AMPS)	FACTORY INSTALLED BYPASS TYPE	SHORT CIRCUIT CURRENT RATING	CATALOG NUMBER	SERIES	SPACES	LINE SIDE PHASE & NEUTRAL LUGS (AWG/KCMIL)	MAXIMUM NUMBER OF SINGLE POLE HOM CIRCUITS	FEED THROUGH LUGS PHASE & NEUTRAL (AWG/KCMIL)	LARGE BRANCH NEUTRAL AWG
150	225	NONE	22K	SC816F150PS	M01	8	16	#4-250 CU/AL	#6-250 CU/AL	#14-2/0 CU/AL
200	225			SC816F200PS						

DUAL DIMENSIONS: INCHES MILLIMETERS

NOTES:  
FINISH - GRAY BAKED ENAMEL POWDER COAT PAINT OVER CLEANED GALVANNEALED STEEL.  
MAXIMUM SYSTEM VOLTAGE: 120/240 VAC 1 Ø 3W.  
UL LISTED - FILE E-6294  
SUITABLE ONLY FOR USE AS SERVICE EQUIPMENT.  
SUITABLE FOR UNDERGROUND/OVERHEAD SERVICE.  
MEETS EUSERC SPECIFICATIONS.

COMBINATION SERVICE ENTRANCE DEVICES RING TYPE RAINPROOF NEMA TYPE 3R ENCLOSURE SURFACE ONLY	 <b>by Schneider Electric</b>
	DWG# PWFDS-SYRS-0089 NO.