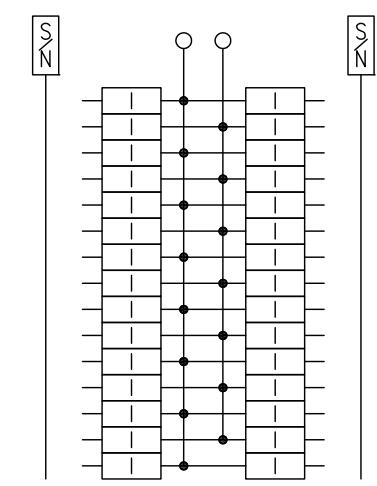
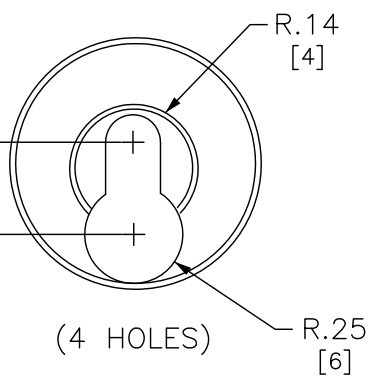
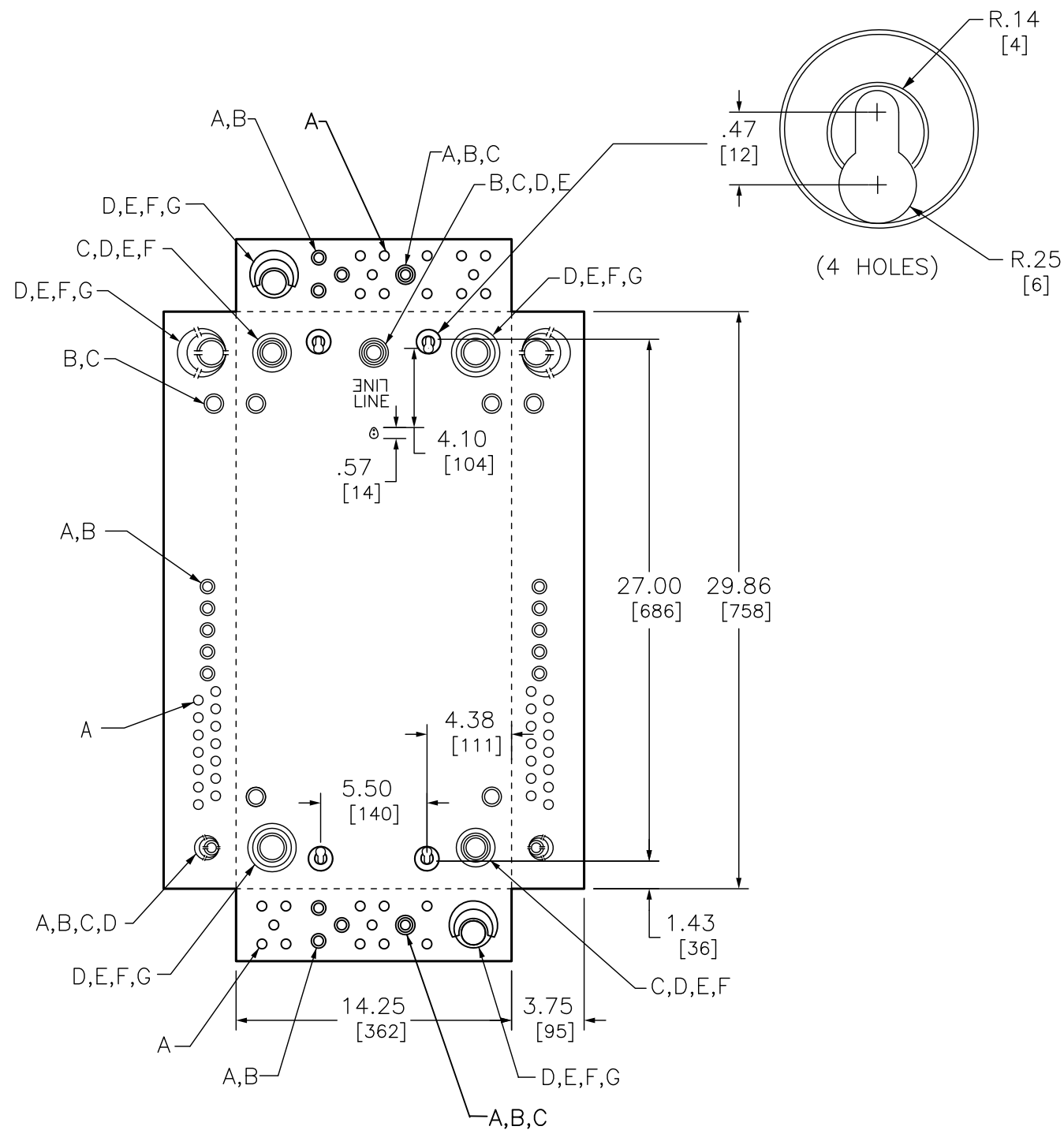


KNOCKOUTS							
SYMBOL	A	B	C	D	E	F	G
IN	.50	.75	1.00	1.25	1.50	2.00	2.50
MM	13	19	25	32	38	51	64



QO130M200P
QO130L200PG

DUAL DIMENSIONS: INCHES
MILLIMETERS

CATALOG NUMBER	MAXIMUM SYSTEM VOLTAGE	MAINS AMPERE RATING	SPACES	MAXIMUM NUMBER OF SINGLE POLE CIRCUITS	MAIN WIRE SIZE AWG AL/CU
QO130M200P	120/240VAC 1Ø 3W	200	30	30	#4-250
QO130L200PG	120/240VAC 1Ø 3W	200	30	30	#4-250

NOTES:
FINISH - GRAY BAKED ENAMEL ELECTRODEPOSITED OVER CLEANED PHOSPATIZED STEEL.
UL LISTED - FILE E-6294
NEUTRALS - INSULATED GROUNDABLE.
LOAD CENTERS WITH "P" IN CATALOG NUMBER INCLUDE EXTENDED NEUTRALS FROM PLUG ON NEUTRAL READY INTERIORS.

QO Plug-on Neutral Load Centers
GENERAL PURPOSE NEMA TYPE 1 ENCLOSURE
INDOOR

SQUARE D
by Schneider Electric

DWG# PWFDS-SYRS-0052
NO.