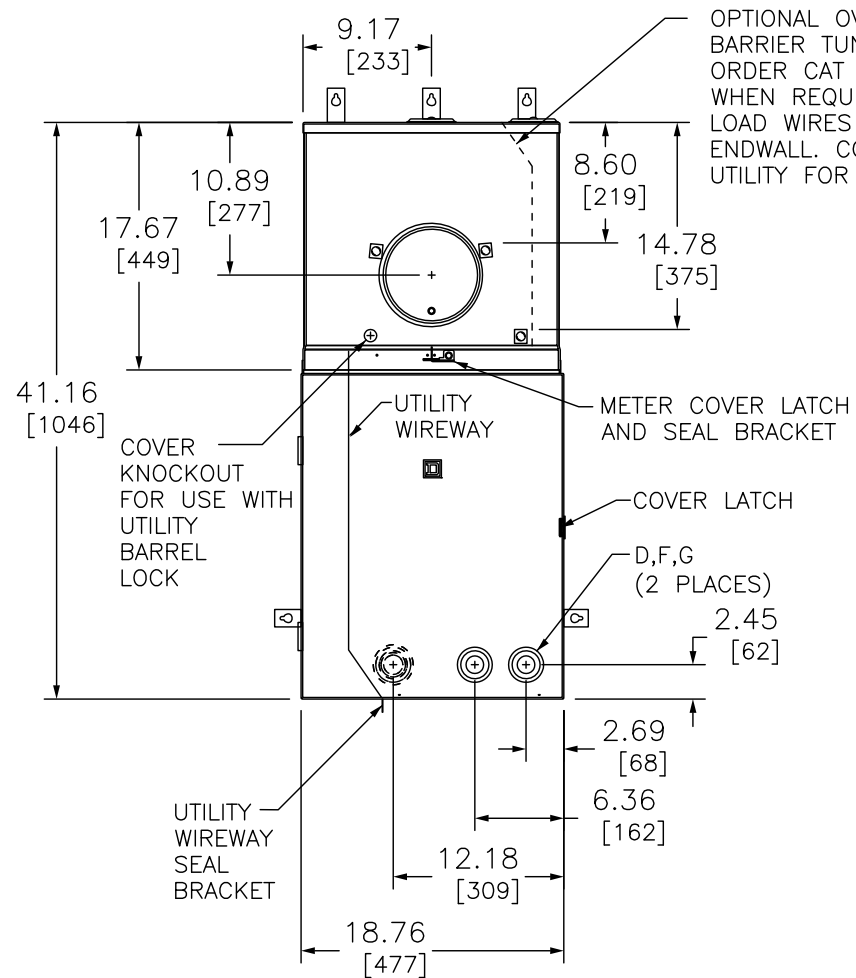
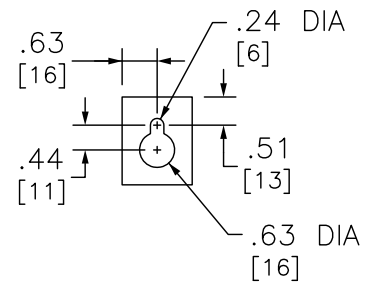
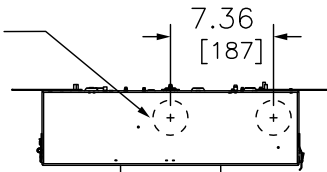
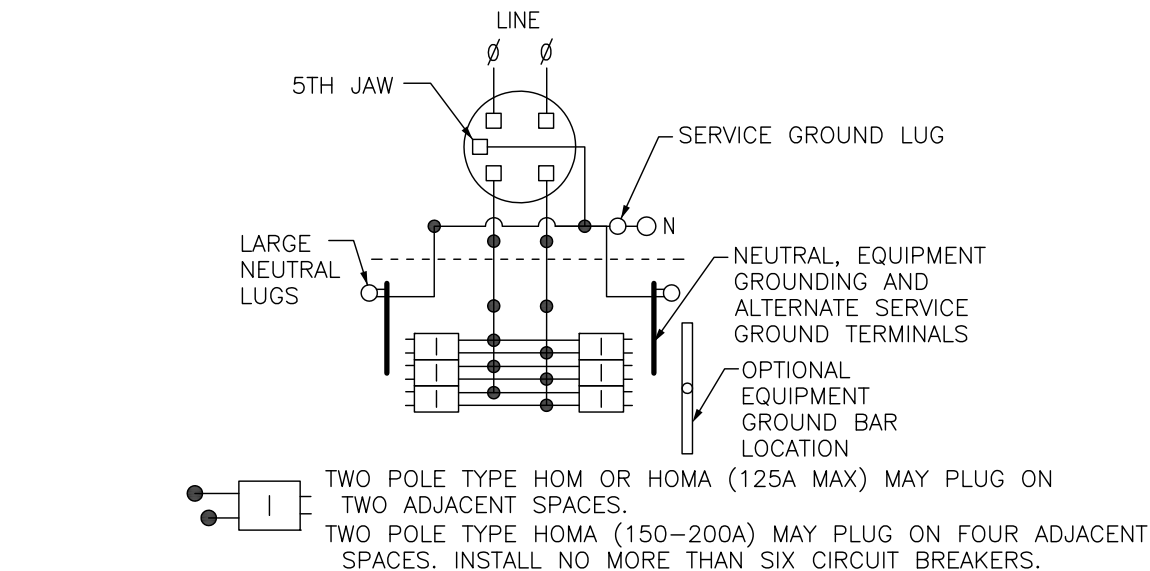
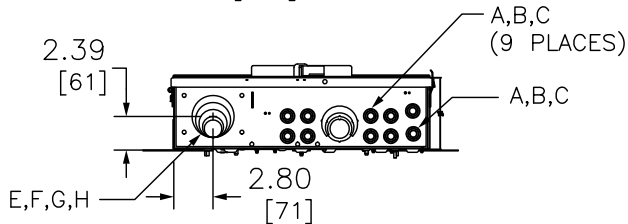
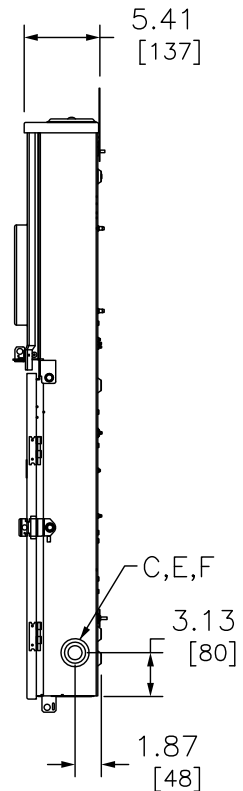


2.50/[64] MAX  
A HUB  
(2 LOCATIONS)  
SUPPLIED WITH  
CLOSING PLATE

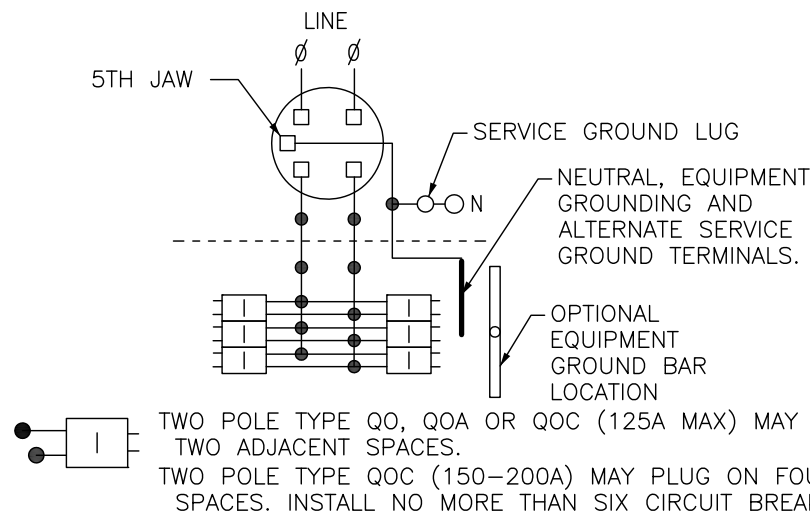


OPTIONAL OVERHEAD  
BARRIER TUNNEL KIT.  
ORDER CAT NO OHBS  
WHEN REQUIRED FOR  
LOAD WIRES TO EXIT TOP  
ENDWALL. CONSULT  
UTILITY FOR APPROVAL.



TOTAL CIRCUIT BREAKER HANDLE RATING NOT TO EXCEED 160A PER CIRCUIT CONNECTOR.  
A SQUARE D UL LISTED SECONDARY SURGE ARRESTER MAY PLUG ON TWO ADJACENT SPACES. ORDER CATALOG NO HOM2175SB.

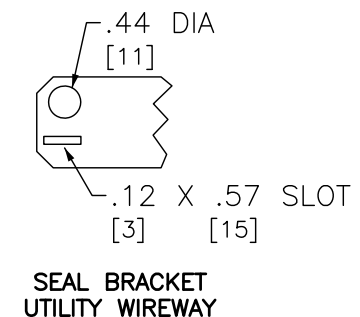
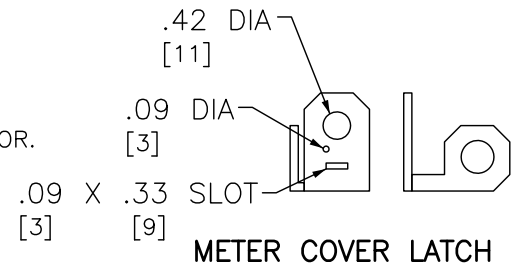
**RC12L200S**



TOTAL CIRCUIT BREAKER HANDLE RATING NOT TO EXCEED 160A PER CIRCUIT CONNECTOR.  
A SQUARE D UL LISTED SECONDARY SURGE ARRESTER MAY PLUG ON TWO ADJACENT SPACES. ORDER CATALOG NO QO2175SB.

**QC12L200S**

SYMBOL	CONDUIT SIZE		HOLE DIA	
	IN	MM	IN	MM
A	.50	13	.87	22
B	.75	19	1.12	28
C	1.00	25	1.37	35
D	1.25	32	1.75	44
E	1.50	38	2.00	51
F	2.00	51	2.50	64
G	2.50	64	3.00	76
H	3.00	76	3.62	92



DUAL DIMENSIONS: INCHES  
MILLIMETERS

MAINS AMPERE RATING	FACTORY INSTALLED BYPASS TYPE	SHORT CIRCUIT CURRENT RATING	CATALOG NUMBER	SERIES	SPACES	MAXIMUM NUMBER OF TWO POLE QO CIRCUITS	MAXIMUM NUMBER OF TWO POLE HOM CIRCUITS	LINE SIDE PHASE & NEUTRAL LUGS AWG/KCMIL	SERVICE GROUND LUG AWG/KCMIL
200	NONE	42K	QC12L200S	M01	12	6	-	#6-350 CU/AL	#14-2/0 CU #12/2/0 AL
	NONE	10K	RC12L200S			-	6		

NOTES:  
FINISH - GRAY BAKED ENAMEL POWDER COAT PAINT OVER CLEANED GALVANNEALED STEEL.  
MAXIMUM SYSTEM VOLTAGE: 120/240VAC, 1Ø3W, 50-60HZ, 208Y/120VAC, 1Ø3W, 50-60HZ (FROM A 3Ø4W SYSTEM)  
UL LISTED - FILE E-6294, VOL M  
SUITABLE ONLY FOR USE AS SERVICE EQUIPMENT. INSTALL NO MORE THAN SIX MAIN DISCONNECT MEANS.  
SUITABLE FOR UNDERGROUND/OVERHEAD SERVICE.

COMBINATION SERVICE ENTRANCE DEVICES  
RINGLESS TYPE METER MAIN 12 CIRCUIT  
RAINFOOF NEMA TYPE 3R ENCLOSURE  
SURFACE MOUNT ONLY



DWG# PWFDS-SYRS-0044  
NO.