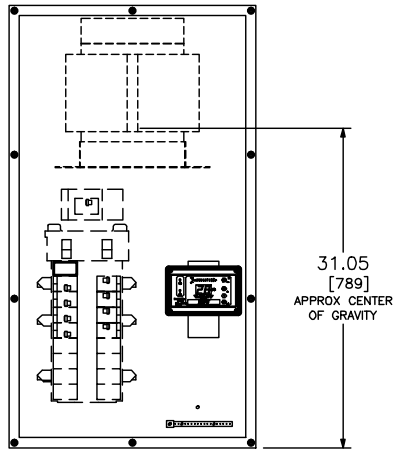
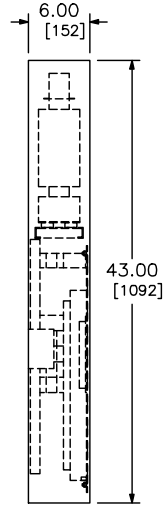
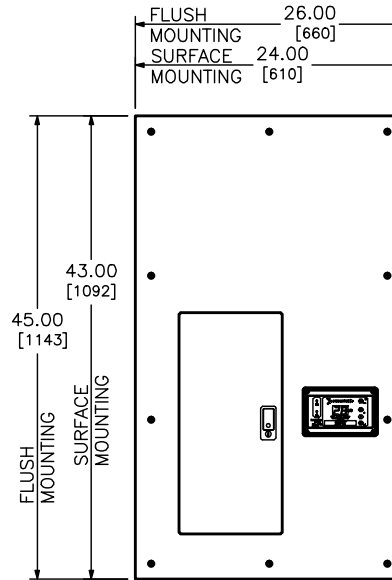


END WALL
CONDUIT ENTRANCE
TOP & BOTTOM



BOX WITH INTERIOR

BOX SIDE



TYPICAL FRONT

DUAL DIMENSIONS: INCHES
MILLIMETERS

PRI V TO SEC V	208 TO 120	240 TO 120	277 TO 120	480 TO 120
INTERIOR CATALOG NO. (1)	SIP05BA	SIP05CA	SIP05DA	SIP05EA
INTERIOR DESCRIPTION	5kVA ISOLATION POWER PANEL, NO INTERIOR CONTAINING EIGHT 20A 2-POLE PLUG-ON BREAKERS, SPACE FOR EIGHT 2-POLE, (20A MAX) IG6 LINE ISOLATION MONITOR, GROUND BAR WITH 20 TERMINALS			
CB MAIN	QO 30A 2-POLE	QO 30A 2-POLE	HG 25A 2-POLE	HG 15A 2-POLE
TRANSFORMER CATALOG NO. (1)	SXM05BA	SXM05CA	SXM05DA	SXM05EA
TRANSFORMER DESCRIPTION	5kVA, SINGLE PHASE, 115°C RISE, 180 C INSULATION, ELECTROSTATIC SHIELD, 40dB SOUND LEVEL, 60 HERTZ (a)			
TRANSFORMER WEIGHT	85 POUNDS			
BOX CATALOG NO. (1)	SB432406 (FLUSH) SB432406S (SURFACE)			
TRIM CATALOG NO. (2)	ST4526 (FLUSH) ST4324 (SURFACE)			

SEISMIC QUALIFICATION:
TO BE COMPLIANT WITH THE SEISMIC REQUIREMENTS OF ASCE/SEI 7.
THIS UNIT HAS BEEN QUALIFIED BY SHAKE TESTING THROUGH SELF CERTIFICATION
TO ICC ES AC156.

- (1) SEPARATE LINE ITEM, ORDER AND SHIP SEPARATE
- (2) SEPARATE LINE ITEM, ORDER AND SHIP SEPARATE, SELECT ONLY ONE.
- (a) MAXIMUM LEAGAGE IN COMPLIANCE OF UL 1047 TABLES 30.1 & 30.2 AND CSA Z32.2

NOTES:
UL LISTED AND CSA
FRONT: BRUSHED STAINLESS STEEL
BOX: PAINTED STEEL OR GALVANIZED STEEL
TRANSFORMER ORDERED AND SHIPPED SEPARATE FOR FIELD INSTALLATION

5 kVA ISOLATED POWER PANEL:
INTERIOR, TRANSFORMER, BACKBOX, AND TRIM
(SURFACE OR FLUSH)



DWG# PWEQP-PBSWB-0002
NO.