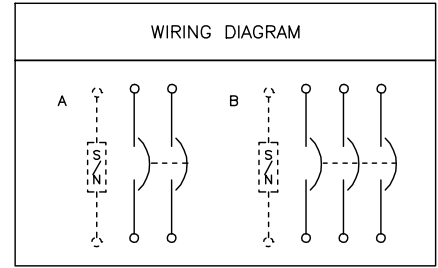
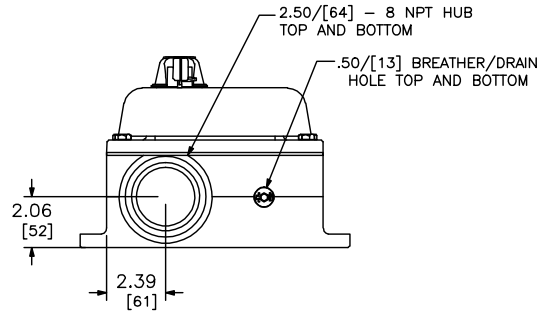
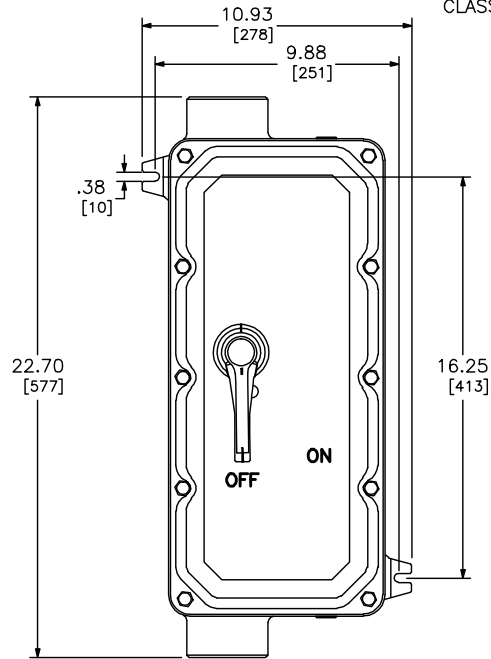
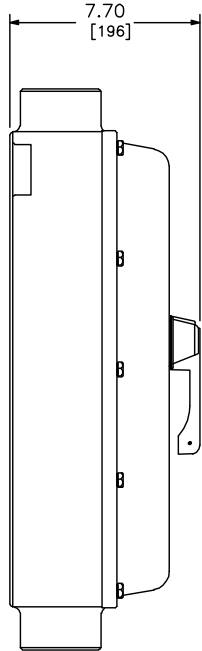


J225X TYPE 3, 7 (HAZARDOUS LOCATIONS CLASS 1 (GROUP C&D)
CLASS II (GROUPS E,F&G), & CLASS III))



CIRCUIT BREAKER TERMINAL LUG DATA					
CIRCUIT BREAKER CATALOG NO PREFIX	AMPERE RATING	CONDUCTORS PER PHASE	WIRE SIZE (AWG/KCMIL)		TYPE
			MAX	MIN	
JDL, JGL	150-175	1	4/0	#4	CU
JDL, JGL	200-225	1	3/0	350	CU

DUAL DIMENSIONS: INCHES
MILLIMETERS

FIELD INSTALLABLE SOLID NEUTRAL ASSEMBLY						
CATALOG NUMBER	AMPERE RATING	NUMBER OF TERMINALS	CONDUCTORS PER TERMINAL	WIRE SIZE		TYPE
				MAX.	MIN	
225SNA	225A	2	1	300 KCMIL	#4 AWG	CU
		1	1	#4 AWG	#14 AWG	CU

FIELD INSTALLED CIRCUIT BREAKER DATA						
CIRCUIT BREAKER CATALOG NO PREFIX	WIRING DIA	AMPERE RATING	UL LISTED INTERRUPTING RATING RMS SYMMETRICAL AMPERES			
			AC VOLTAGE			DC VOLTAGE
			240	480	600	
JD	A B	150-225	25	18	14	20
JG	A B	150-225	65	35	18	20

- NOTES:
 FINISH - ALUMINUM LACQUER ON CAST ALUMINUM.
 NEUTRAL - INSULATED GROUNDABLE.
 SUITABLE FOR USE AS SERVICE EQUIPMENT WHEN NEUTRAL ASSEMBLY IS INSTALLED.
 USE 75°C COPPER WIRE ONLY.
 ● PKDB-1, BREATHER AND DRAIN KIT INCLUDED FOR OUTDOOR USE.
 THE SHORT CIRCUIT CURRENT RATING IS EQUAL TO THE LOWER OF THE RATINGS MARKED ON THE ENCLOSED CIRCUIT BREAKER, OR THE RATINGS ON THE NAMEPLATE.

CIRCUIT BREAKER ENCLOSURES
 150-225 AMPERE
 ENCLOSURE - TYPE 3,7 HAZARDOUS LOCATIONS



DWG# PWCCB-SW-0004
 NO.