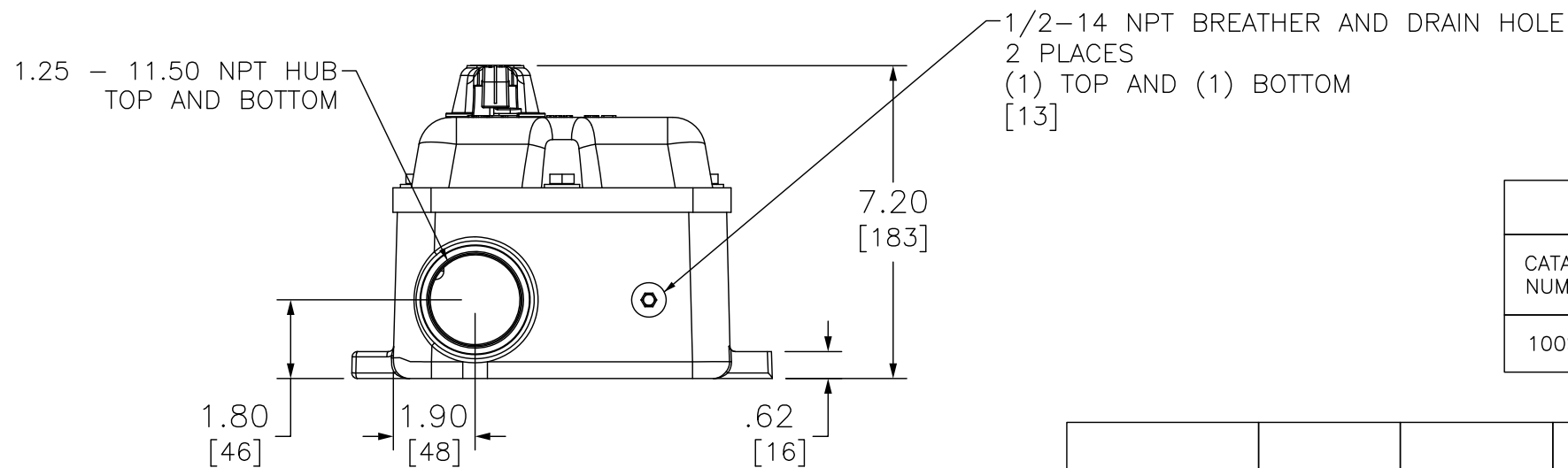


NOTES:
 * NEMA/EEMAC TYPE 7 / 9 HAZARDOUS LOCATIONS
 CLASS I, GROUPS C & D
 CLASS I, ZONES 1 & 2, GROUPS IIB, IIA
 CLASS II, GROUPS E, F & G
 CLASS III



DUAL DIMENSIONS: INCHES
MILLIMETERS

FIELD INSTALLABLE SOLID NEUTRAL ASSEMBLY						
CATALOG NUMBER	MAXIMUM AMPERE RATING	NUMBER OF TERMINALS	CONDUCTORS PER TERMINALS	WIRE SIZE (AWG)		TYPE
				MAX	MIN	
100SNA	100A	2	1	#1/0	#14	AL/CU
		1	1	#4	#14	AL

NOTES:
 FINISH - ALUMINUM LACQUERED ON CAST ALUMINUM.
 UL / cULus LISTED - FILE E-10673
 SUITABLE FOR USE AS SERVICE EQUIPMENT WHEN NEUTRAL ASSEMBLY IS INSTALLED (USA ONLY)
 USE 75 °C COPPER WIRE ONLY.
 USE #3 AWG COPPER WIRE MAXIMUM FOR 100A RATING.
 PKDB1, BREATHER AND DRAIN KIT INCLUDED FOR OUTDOOR USE.
 THIS SWITCH IS SUITABLE FOR USE ON A CIRCUIT CAPABLE OF DELIVERING NOT MORE THAN 10,000 RMS SYMMETRICAL AMPERES, 600 VOLTS MAX. WHEN PROTECTED BY CLASS H OR K FUSES RATED 100 AMPS MAX.
 # AUTOMATIC MOLDED CASE SWITCH, CATALOG NUMBER BDL36000S12 IS FACTORY INSTALLED.⊕
 © AUTOMATIC MOLDED CASE SWITCH, CATALOG NUMBER BDL36000S12AA IS FACTORY INSTALLED.

CATALOG NUMBER	SERIES	AMPERE RATING	VOLTAGE RATINGS	HORSEPOWER RATINGS		
				240VAC - 3PH	480VAC - 3PH	600VAC - 3PH
● # H100XBD	A01	100	600VAC:250VDC	30	60	75
● © H100XBDA	A01	100	600VAC:250VDC	30	60	75

HEAVY DUTY SAFETY SWITCHES
 ENCLOSED MOLDED CASE SWITCH
 FOR HAZARDOUS LOCATIONS
 100 AMPERE MAXIMUM
 NEMA 7/9*



DWG# PWCCB-SAFSW-0027
 NO.