

NOTES:
FINISH - GRAY BAKED ENAMEL
SHORT CIRCUIT CURRENT RATING:
10,000 AMPERES WHEN PROTECTED BY CLASS H OR K FUSES.
100,000 AMPERES WHEN PROTECTED BY CLASS J, CLASS R OR CLASS T FUSES.
DTU LINE DEVICES ARE LOAD-MAKE, LOAD-BREAK.
UL LISTED - FILE E-5239-G AND cUL LISTED FOR USE IN CANADA.
SUITABLE FOR USE AS SERVICE EQUIPMENT IN US ONLY.
● SERVICE GROUND SUPPLIED BY FACTORY. PART NUMBER FOR REPLACEMENT PURPOSES ONLY.
▲ USE ANY TWO SWITCHING POLES.

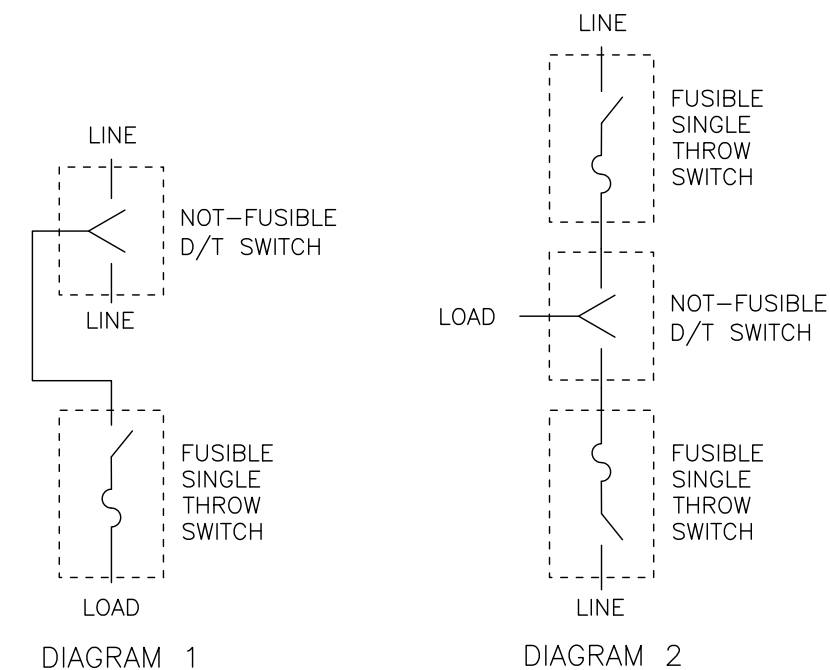
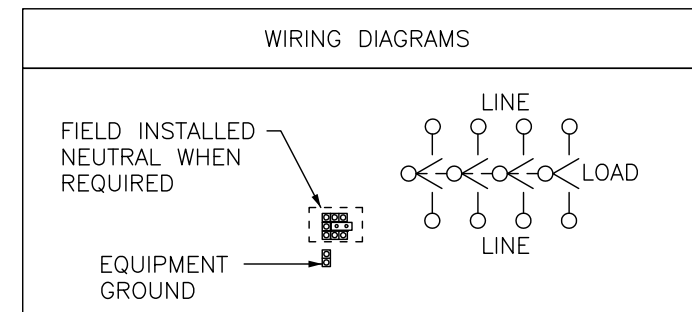


DIAGRAM 1 AND 2 ILLUSTRATE METHODS OF APPLYING FUSES TO DOUBLE THROW SWITCHES WHEN REQUIRED.

DUAL DIMENSIONS: INCHES
MILLIMETERS

HORSEPOWER RATING			
VOLTAGE	PHASE	STD	MAX
240VAC	3	125	---
480VAC	3	250	---
600VAC	3	350	---
250VDC	---	50	---

FIELD INSTALLABLE ACCESSORIES	
NEUTRAL KIT	DT400NKD
ELECTRICAL INTERLOCK	DS200EK2D
EQUIPMENT GROUND ●	DS468GKD

CATALOG NUMBER	VOLTAGE RATINGS	TERMINAL LUGS			
		AMPERES	MAX WIRE	MIN WIRE	TYPE
DTU465	600VAC/250VDC	400	(1) 750 KCMIL	(2) 1/0	AL/CU
DTU465R	600VAC/250VDC				

4 POLE DOUBLE THROW SAFETY SWITCHES
400 AMPERE
ENCLOSURE - NEMA TYPE 1, 3R, 12, 4X GENERAL PURPOSE



DWG# PWCCB-SAFSW-0026
NO.