

KNOCKOUTS				
SYMBOL	CONDUIT SIZE		DIAMETER	
	IN	MM	IN	MM
C	1.00	25	1.38	35
E	1.50	38	2.00	51
F	2.00	51	2.50	64
G	2.50	64	3.00	76
H	3.00	76	3.63	92

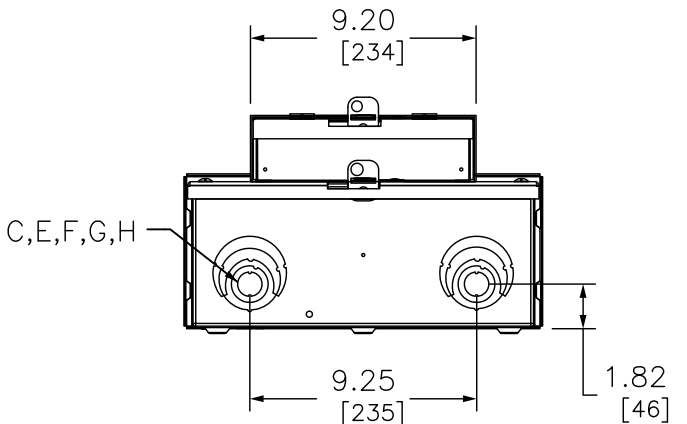
*J250RT
NEMA TYPE 3R

DO NOT USE 2 POLE HD
OR HG BREAKERS IN
THIS ENCLOSURE

CIRCUIT BREAKER TERMINAL LUG DATA					
CIRCUIT BREAKER CATALOG NO. PREFIX	AMPERE RATING	CONDUCTORS PER PHASE	WIRE SIZE (AWG/KCMIL)		TYPE
			MAX	MIN	
HD, HG HJ, HL, HR	15-150	1	#3/0	#14	AL/CU
JD, JG JJ, JL, JR	150-175	1	#4/0	#4	AL/CU
	200-250	1	350	#3/0	

FIELD INSTALLABLE SOLID NEUTRAL ASSEMBLIES AND GROUND KIT						
CATALOG NUMBER	MAXIMUM AMPERE RATING	NUMBER OF TERMINALS	CONDUCTORS PER TERMINAL	WIRE SIZE (AWG/KCMIL)		TYPE
				MAX	MIN	
SN100FA	100A	2	1	#1/0	#14	CU
				#1/0	#12	AL
SN400LA	250A	2	1 OR 2	#600	#1	AL OR CU
				#250	#1	AL OR CU
				#300	#4	AL OR CU
PKOGTJ250	250A	2	1	#300	#6	AL OR CU
PKOGTH150	150A	2	1	#2	#14	AL OR CU

FOR 200% NEUTRALS USE SN400LA (AMP RANGE 100 TO 250, CU WIRE ONLY).



SEISMIC NOTES:
USE (4) 1/4" DIA GRADE 5 STEEL MOUNTING BOLTS @ HOLES AA
MAX CONFIGURED WEIGHT 38 LB FOR THE PURPOSE OF DETERMINING
SEISMIC ANCHORAGE REQUIREMENTS. FOR ALL OTHER APPLICATIONS,
CONTACT SCHNEIDER ELECTRIC.

DUAL DIMENSIONS: INCHES
MILLIMETERS

FIELD INSTALLABLE CIRCUIT BREAKER DATA										
CIRCUIT BREAKER CATALOG NO PREFIX	WIRING DIAG	AMPERE RATING	UL LISTED INTERRUPTING RATING RMS SYMMETRICAL AMPERES							
			AC VOLTAGE				DC VOLTAGE			
			240	480Y/277	480	600Y/347	600	125	250	500
*HD	B	15-150	25K	18K	18K	14K	14K	20K	20K	-
JD	A,B	150-250	25K	18K	18K	14K	14K	20K	20K	-
*HG	B	15-150	65K	35K	35K	18K	18K	20K	20K	-
JG	A,B	150-250	65K	35K	35K	18K	18K	20K	20K	-
HJ	A,B	15-150	100K	65K	65K	25K	25K	20K	20K	-
JJ	A,B	150-250	100K	65K	65K	25K	25K	20K	20K	-
HL	A,B	15-150	125K	65K	65K	25K	25K	20K	20K	-
JL	A,B	150-250	125K	65K	65K	25K	25K	20K	20K	-
HR	A,B	15-150	125K	65K	65K	25K	25K	20K	20K	-
JR	A,B	150-250	125K	65K	65K	25K	25K	20K	20K	-

NOTES:
FINISH - NEMA/EEMAC TYPE 3R GRAY BAKED ENAMEL ELECTRODEPOSITED OVER CLEANED PHOSPHATIZED STEEL.
cULus LISTED - FILE E-136861
SUITABLE FOR USE AS SERVICE EQUIPMENT WHEN NEUTRAL ASSEMBLY IS INSTALLED.
NEUTRAL - INSULATED GROUNDABLE.
*DO NOT USE 2 POLE HD OR HG BREAKERS IN J250RT ENCLOSURES. ENCLOSURES ACCEPT STANDARD 80% RATED OR 100% RATED CIRCUIT BREAKERS. WHEN USING 100% RATED CIRCUIT BREAKERS USE ONLY WITH 90°C (MIN) RATED WIRE SIZED PER AMPACITY OF 75°C CONDUCTOR.

CIRCUIT BREAKER ENCLOSURES
15-250 AMPERE
NEMA/EEMAC TYPE 3R RAINPROOF ENCLOSURE
WITH TRIP ACCESS COVER



DWG# NO. PWCCB-ENCCB-0017S