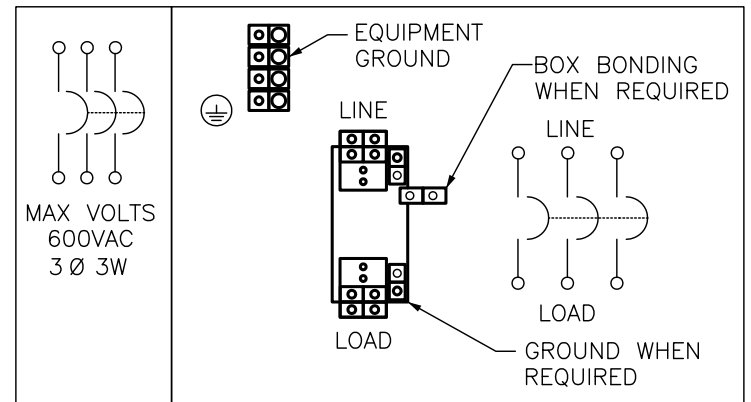


NOTES:
 FINISH - GRAY POWDER COAT ELECTRODEPOSITED OVER CLEANED PHOSPHATIZED STEEL.
 NEUTRAL - INSULATED GROUNDABLE.
 SUITABLE FOR USE AS SERVICE EQUIPMENT WHEN NEUTRAL ASSEMBLY IS INSTALLED AND BONDED USA ONLY.
 FOR CANADA SERVICE ENTRANCE APPLICATIONS ORDER CL600NAWK.
 ENCLOSURE SUPPLIED WITH DUAL COVER INTERLOCK. NO KNOCKOUTS
 THE SHORT CIRCUIT CURRENT RATING OF THIS ENCLOSED CIRCUIT BREAKER IS EQUAL TO THE INTERRUPTING RATING INDICATED ON THE CHART ABOVE, MAY BE LESS THAN THE AIR RATING INDICATED ON THE INSTALLED CIRCUIT BREAKER.
 ENCLOSURES ACCEPT 80% RATED L-FRAME CIRCUIT BREAKERS, 600A MAX OR 100% RATED L-FRAME CIRCUIT BREAKERS.
 400A MAX 3 POLE BREAKERS WITH STANDARD TRIP UNIT LI AND LSI CAN BE USED FOR 2 POLE APPLICATIONS.
 ENCLOSURES SUITABLE FOR NEMA AND EEMAC TYPE 3R APPLICATIONS BY REMOVING DRAIN SCREW FROM BOTTOM END WELL.

L600AWK
 cULus FILE E-136861
 L600AWKMC
 cULus FILE E-136861
 L600AWKVW
 VIEWING WINDOW ON THE COVER
 cULus FILE E-136861
 CL600NAWK
 NEUTRAL FACTORY INSTALLED AND BONDED
 SUITABLE FOR USE AS SERVICE EQUIPMENT IN CANADA
 cUL FILE E-136861



FIELD INSTALLABLE SOLID NEUTRAL									
NEUTRAL TERMINATION						NEUTRAL GROUND TERMINATION			
CATALOG NUMBER	MAXIMUM AMPERE RATING	NUMBER OF TERMINALS IN	NUMBER OF TERMINALS OUT	NUMBER OF CONDUCTORS PER TERMINALS	WIRE SIZE (AWG/KCMIL)	NUMBER OF TERMINALS	NUMBER OF CONDUCTORS PER TERMINALS	WIRE SIZE (AWG/KCMIL)	CONDUCTOR TYPE
SN400LA	400A	1	1	1	#1-600	2	1	#4-300	AL-CU
		1	1	2	#1/0-250				
SNC400LX	400A	1	1	1	#2-600	2	1	#6-250	CU
SNC800LX	800A	2	2	1	#2-600	1	1	#2-4/0	CU
SN1000MA	1000A	3	3	1	#3/0-500	1	1	#4-4/0	AL-CU
*SN600LXCT	600A	2	2	1	#3/0-500	2	1	#2-4/0	CU

*ORDER POWERPACT™ L NEUTRAL CURRENT TRANSFORMER SEPARATELY S432575. THE S432575 IS NOT INCLUDED ON THE SN600LXCT NEUTRAL ASSEMBLY.

SEISMIC NOTES:
 USE (4) 1/4" DIA GRADE 5 STEEL MOUNTING BOLTS @ HOLES AA
 MAX CONFIGURED WEIGHT 140 LB FOR THE PURPOSE OF DETERMINING SEISMIC ANCHORAGE REQUIREMENTS. FOR ALL OTHER APPLICATIONS, CONTACT SCHNEIDER ELECTRIC.

EQUIPMENT GROUND KIT					
CATALOG NUMBER	MAXIMUM AMPERE RATING	NUMBER OF TERMINALS	NUMBER OF CONDUCTORS PER TERMINALS	WIRE SIZE (AWG/KCMIL)	CONDUCTOR TYPE
PKOGTA4	600	4	1	6-250	AL OR CU

DUAL DIMENSIONS: INCHES
 MILLIMETERS

CIRCUIT BREAKER MECHANICAL LUG TERMINAL DATA					
DESCRIPTION	AMPERES	CONDUCTORS PER PHASE	WIRE SIZE		TYPE
			MIN	MAX	
ALL LUGS FOR USE WITH AL OR CU WIRE	250	1	2	500	AL
			2	600	CU
CU LUGS FOR USE WITH CU WIRE ONLY	400-600	2	2/0	500	AL OR CU
			250	1	2
	400-600	2	2/0	500	CU

FIELD INSTALLED CIRCUIT BREAKER DATA							
CIRCUIT BREAKER CATALOG NO PREFIX	NUMBER POLES	SENSOR RATING	UL LISTED INTERRUPTING RATING RMS SYMMETRICAL AMPERES				FEDERAL SPECS W-C375B/GEN
			AC VOLTAGE				
			240	480Y/277	480	600	
LDL	3	250-600	25KA	18KA	18KA	14KA	23A
LGL	3	250-600	65KA	35KA	35KA	18KA	23A
LJL	3	250-600	100KA	65KA	65KA	25KA	23A
LLL	3	250-600	125KA	100KA	100KA	50KA	23A
LRL	3	250-600	200KA	200KA	200KA	100KA	23A

L600AWK, L600AWKMC, CL600NAWK OR L600AWKVW
 CIRCUIT BREAKER ENCLOSURE - SEISMIC
 250-600 AMPERE
 NEMA/EEMAC TYPE 1, 3, 3R, 5 OR 12



DWG# PWCCB-ENCCB-0015
 NO.