

A

B

C

D

A

B

C

D

This technical information contained in this document is the exclusive property of Schneider Electric Industries S.A.S and cannot be used or disclosed to third parties of any kind without its written consent. Only those drawings and diagrams permitted after order booking are binding for execution. All devices shown in this diagrams are in open position, drawn out with operating mechanism disassembled and all power sources off.

Les informations techniques contenues dans ce document sont la propriété exclusive de Schneider Electric Industries S.A.S et ne peuvent être utilisées ou divulguées à des tiers quels qu'ils soient sans son accord écrit. Seuls nos engagements pour l'exécution des plans et schémas remis après enregistrement de la commande. Les appareils représentés sur ce schéma sont en position ouverte, démontés - toutes sources coupées.

**FUNCTIONAL PLATE PS24DC40-A0
POWER SUPPLY 40A
GENERATION AND PROTECTION
24VDC 4 OUTPUT
WITH ELECTRONIC CIRCUIT BREAKER**

FUNCTIONAL PLATE PS24DC40 POWER SUPPLY 40A GENERATION AND PROTECTION 24VDC 4 OUTPUT	CELLEAN OFFER
---	---------------

Echelle Scale	1/1		
Unite / Department			

Code diffusion Distribution code	Project - No commande Project - Order No.	QGH7746903	Indice Rev	Folio Sheet
			00	001

00	27/02/2017	Edition originale / First issue	AKKA	O.MEURANT	A.PERRIN				
Ind	Date	Modification / Modification	Nom / Name	Visa	Nom / Name	Visa	Nom / Name	Visa	Archiv. Micro-filmed
Rev	Date		Dessine / Drawn		Verifie / Checked		Approuve / Approved		

This technical information contained in this document is the exclusive property of Schneider Electric Industries S.A.S. and cannot be used or disclosed to third parties of any kind without its written consent. Only those drawings and diagrams permitted after order booking are binding for execution. All devices shown in this diagrams are in their normal position. Drawn out with operating mechanism discharged and all power sources off.

Les informations techniques contenues dans ce document sont la propriété exclusive de Schneider Electric Industries S.A.S. et ne peuvent être utilisées ou divulguées à des tiers sans le consentement écrit de Schneider Electric Industries S.A.S. Seuls les schémas et plans autorisés après commande sont contraignants pour l'exécution. Tous les appareils représentés sur ce schéma sont en position normale. Dessiné avec le mécanisme déchargé et toutes les sources d'alimentation éteintes.

Folio Sheet	Designation Designation	Indice de modification						Folio Sheet	Designation Designation	Indice de modification										
		Revision								Revision										
001	FRONT PAGE	00																		
002	SUMMARY	00																		
003	FUNCTIONAL PLATE	00																		
004	LAYOUT	00																		
005	WIRE LIST	00																		
006	PART LIST	00																		

Archivage
 Microfilm

SUMMARY

CELLEAN OFFER



OGH7746903
 Project - No commande
 Project - Order No.

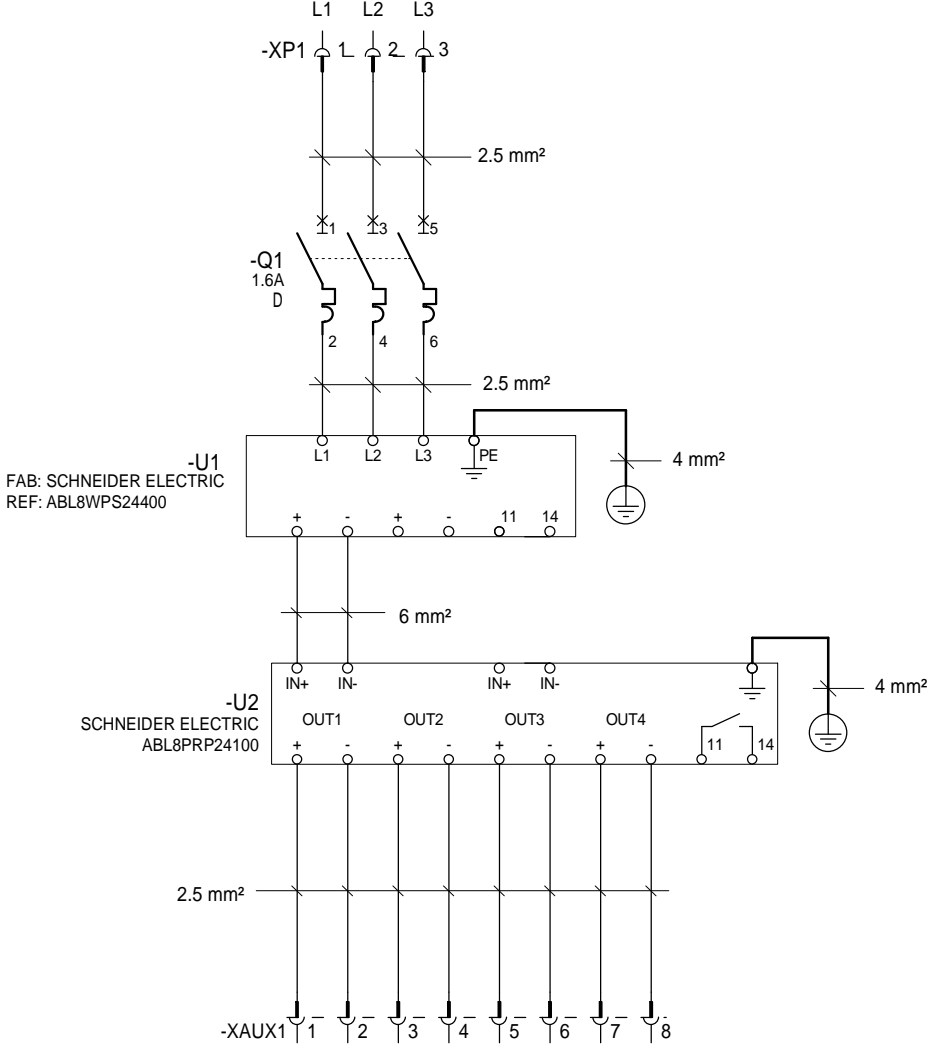
Indice Rev	Folio Sheet
00	002

This technical information contained in this document is the exclusive property of Schneider Electric Industries S.A.S. and cannot be used or disclosed to third parties of any kind without its written consent. Only those drawings and diagrams permitted after order booking are binding for execution. All devices shown in this diagrams are in open position, drawn out with operating mechanism disengaged and all power sources off.

Les informations techniques contenues dans ce document sont la propriété exclusive de Schneider Electric Industries S.A.S. et ne peuvent être utilisées ou divulguées à des tiers sans son accord écrit. Seuls nos engagements par exécution, les plans et schémas remis après enregistrement de la commande. Les appareils représentés sur ce schéma sont en position ouverte - débranchés - toutes sources coupées.

D
+.

1 2 3 4 5 6 7 8 9 10



Output nominal current setting

OUTPUT	I _r
OUT 1	1-10A
OUT 2	1-10A
OUT 3	1-10A
OUT 4	1-10A

FUNCTIONAL PLATE
PS24DC40
POWER SUPPLY 40A
GENERATION AND PROTECTION
24VDC 4 OUTPUT

CELLEAN OFFER



QGH7746903

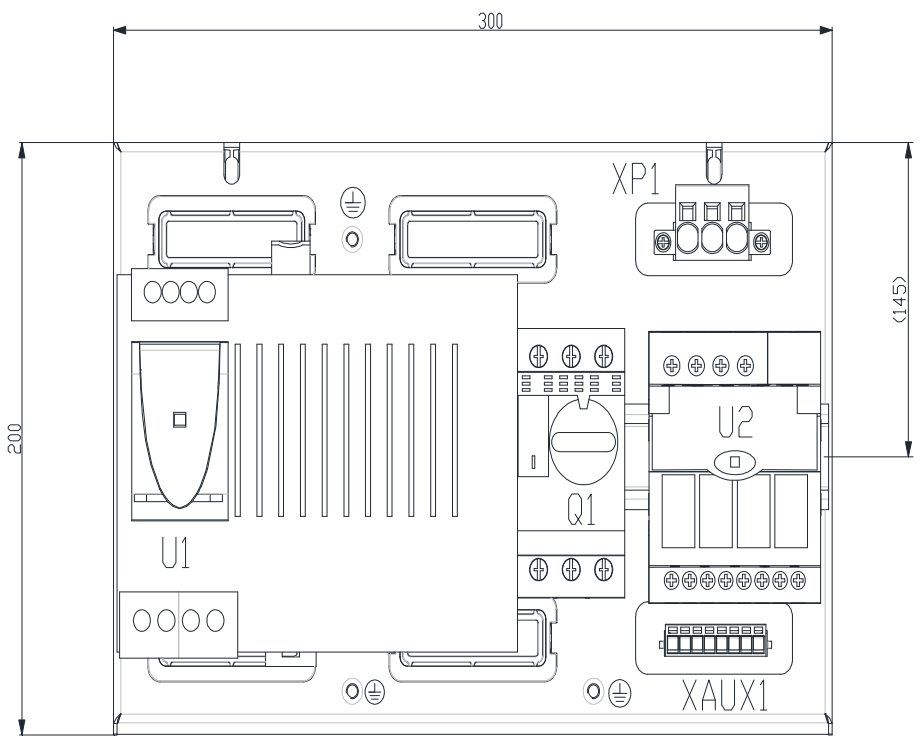
Projet - No commande
Project - Order No.

Indice
Rev
00

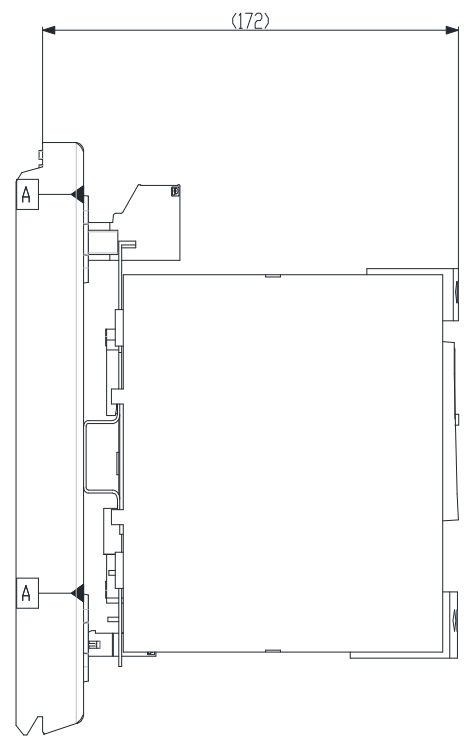
Folio
Sheet
003

This technical information represents the exclusive property of Schneider Electric Industries S.A.S. and cannot be used or disclosed to third parties of any kind without its written consent. Only those drawings and diagrams permitted after order booking are binding for execution. All devices shown in this diagrams are in open position. Drawn out with operating mechanism discharged and all power sources off.

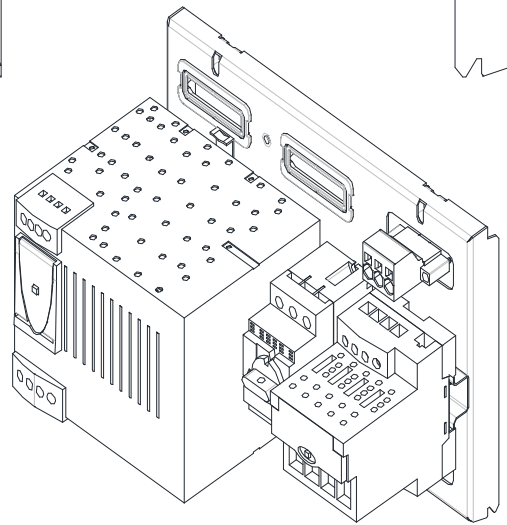
Les informations techniques contenues dans ce document (sauf la propriété exclusive de Schneider Electric Industries S.A.S. et ne peuvent être utilisées ou divulguées à des tiers) sont la propriété de Schneider Electric Industries S.A.S. et ne peuvent être utilisées ou divulguées à des tiers sans son accord écrit. Seuls nos engagements pour exécution des plans et schémas remis après enregistrement de la commande. Les appareils représentés sur ce schéma sont en position ouverte - débranchés - toutes sources coupées.



DO NOT DISCONNECT
THE GROUND WIRE
BEFORE DISCONNECTING
THE LINE CABLES



APPROXIMATE WEIGHT : 4000g



00	27/02/2017	Edition originale								
Ind.	Date	Modification	Archiv.	Ind.	Date	Modification	Archiv.			

LAYOUT
PS24DC40
POWER SUPPLY 40A
GENERATION AND PROTECTION
24VDC 4 OUTPUT

CELLEAN OFFER



QGH7746903	
Projet - No commande	Indice
Project - Order No.	Rev
	00
	Folio
	Sheet
	004

1	2	3		4	5	6	7	8	9		10	
Type of circuit	Electrical Features (A)	Wire Destination		Sheet N°	Designation	Color	Section	Wire Type	Wire routing in cut out	Câble end		
		From	To							From	To	
AUXILIARY CIRCUIT	1.6 A	XP1.1	Q1.1	003	UNIPOLAR INSULATED ELECTRIC CABLE	BLACK	2,5 mm²	H07V-K		CABLE END INSULATED LONG SIZE	CABLE END INSULATED	
		XP1.2	Q1.3	003	UNIPOLAR INSULATED ELECTRIC CABLE	BLACK	2,5 mm²	H07V-K		CABLE END INSULATED LONG SIZE	CABLE END INSULATED	
		XP1.3	Q1.5	003	UNIPOLAR INSULATED ELECTRIC CABLE	BLACK	2,5 mm²	H07V-K		CABLE END INSULATED LONG SIZE	CABLE END INSULATED	
		Q1.2	U1.L1	003	UNIPOLAR INSULATED ELECTRIC CABLE	BLACK	2,5 mm²	H07V-K	BBOTTOM / ATOP	CABLE END INSULATED	CABLE END INSULATED	
		Q1.4	U1.L2	003	UNIPOLAR INSULATED ELECTRIC CABLE	BLACK	2,5 mm²	H07V-K	BBOTTOM / ATOP	CABLE END INSULATED	CABLE END INSULATED	
		Q1.6	U1.L3	003	UNIPOLAR INSULATED ELECTRIC CABLE	BLACK	2,5 mm²	H07V-K	BBOTTOM / ATOP	CABLE END INSULATED	CABLE END INSULATED	
	40A	U1.-	U2.-	003	UNIPOLAR INSULATED ELECTRIC CABLE	BLACK	6 mm²	H07V-K	ABOTTOM / BTOP	CABLE END INSULATED	CABLE END INSULATED	
		U1.+	U2.+	003	UNIPOLAR INSULATED ELECTRIC CABLE	BLACK	6 mm²	H07V-K	ABOTTOM / BTOP	CABLE END INSULATED	CABLE END INSULATED	
	1-10A	U2.+	XAUX1.1	003	UNIPOLAR INSULATED ELECTRIC CABLE	BLACK	2,5 mm²	H07V-K		CABLE END INSULATED	CABLE END INSULATED	
		U2.-	XAUX1.2	003	UNIPOLAR INSULATED ELECTRIC CABLE	BLACK	2,5 mm²	H07V-K		CABLE END INSULATED	CABLE END INSULATED	
	1-10A	U2.+	XAUX1.3	003	UNIPOLAR INSULATED ELECTRIC CABLE	BLACK	2,5 mm²	H07V-K		CABLE END INSULATED	CABLE END INSULATED	
		U2.-	XAUX1.4	003	UNIPOLAR INSULATED ELECTRIC CABLE	BLACK	2,5 mm²	H07V-K		CABLE END INSULATED	CABLE END INSULATED	
	1-10A	U2.+	XAUX1.5	003	UNIPOLAR INSULATED ELECTRIC CABLE	BLACK	2,5 mm²	H07V-K		CABLE END INSULATED	CABLE END INSULATED	
		U2.-	XAUX1.6	003	UNIPOLAR INSULATED ELECTRIC CABLE	BLACK	2,5 mm²	H07V-K		CABLE END INSULATED	CABLE END INSULATED	
	1-10A	U2.+	XAUX1.7	003	UNIPOLAR INSULATED ELECTRIC CABLE	BLACK	2,5 mm²	H07V-K		CABLE END INSULATED	CABLE END INSULATED	
		U2.-	XAUX1.8	003	UNIPOLAR INSULATED ELECTRIC CABLE	BLACK	2,5 mm²	H07V-K		CABLE END INSULATED	CABLE END INSULATED	
			U1.PE	MM	003	UNIPOLAR INSULATED ELECTRIC CABLE	G/Y	4 mm²	H07V-K		CABLE END INSULATED	CABLE END INSULATED
			U2.PE	MM	003	UNIPOLAR INSULATED ELECTRIC CABLE	G/Y	4 mm²	H07V-K		CABLE END INSULATED	CABLE END INSULATED

This technical information contained in this document is the exclusive property of Schneider Electric Industries S.A.S. and cannot be used or disclosed to third parties of any kind without its written consent. Only those drawings and diagrams permitted after order booking are valid for execution. All devices shown in this diagrams are in open position, drawn out with operating mechanism disassembled and all power sources off.

Les informations techniques contenues dans ce document (sauf la propriété exclusive de Schneider Electric Industries S.A.S. et ne peuvent être utilisées ou divulguées à des tiers) ou les droits qu'il lui sont réservés sans son accord écrit. Seuls ceux autorisés par la commande et les schémas remis après enregistrement de la commande. Les appareils représentés sur ce schéma sont en position ouvert - débranchés - toutes sources coupées.

WIRE LIST
 PS24DC40
 POWER SUPPLY 40A
 GENERATION AND PROTECTION
 24VDC 4 OUTPUT

CELLEAN OFFER



QGH7746903

Projet - No commande Project - Order No.	Indice Rev 00	Folio Sheet 005
---	---------------------	-----------------------

		1	2	3	4	5	6	7	8	9	10
A	This technical information contained in this document is the exclusive property of Schneider Electric Industries S.A.S. and cannot be used or disclosed to third parties of any kind without its written consent. Only those drawings and diagrams permitted after order booking are binding for execution. All devices shown in this diagrams are in open position. Drawn out with operating mechanism disengaged and at power sources off.	TAG	SHEET	DESCRIPTION			MANUFACTURER		MANUFACTURER REF.		QTY
		Q1	003	MOTOR CIRCUIT BREAKER 1.6-2.5			SCHNEIDER ELECTRIC		GV2ME07		1
		U1	003	REGULATED SMPS - 3-PHASE - 380..500 V - 24 V - 40 A			SCHNEIDER ELECTRIC		ABL8WPS24400		1
		U2	003	ELECTRONIC PROTECTION MODULE - 28..28.8 V DC - 10 A - FOR REGULATED SMPS			SCHNEIDER ELECTRIC		ABL8PRP24100		1
		XAUX1	003	MOVING CONNECTOR SINGLE 8P 12A IP2x			SCHNEIDER ELECTRIC		LGYDC8APM2		1
		XP1	003	MOVING CONNECTOR 3P 32A IP2x			SCHNEIDER ELECTRIC		LGYDC3P32M2S		1
				FUNCTION PLATE H200 x W300 6 WINDOWS VERSION A			SCHNEIDER ELECTRIC		NSYME02036A		1
				DIN RAIL, WIDTH: 35mm, HEIGHT: 15mm, LENGTH: 300mm			-----		DIN RAIL T3		1
B			SHUTTER AND CABLE GLAND			SCHNEIDER ELECTRIC		NSYMEWGL		4	
C	Les informations techniques contenues dans ce document (y compris les appareils, équipements, Schneider Electric Industries S.A.S. et ne peuvent être utilisées ou divulguées à des tiers, quels qu'ils soient sans son accord écrit. Seuls nos engagements pour l'exécution, les plans et schémas remis après enregistrement de la commande. Les appareils représentés sur ce schéma sont en position ouvert - disjoints - débranchés - toutes sources coupées.										
D											

PART LIST
PS24DC40
POWER SUPPLY 40A
GENERATION AND PROTECTION
24VDC 4 OUTPUT

CELLEAN OFFER



QGH7746903

Project - No commande
Project - Order No.

Indice Rev	Folio Sheet
00	006

00	27/02/2017	Edition originale / First issue									
Ind. Rev	Date	Modification / Modification	Archiv. Micro-filmed	Ind. Rev	Date	Modification / Modification	Archiv. Micro-filmed				