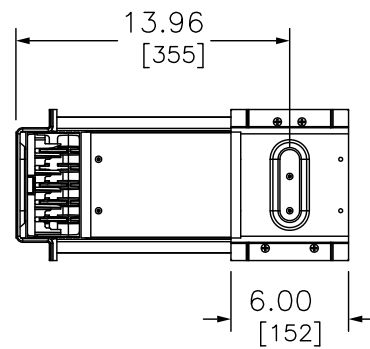
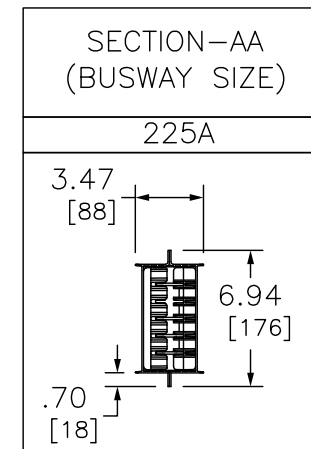
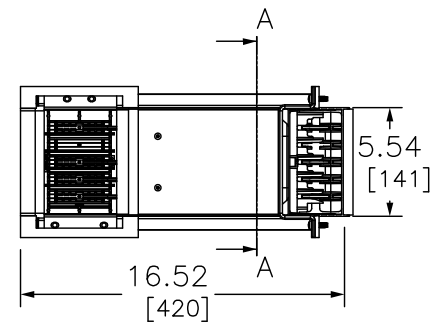


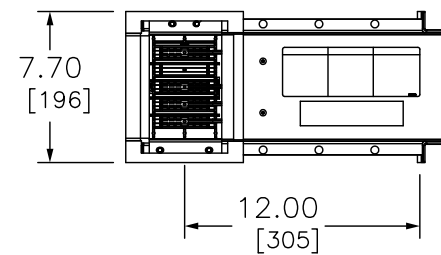
TOP



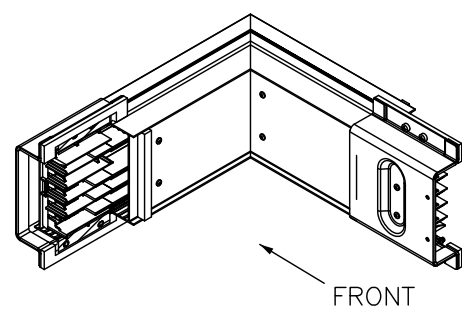
LEFT



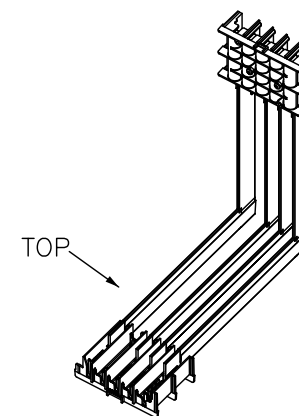
FRONT



RIGHT



ISOMETRIC



TOP

DUAL DIMENSIONS: INCHES
MILLIMETERS

BUSWAY ELBOW, RIGHT 225A, 240V - BLK



DWG# PBCF4A225LRB
NO.