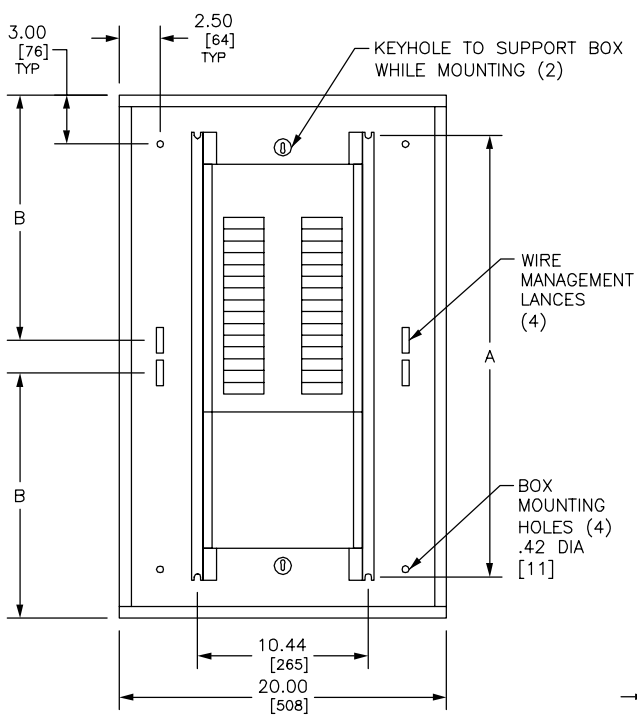
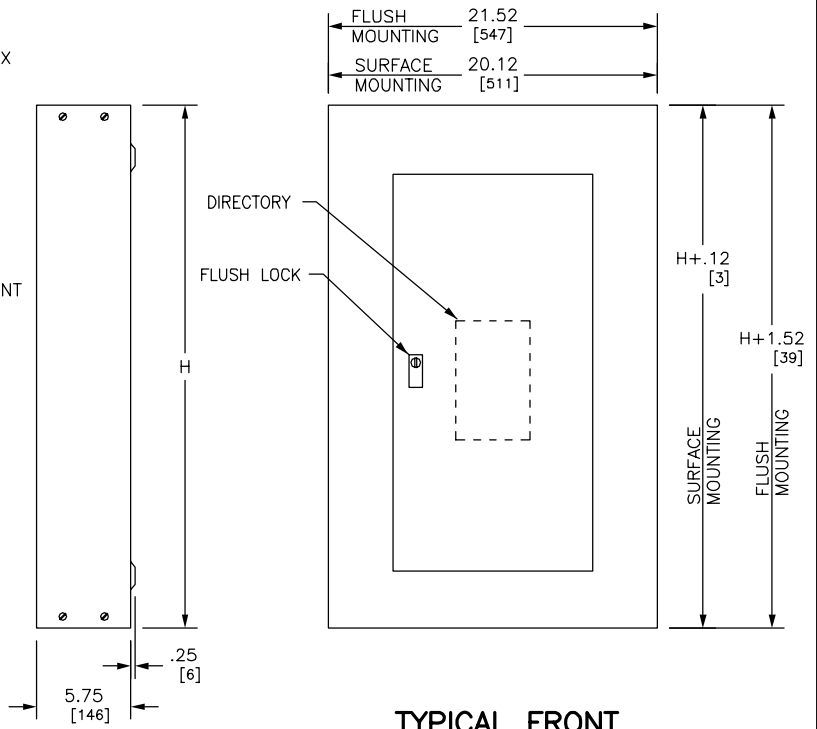


| REV | DESCRIPTION | BY | DATE | | | | |
|-----|-------------|-----|------|-----|-----|-----|-----|
| --- | --- | --- | --- | --- | --- | --- | --- |

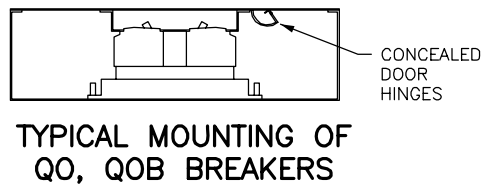


TYPICAL BOX WITH INTERIOR

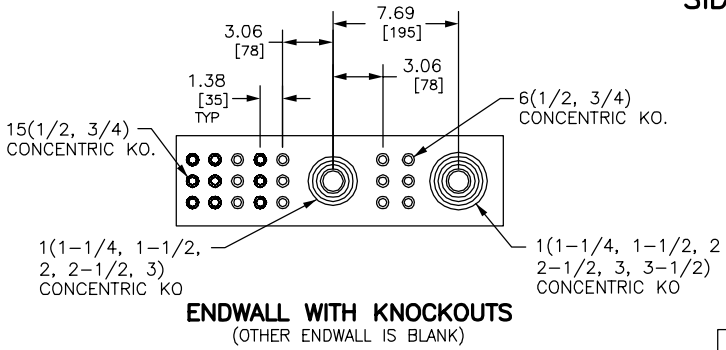


TYPICAL FRONT

TYPICAL BOX SIDE VIEW



TYPICAL MOUNTING OF QO, QOB BREAKERS



ENDWALL WITH KNOCKOUTS
(OTHER ENDWALL IS BLANK)

DUAL DIMENSIONS: INCHES
MILLIMETERS

| MAXIMUM MAIN LUGS AMPERE RATING | MAXIMUM NUMBER OF CIRCUITS | H | | A | | B | |
|---|----------------------------|-------|-------|-------|-------|-------|-----|
| | | IN | MM | IN | MM | IN | MM |
| 100A | 18 | 26.00 | 660 | 21.00 | 533 | 11.00 | 279 |
| | 30 | 32.00 | 813 | 27.00 | 686 | 15.00 | 381 |
| 225A | 30 | 32.00 | 813 | 27.00 | 686 | 15.00 | 381 |
| | 42 & 54 | 38.00 | 965 | 33.00 | 838 | 15.00 | 381 |
| | 72 | 44.00 | 1118 | 39.00 | 991 | 15.00 | 381 |
| | 84 | 50.00 | 1270 | 45.00 | 1143 | 15.00 | 381 |
| 100A WITH SUB FEED LUGS OR FEED THRU LUGS | 18 | 26.00 | 660 | 21.00 | 533 | 15.00 | 381 |
| | 30 | 32.00 | 813 | 27.00 | 686 | 15.00 | 381 |
| 225A WITH SUB FEED LUGS | 30 | 38.00 | 965 | 33.00 | 838 | 15.00 | 381 |
| | 42 & 54 | 44.00 | 1118 | 39.00 | 991 | 15.00 | 381 |
| | 72 | 50.00 | 1270 | 45.00 | 1143 | 15.00 | 381 |
| | 84 | 56.00 | 1422 | 51.00 | 1295 | 15.00 | 381 |
| 225A WITH FEED THRU LUGS | 30 & 42 | 38.00 | 965 | 33.00 | 838 | 15.00 | 381 |
| | 54 | 44.00 | 1118 | 39.00 | 991 | 15.00 | 381 |
| | 72 | 50.00 | 1270 | 45.00 | 1143 | 15.00 | 381 |
| | 84 | 56.00 | 1422 | 51.00 | 1295 | 15.00 | 381 |
| 225A WITH SUB FEED BREAKER | 30 | 50.00 | 1270 | 45.00 | 1143 | 15.00 | 381 |
| | 42 & 54 | 56.00 | 1422 | 51.00 | 1295 | 15.00 | 381 |
| | 72 | 62.00 | 1575 | 57.00 | 1448 | 15.00 | 381 |
| 84 | 68.00 | 1727 | 63.00 | 1600 | 15.00 | 381 | |

REFER TO DP CATALOG CLASS 1640 FOR ADDITIONAL INFORMATION

FOR TYPE 3R APPLICATIONS USE IN CONJUNCTION WITH PBA711

NQ PANELBOARDS MEET THE APPLICABLE REQUIREMENTS OF UL AND CSA.

BOX: CODE GAUGE GALVANIZED STEEL. ONE ENDWALL IS BLANK, THE OTHER HAS KNOCKOUTS.

FRONT: MONO-FLAT CONSTRUCTION WITH CONCEALED TRIM SCREWS AND DOOR HINGES. ANSI 49 GRAY BAKED ENAMEL FINISH ELECTRODEPOSITED OVER CLEANED PHOSPHATIZED STEEL.

LOCK: FLUSH LOCK WITH BRUSHED STAINLESS STEEL ESCUTCHEON. NSR-251 KEY.

| | |
|---------------------|---|
| JOB NAME: --- | EQUIPMENT DESIGNATION: --- |
| JOB LOCATION: --- | EQUIPMENT TYPE: NQ MLO 100A/225A TYPE 1 |
| DRAWN BY: --- | DRAWING TYPE: --- |
| ENGR: --- | |
| DATE: AUGUST 2007 | |
| DRAWING STATUS: --- | DWG# PBA701A PG 01 OF 01 REV --- |