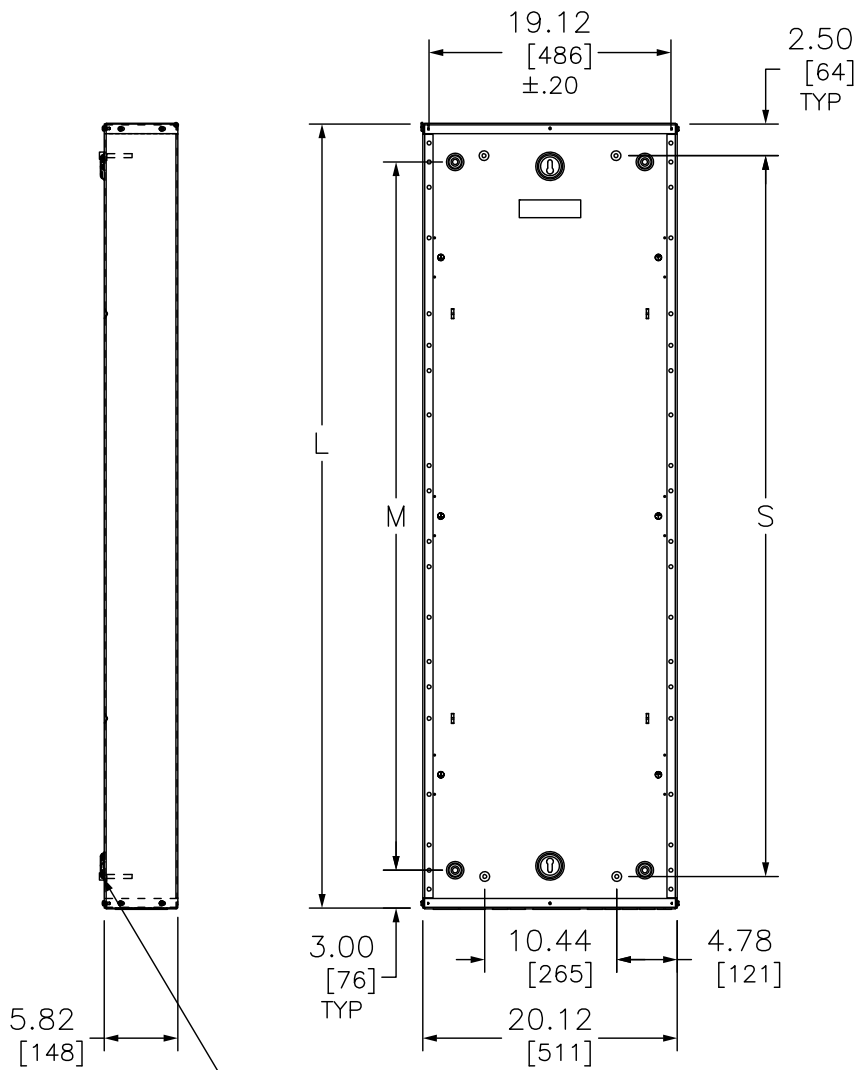


REV	DESCRIPTION	BY	DATE				
-	----	---	---/---/---	-	----	---	---/---/---



DIMPLES ARE .30/[8] DEEP

DUAL DIMENSIONS: INCHES MILLIMETERS

REFERENCE CATALOG NO	L		S		M	
	IN	MM	IN	MM	IN	MM
MH26BE	26.00	660	21.00	533	20.00	508
MH32BE	32.00	813	27.00	686	26.00	660
MH38BE	38.00	965	33.00	838	32.00	813
MH44BE	44.00	1118	39.00	991	38.00	965
MH50BE	50.00	1270	45.00	1143	44.00	1118
MH56BE	56.00	1422	51.00	1295	50.00	1270
MH62BE	62.00	1575	57.00	1448	56.00	1422
MH68BE	68.00	1727	63.00	1600	62.00	1575
MH74BE	74.00	1880	69.00	1753	68.00	1727
MH80BE	80.00	2032	75.00	1905	74.00	1880
MH86BE	86.00	2184	81.00	2057	80.00	2032
MH92BE	92.00	2337	87.00	2210	86.00	2184

JOB NAME: ----	EQUIPMENT DESIGNATION: ----
JOB LOCATION: ----	EQUIPMENT TYPE: NEMA 1 BOXES
DRAWN BY: ----	DRAWING TYPE: ----
ENGR: ----	
DATE: JULY 2018	
DRAWING STATUS: ----	DWG# PBA601
	PG 1 OF 1
	REV -