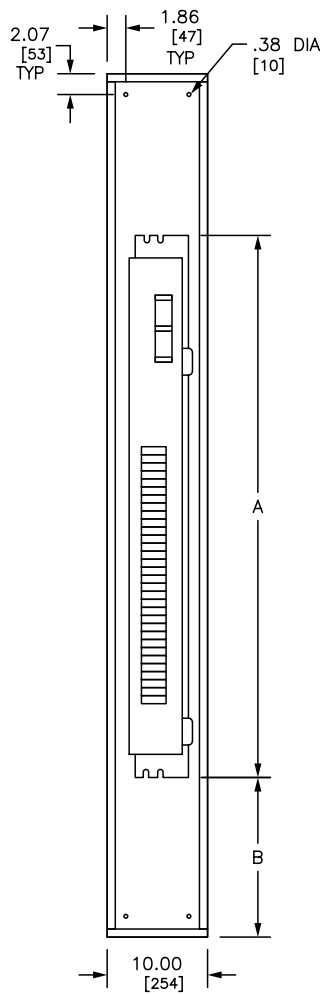
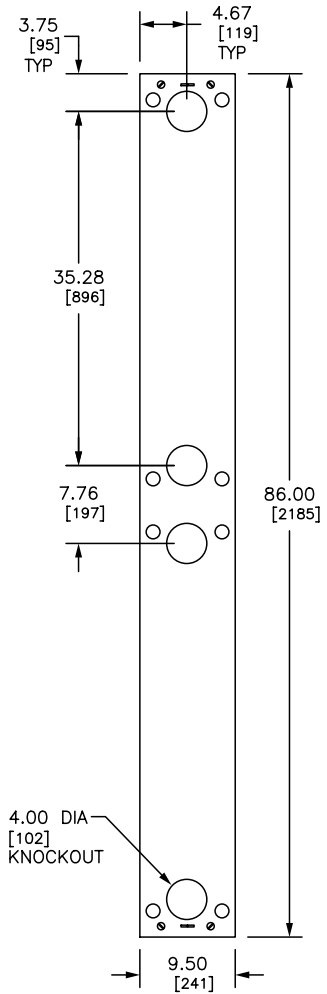


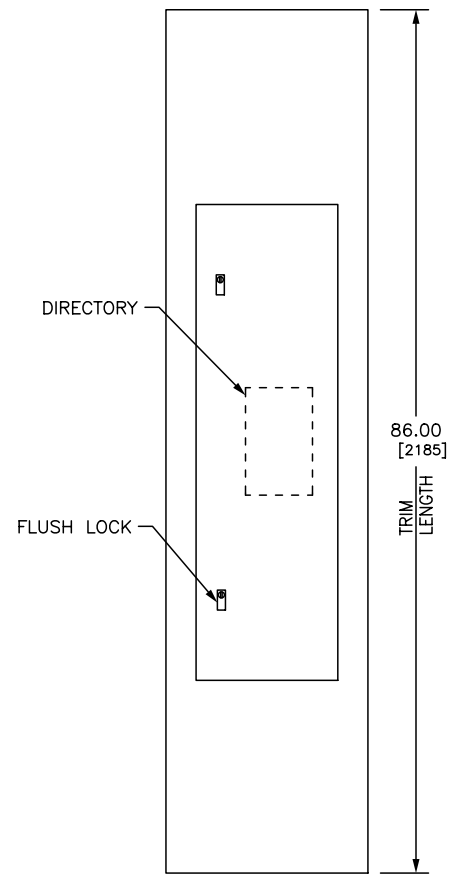
REV	DESCRIPTION	BY	DATE				
---	-----	---	---/---/---	---	-----	---	---



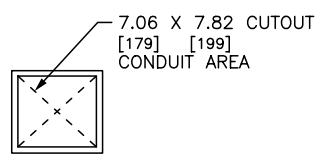
**TYPICAL BOX WITH INTERIOR**



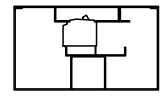
**TYPICAL BOX SIDE VIEW**



**TYPICAL FRONT**



**BOTTOM ENDWALL CUTOUT**



**TYPICAL SECTION NQOB PANEL**

MPS NQ COLUMN WIDTH PANELBOARDS ARE UL LISTED.

225A MAXIMUM VERTICAL MAIN CIRCUIT BREAKER

REFER TO DP CATALOG CLASS 1620 FOR ADDITIONAL INFORMATION

DUAL DIMENSIONS: INCHES MILLIMETERS

BOX: CODE GAUGE GALVANIZED STEEL.

FRONT: SCREW COVER FRONT WITH GRAY BAKED ENAMEL FINISH ELECTRODEPOSITED OVER CLEANED PHOSPHATIZED STEEL.

LOCK: FLUSH LOCK WITH BRUSHED, STAINLESS STEEL ESCUTCHEON. NSR-251 KEY CHANGE.

TYPE	AMPS	MLO/MB	CKT	NON-MPS BOX LENGTH		A		B	
				IN	MM	IN	MM	IN	MM
NQ	100	VMB	20	40.00	1016	32.00	813	27.00	686
NQ	100	VMB	30	45.00	1143	37.00	940	24.40	620
NQ	225	VMB	42	62.00	1575	54.00	1372	15.90	404

JOB NAME: ---	EQUIPMENT DESIGNATION: ---
JOB LOCATION: ---	EQUIPMENT TYPE: NQ FULL HEIGHT 100 * 225A VMB CW
DRAWN BY: ---	DRAWING TYPE: ---
ENGR: ---	
DATE: JULY 2008	
DRAWING STATUS: ---	DWG# PBA584_EN
	PG 01 OF 01
	REV ---