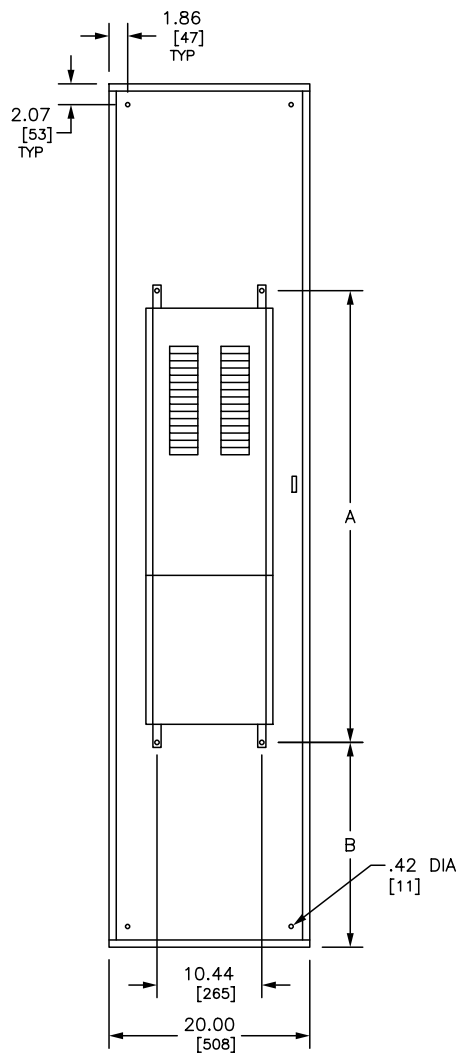
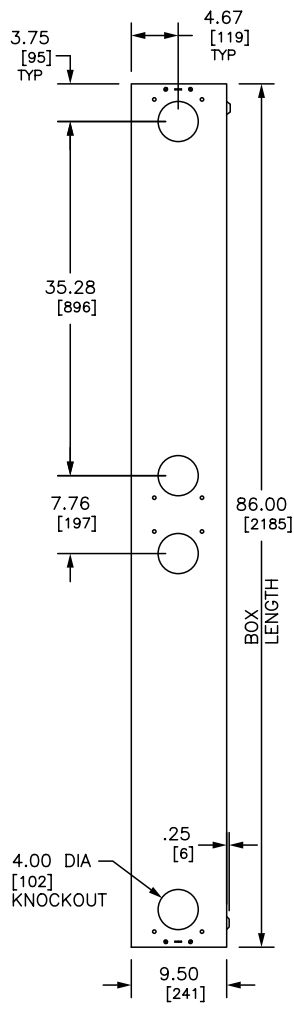


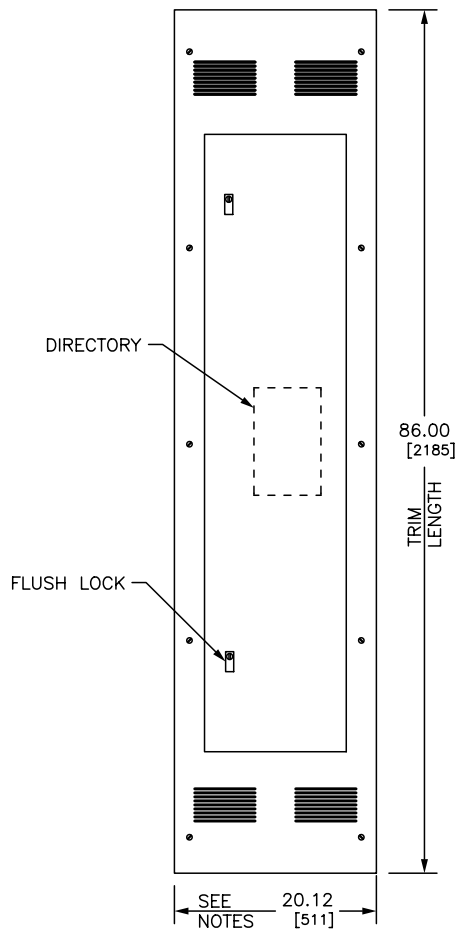
| REV | DESCRIPTION | BY | DATE | | | | | | |
|-----|-------------|-----|-------------|-----|-------|-----|-------|-----|-------|
| --- | ----- | --- | ---/---/--- | --- | ----- | --- | ----- | --- | ----- |



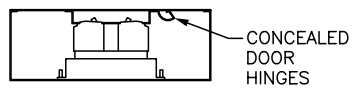
TYPICAL BOX WITH INTERIOR



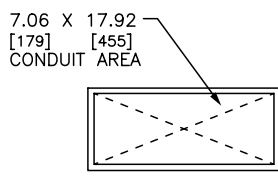
TYPICAL BOX SIDE VIEW



TYPICAL FRONT



TYPICAL MOUNTING OF QO OR QOB BREAKERS



BOTTOM ENDWALL CUTOUT

MPS NQ MLO PANELBOARDS ARE UL LISTED.

REFER TO DP CATALOG CLASS 1630 FOR ADDITIONAL INFORMATION

BOX: CODE GAUGE GALVANIZED STEEL. TOP ENDWALL WILL BE BLANK AND BOTTOM ENDWALL HAS CUTOUT.

DUAL DIMENSIONS: INCHES MILLIMETERS

FRONT: MONO-FLAT CONSTRUCTION WITH TRIM SCREWS AND DOOR HINGES. ANSI 49 GRAY BAKED ENAMEL FINISH ELECTRODEPOSITED OVER CLEANED PHOSPHATIZED STEEL. SOME TRIMS WILL BE VENTED.

LOCK: FLUSH LOCK WITH BRUSHED, STAINLESS STEEL ESCUTCHEON. NSR-251 KEY CHANGE.

| TYPE | AMPS | MLO/MB | CKT | NON-MPS BOX LENGTH | | A | | B | |
|------|---------|--------|-----|--------------------|------|-------|------|-------|-----|
| | | | | IN | MM | IN | MM | IN | MM |
| NQ | 400/600 | MLO | 30 | 50.00 | 1270 | 45.00 | 1143 | 20.35 | 517 |
| NQ | 400/600 | MLO | 42 | 50.00 | 1270 | 45.00 | 1143 | 20.35 | 517 |
| NQ | 400/600 | MLO | 54 | 56.00 | 1422 | 51.00 | 1295 | 17.35 | 441 |

| | |
|---------------------|--|
| JOB NAME: --- | EQUIPMENT DESIGNATION: --- |
| JOB LOCATION: --- | EQUIPMENT TYPE: NQ FULL HEIGHT 400/600 MLO |
| DRAWN BY: --- | DRAWING TYPE: --- |
| ENGR: --- | SQUARE D Schneider Electric |
| DATE: JULY 2008 | |
| DRAWING STATUS: --- | DWG# PBA583_EN |
| | PG 01 OF 01 REV --- |