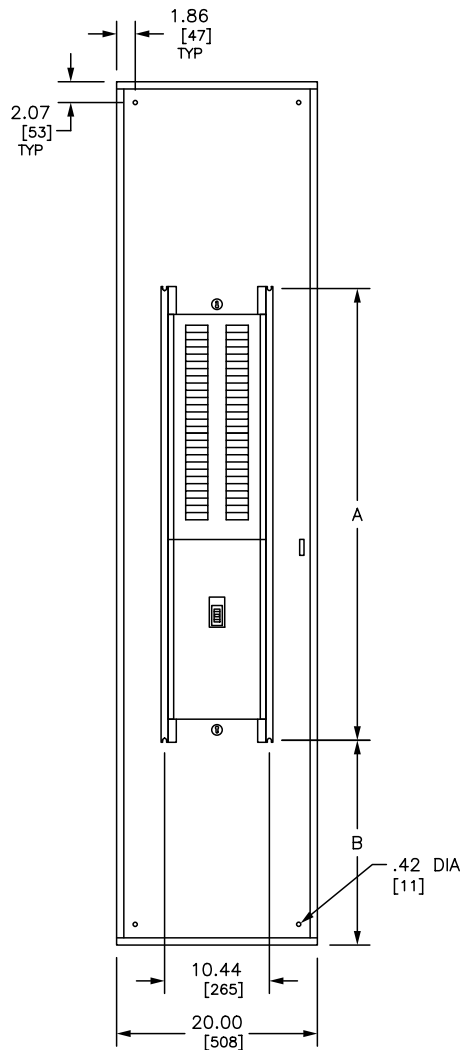
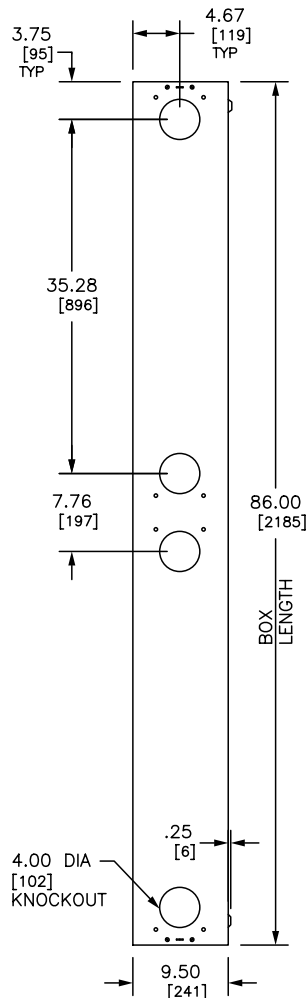


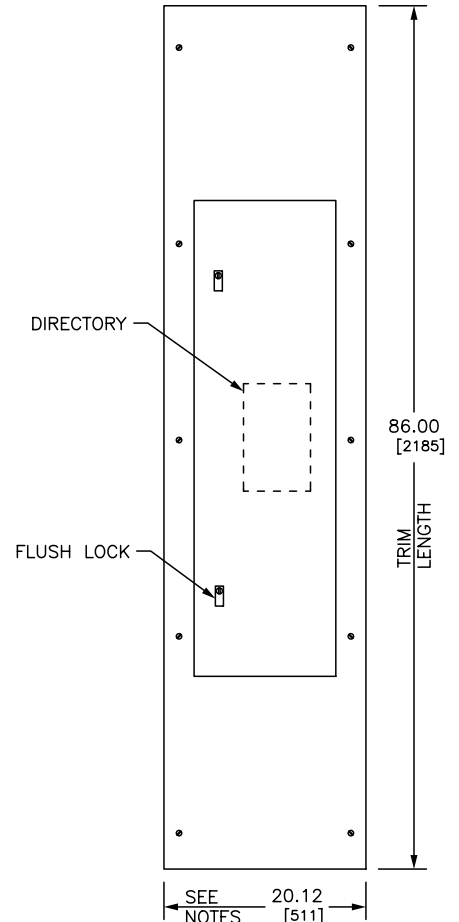
REV	DESCRIPTION	BY	DATE						
---	-----	---	---/---/---	---	---	---	---	---	---



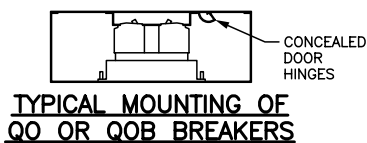
**TYPICAL BOX WITH INTERIOR**



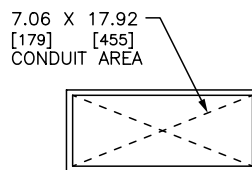
**TYPICAL BOX SIDE VIEW**



**TYPICAL FRONT**



**TYPICAL MOUNTING OF QO OR QOB BREAKERS**



**BOTTOM ENDWALL CUTOUT**

MPS NQ PANELBOARDS ARE UL LISTED.

REFER TO DP CATALOG CLASS 1630 FOR ADDITIONAL INFORMATION

BOX: CODE GAUGE GALVANIZED STEEL. TOP ENDWALL WILL BE BLANK AND BOTTOM ENDWALL HAS A CUTOUT.

FRONT: MONO-FLAT CONSTRUCTION WITH TRIM SCREWS AND DOOR HINGES. ANSI 49 GRAY BAKED ENAMEL FINISH ELECTRODEPOSITED OVER CLEANED PHOSPHATIZED STEEL. SOME TRIMS WILL BE VENTED.

LOCK: FLUSH LOCK WITH BRUSHED, STAINLESS STEEL ESCUTCHEON. NSR-251 KEY CHANGE.

DUAL DIMENSIONS: INCHES  
MILLIMETERS

TYPE	AMPS	MLO/MB	CKT	NON-MPS BOX LENGTH		A		B	
				IN	MM	IN	MM	IN	MM
NQ	225	VMB	42	50.00	1270	45.00	1143	20.35	517
NQ	225	VMB	54	50.00	1270	45.00	1143	20.35	517

JOB NAME: ---	EQUIPMENT DESIGNATION: ---
JOB LOCATION: ---	EQUIPMENT TYPE: NQ FULL HEIGHT 225A VMB
DRAWN BY: ---	DRAWING TYPE: ---
ENGR: ---	<b>SQUARE D</b> Schneider Electric
DATE: JULY 2008	
DRAWING STATUS: ---	DWG# PBA580_EN
	PG 01 OF 01
	REV ---