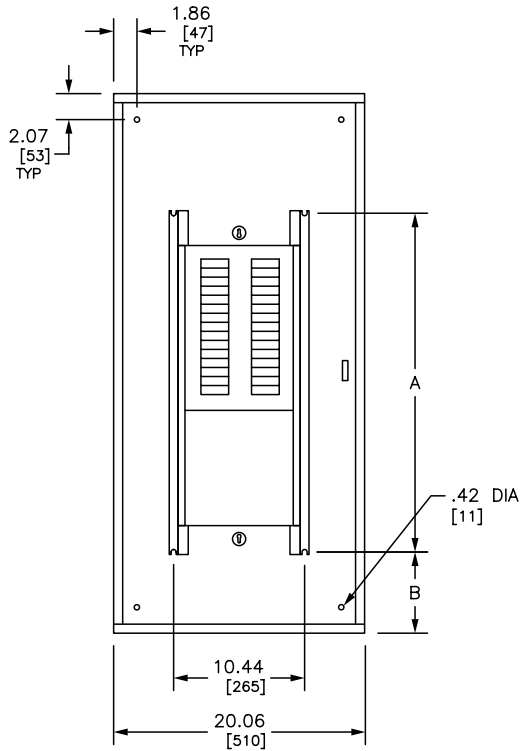


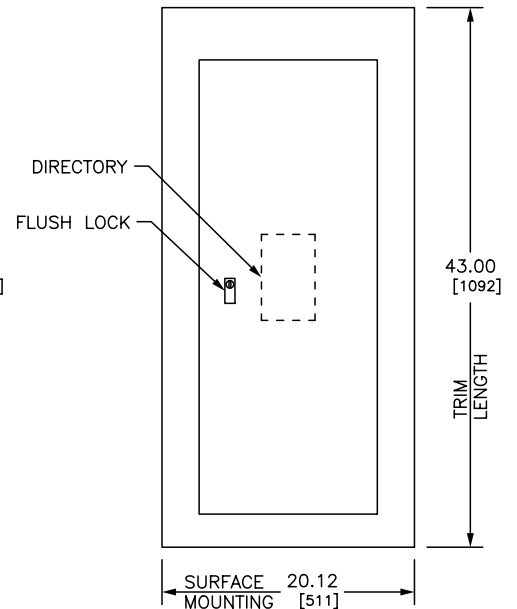
REV	DESCRIPTION	BY	DATE						
---	---	---	---	---	---	---	---	---	---



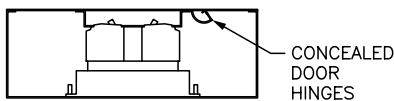
TYPICAL BOX WITH INTERIOR



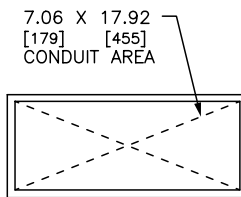
TYPICAL BOX SIDE VIEW



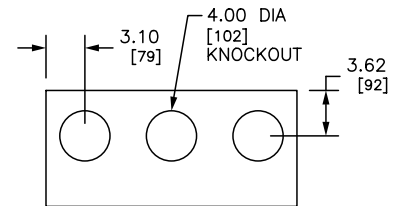
TYPICAL FRONT



TYPICAL MOUNTING OF QO OR QOB BREAKERS



BOTTOM ENDWALL CUTOUT
SEE NOTES



ENDWALL WITH KNOCKOUTS
SEE NOTES

MPS NQ PANELBOARDS ARE UL LISTED.

REFER TO DP CATALOG CLASS 1630 FOR ADDITIONAL INFORMATION

BOX: CODE GAUGE GALVANIZED STEEL. TOP BOX HAS BLANK TOP ENDWALL AND BOTTOM ENDWALL HAS KNOCKOUTS. BOTTOM BOX HAS TOP ENDWALL WITH KNOCKOUTS, AND BOTTOM ENDWALL HAS CUTOUT.

DUAL DIMENSIONS: INCHES
MILLIMETERS

FRONT: MONO-FLAT CONSTRUCTION WITH CONCEALED TRIM SCREWS AND DOOR HINGES. ANSI 49 GRAY BAKED ENAMEL FINISH ELECTRODEPOSITED OVER CLEANED PHOSPHATIZED STEEL.

LOCK: FLUSH LOCK WITH BRUSHED, STAINLESS STEEL ESCUTCHEON. NSR-251 KEY CHANGE.

TYPE	AMPS	MLO/MB	CKT	NON-MPS BOX LENGTH		A		B	
				IN	MM	IN	MM	IN	MM
NQ	225	MLO	30	32.00	813	27.00	686	6.40	163
NQ	225	MLO	42	35.00	889	30.00	762	3.40	86
NQ	225	MLO	54	38.00	965	33.00	838	3.40	86

JOB NAME: ---	EQUIPMENT DESIGNATION: ---
JOB LOCATION: ---	EQUIPMENT TYPE: NQ STACKED 225A MLO
DRAWN BY: ---	DRAWING TYPE: ---
ENGR: ---	
DATE: JULY 2008	
DRAWING STATUS: ---	DWG# PBA579_EN
	PG 01 OF 01 REV ---