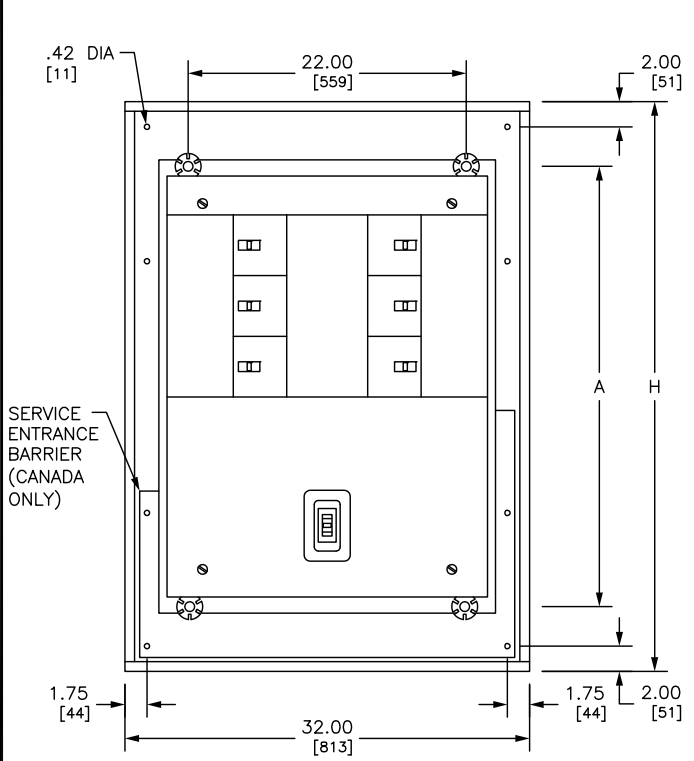
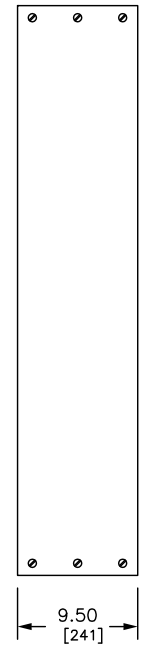


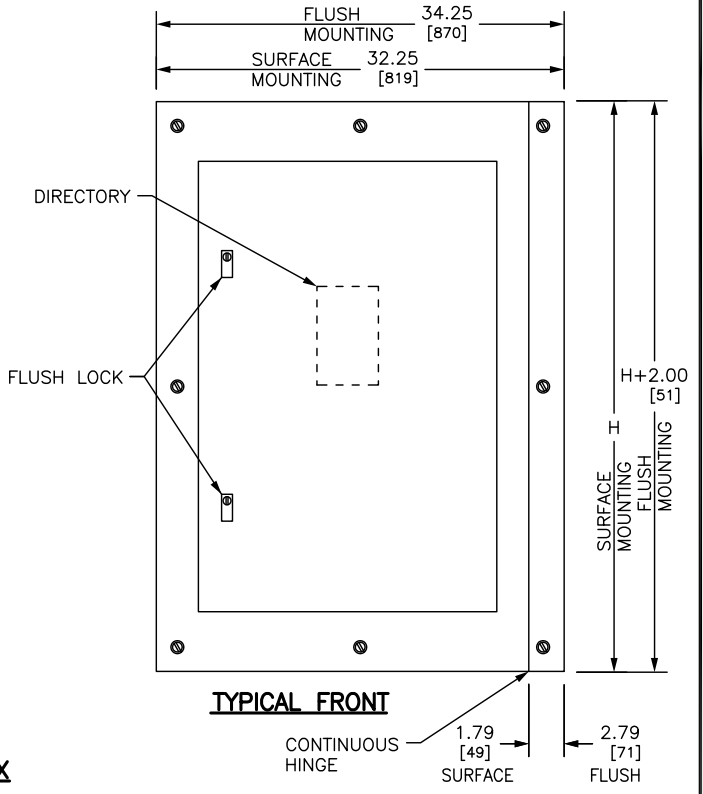
REV	DESCRIPTION	BY	DATE				
---	---	---	---	---	---	---	---



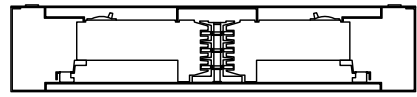
TYPICAL BOX WITH INTERIOR



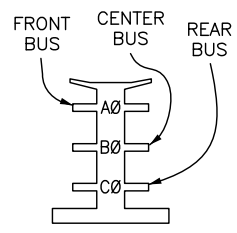
TYPICAL BOX SIDE VIEW



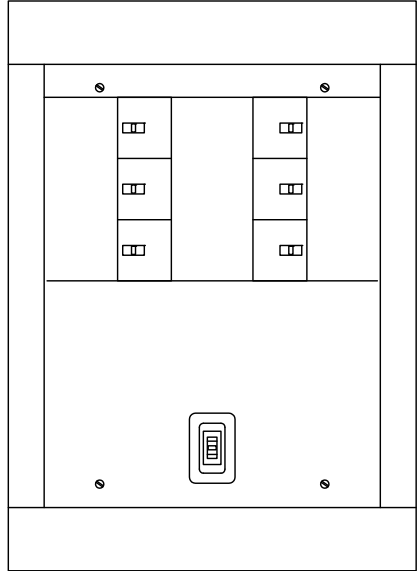
TYPICAL FRONT



BD, BG, BJ, BK, HD, HG, HJ, HL, HR, JD, JG, JJ, JL, JR, QB, QD, QG, QJ and QO when HQO is installed



BRANCH CONNECTION PHASING IS DETERMINED BY CIRCUIT BREAKER SELECTION



TYPICAL SURFACE FRONT
(4 PIECE TRIM - NO DOOR)

REFER TO DP CATALOG CLASS 2110 FOR ADDITIONAL INFORMATION

I-LINE HCJ PANELBOARDS MEET THE APPLICABLE REQUIREMENTS OF UL AND CSA.

BOX: CODE GAUGE STEEL WITH REMOVABLE BLANK ENDWALLS.

FRONT: CODE GAUGE STEEL. GRAY BAKED ENAMEL FINISH ELECTRODEPOSITED OVER CLEANED PHOSPHATIZED STEEL.

LOCK: (COVERS WITH DOORS) 73.00/[1854] - 91.00/[2311] HIGH FRONTS HAVE (2) FLUSH LOCKS WITH NSR-251 KEY.

Main Breaker: MG, MJ and LD, LG, LJ and LL for 600A only

DUAL DIMENSIONS: INCHES MILLIMETERS

MAXIMUM MAIN BREAKER AMPERE RATING	BRANCH BREAKER MOUNTING SPACE (INCHES)	H		A	
		IN	MM	IN	MM
600/800	36	73.00	1854	47.10	1196
	72	91.00	2311	65.10	1654

JOB NAME: ---	EQUIPMENT DESIGNATION: ---
JOB LOCATION: ---	EQUIPMENT TYPE: I-LINE HCJ VERTICAL MCB
DRAWN BY: ---	DRAWING TYPE: ---
ENGR: ---	
DATE: FEBRUARY 2019	
DRAWING STATUS: ---	

SQUARE D
by Schneider Electric

DWG# PBA472HR | PG 01 OF 01 | REV ---