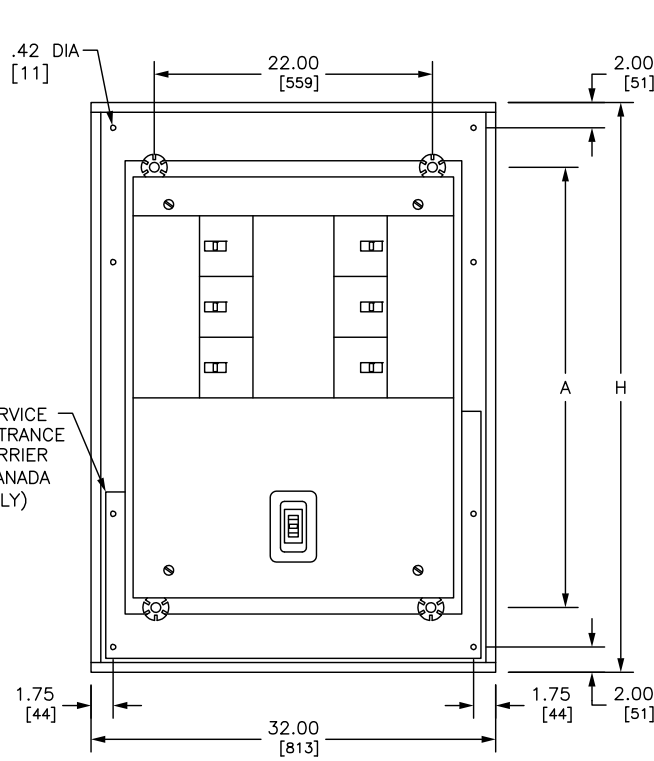
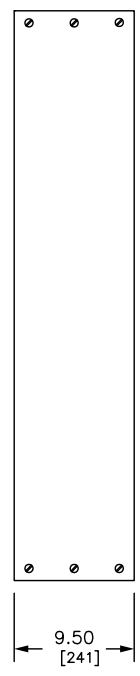


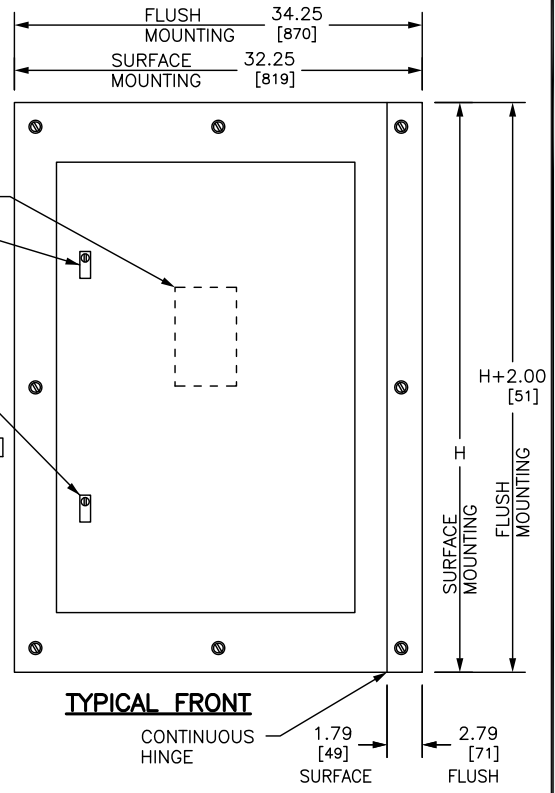
REV	DESCRIPTION	BY	DATE				
---	---	---	---	---	---	---	---



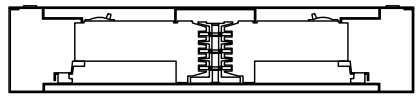
TYPICAL BOX WITH INTERIOR



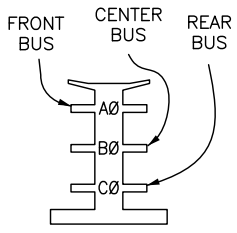
TYPICAL BOX SIDE VIEW



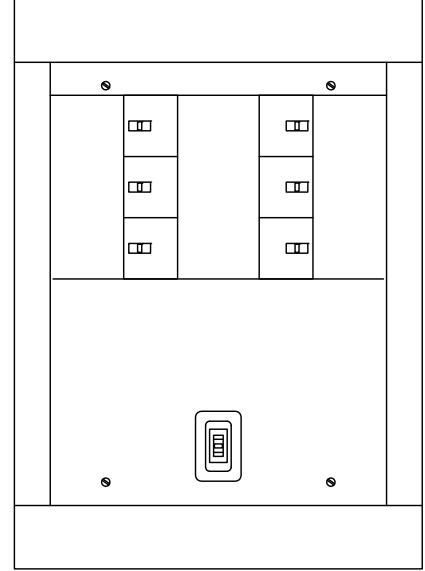
TYPICAL FRONT



BD, BG, BJ, BK, HD, HG, HJ, HR, JD, JG, JJ, JL, JR, QB, QD, QG, QJ and QO when HQO is installed



BRANCH CONNECTION PHASING IS DETERMINED BY CIRCUIT BREAKER SELECTION



TYPICAL SURFACE FRONT

(4 PIECE TRIM - NO DOOR)

REFER TO DP CATALOG CLASS 2110 FOR ADDITIONAL INFORMATION

I-LINE HCJ PANELBOARDS MEET THE APPLICABLE REQUIREMENTS OF UL AND CSA.

BOX: CODE GAUGE STEEL WITH REMOVABLE BLANK ENDWALLS.

FRONT: CODE GAUGE STEEL. GRAY BAKED ENAMEL FINISH ELECTRODEPOSITED OVER CLEANED PHOSPHATIZED STEEL.

LOCK: 73.00/[1854] - 91.00/[2311] HIGH FRONTS HAVE (2) FLUSH LOCKS WITH NSR-251 KEY.

FOR NEMA TYPE 3R APPLICATIONS USE IN CONJUNCTION WITH PBA475.

Main Breaker: LA, LH, LD, LG, LJ, LL

DUAL DIMENSIONS: INCHES MILLIMETERS

MAXIMUM MAIN BREAKER AMPERE RATING	BRANCH BREAKER MOUNTING SPACE (INCHES)	H		A	
		IN	MM	IN	MM
400	27	73.00	1854	47.10	1196
	45				
	81	91.00	2311	65.10	1654

JOB NAME: ---	EQUIPMENT DESIGNATION: ---
JOB LOCATION: ---	EQUIPMENT TYPE: I-LINE HCJ VERTICAL MCB
DRAWN BY: ---	DRAWING TYPE: ---
ENGR: ---	
DATE: FEBRUARY 2019	
DRAWING STATUS: ---	DWG# PBA471HR
	PG 01 OF 01 REV ---

