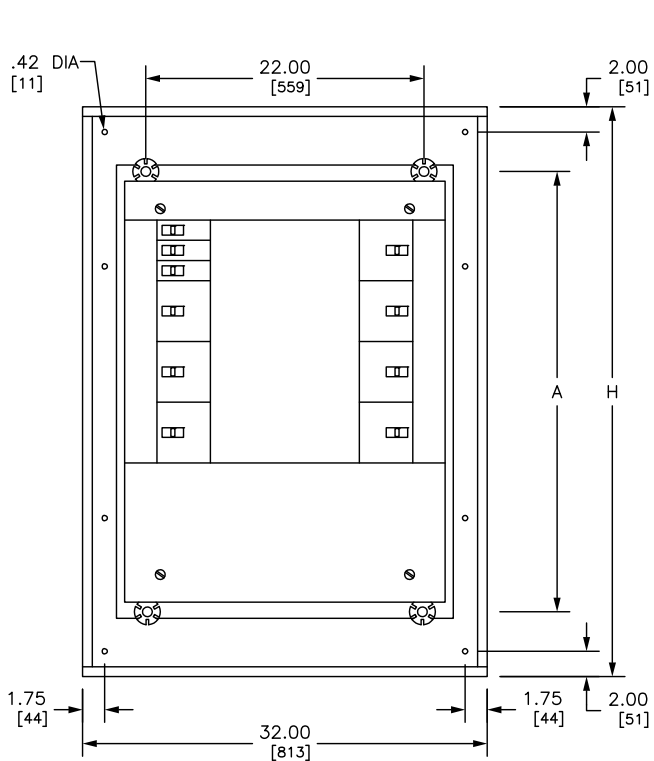
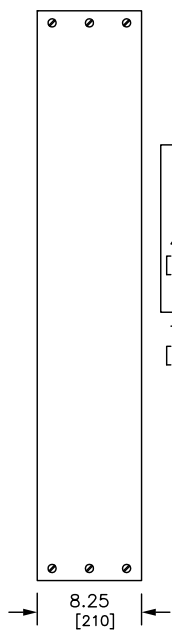


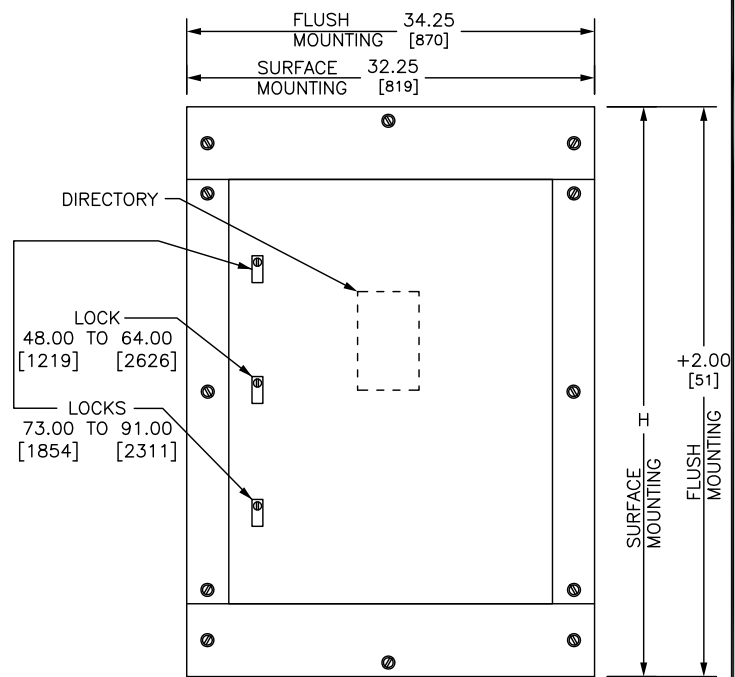
REV	DESCRIPTION	BY	DATE	---	---	---	---
---	---	---	---	---	---	---	---



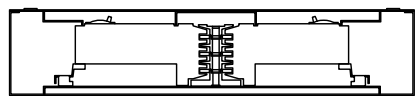
**TYPICAL BOX WITH INTERIOR**



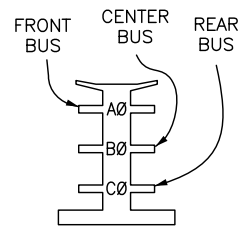
**TYPICAL BOX SIDE VIEW**



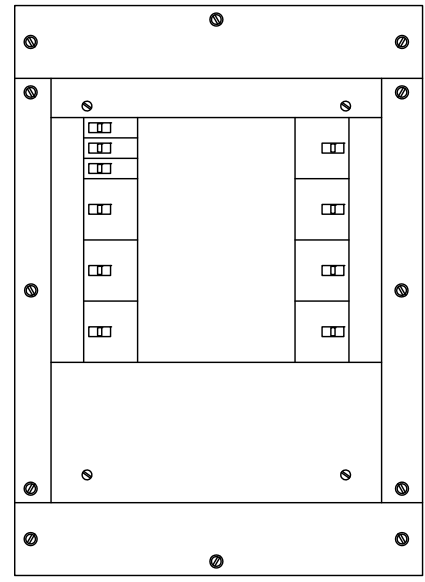
**TYPICAL FRONT**  
(4 PIECE TRIM - WITH DOOR)



**TYPICAL MOUNTING OF BD, BG, BJ, BK, FA, FC, FD, FG, FH, FI, FJ, FK, FY, HD, HG, HJ, HL, JD, JG, JJ, JL, KA, KH, Q2, Q2H, Q2-H, QB, QD, QG, QJ OR QO BREAKERS**



BRANCH CONNECTION PHASING IS DETERMINED BY CIRCUIT BREAKER SELECTION



**TYPICAL FRONT**  
(4 PIECE TRIM - NO DOOR)

REFER TO DP CATALOG CLASS 2110 FOR ADDITIONAL INFORMATION

I-LINE HCM PANELBOARDS MEET THE APPLICABLE REQUIREMENTS OF UL AND CSA.

BOX: CODE GAUGE GALVANIZED STEEL WITH REMOVABLE BLANK ENDWALLS.

FRONT: GRAY BAKED ENAMEL FINISH ELECTRODEPOSITED OVER CLEANED PHOSPHATIZED STEEL.

LOCK: 48.00/[1219] - 64.00/[1626] HIGH FRONTS HAVE BRUSHED, STAINLESS STEEL FLUSH LOCK WITH NSR-251 KEY. 73.00/[1854] - 91.00/[2311] HIGH FRONTS HAVE (2) BRUSHED STAINLESS STEEL FLUSH LOCKS WITH NSR-251 KEY.

FOR NEMA TYPE 3R APPLICATIONS USE IN CONJUNCTION WITH PBA412.

DUAL DIMENSIONS: INCHES MILLIMETERS

MAXIMUM MLO OR BF-MCB AMPERE RATING	BRANCH BREAKER MOUNTING SPACE (INCHES)	H		A	
		IN	MM	IN	MM
225 THRU 800	27	48.00	1219	29.10	739
	45	64.00	1626	38.10	968
	63	73.00	1854	47.10	1196
	99	91.00	2311	65.10	1654
NON-LINEAR					
600/800	72	91.00	2311	65.10	1654

NOTE: VENTED TRIM ONLY

JOB NAME: ---	EQUIPMENT DESIGNATION: ---
JOB LOCATION: ---	EQUIPMENT TYPE: I-LINE HCM MLO OR BF-MCB
DRAWN BY: ---	DRAWING TYPE: ---
ENGR: ---	
DATE: MAY 2018	
DRAWING STATUS: ---	DWG# PBA402
	PG 01 OF 01 REV ---

