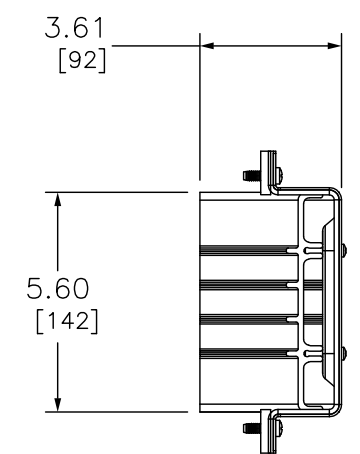
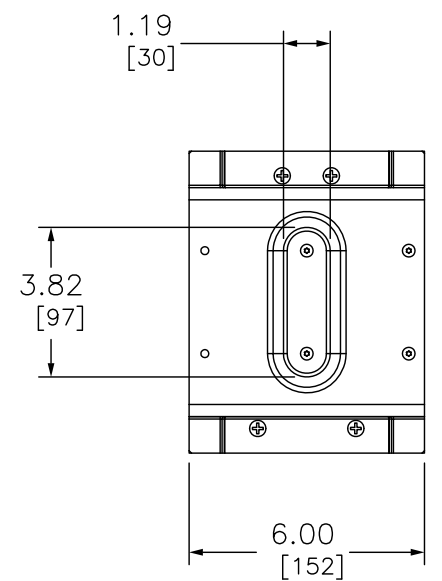


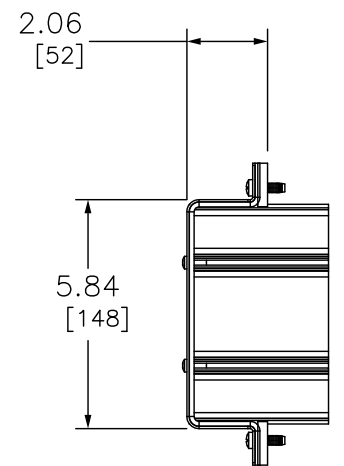
TOP



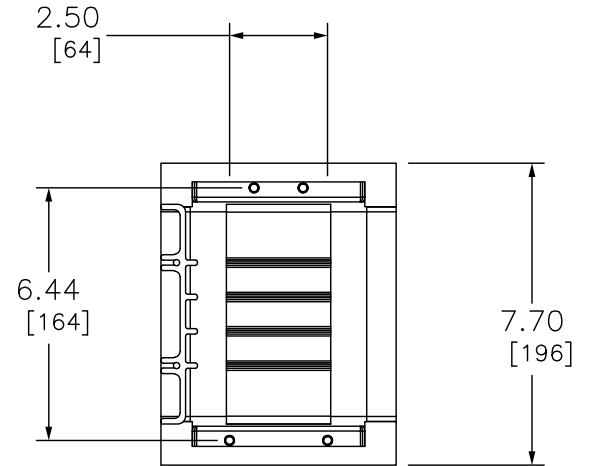
LEFT



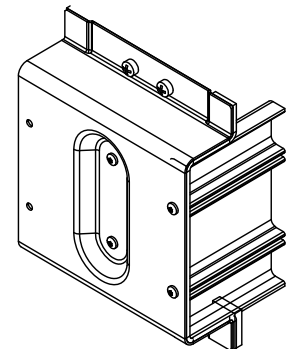
FRONT



RIGHT



REAR



ISOMETRIC

DUAL DIMENSIONS: INCHES
MILLIMETERS

BUSWAY END CLOSURE 225 A



DWG# NO. PB225EC