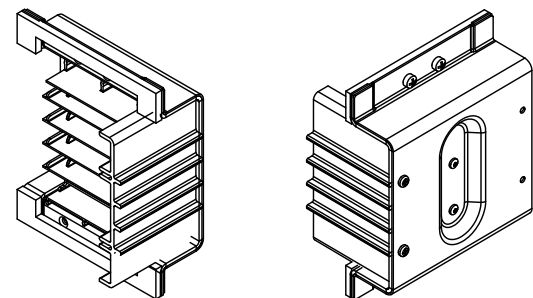
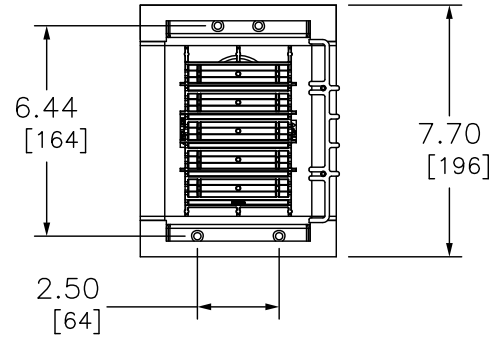
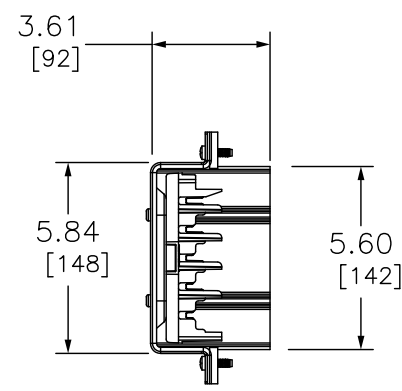
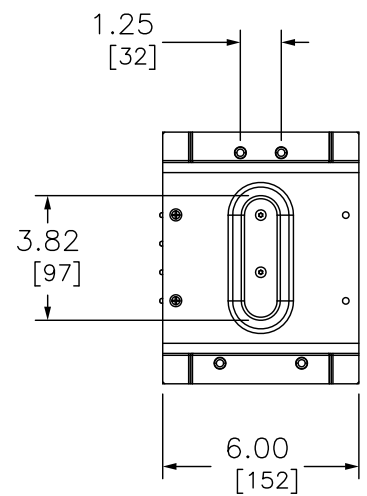
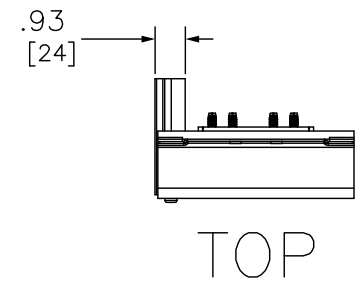
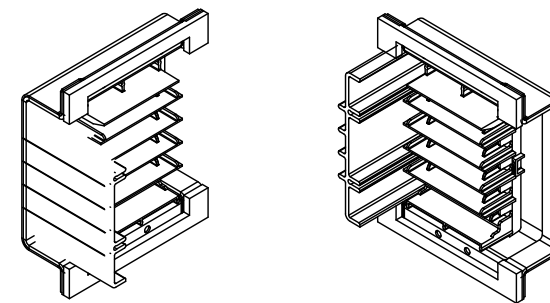
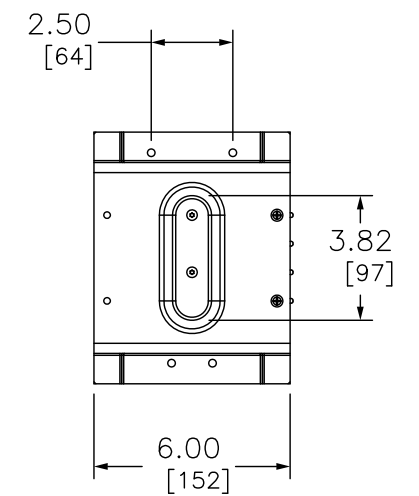
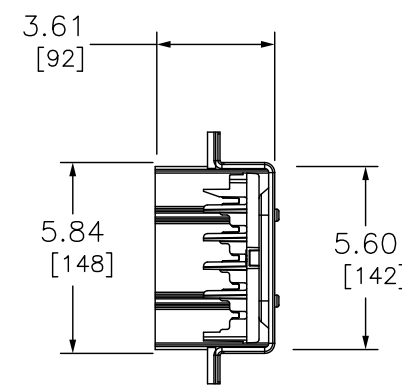
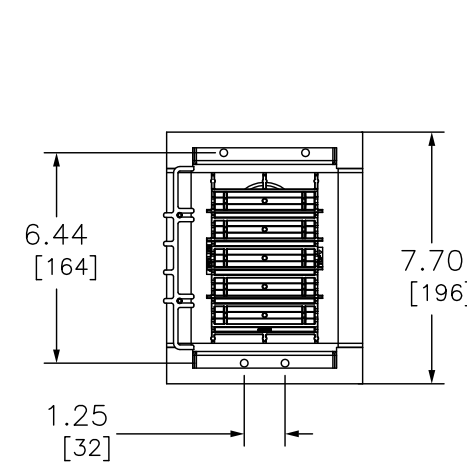
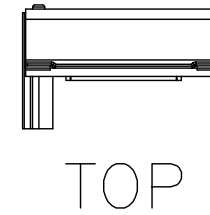


# END CLOSURE—LEFT



# END CLOSURE—RIGHT



DUAL DIMENSIONS: INCHES  
MILLIMETERS

BUSWAY END CLOSURE 225A 600V

**SQUARE D**<sup>™</sup>  
by Schneider Electric

DWG# PB225AEC  
NO.