

REV	DESCRIPTION	BY	DATE						
-----	-------------	----	------	--	--	--	--	--	--

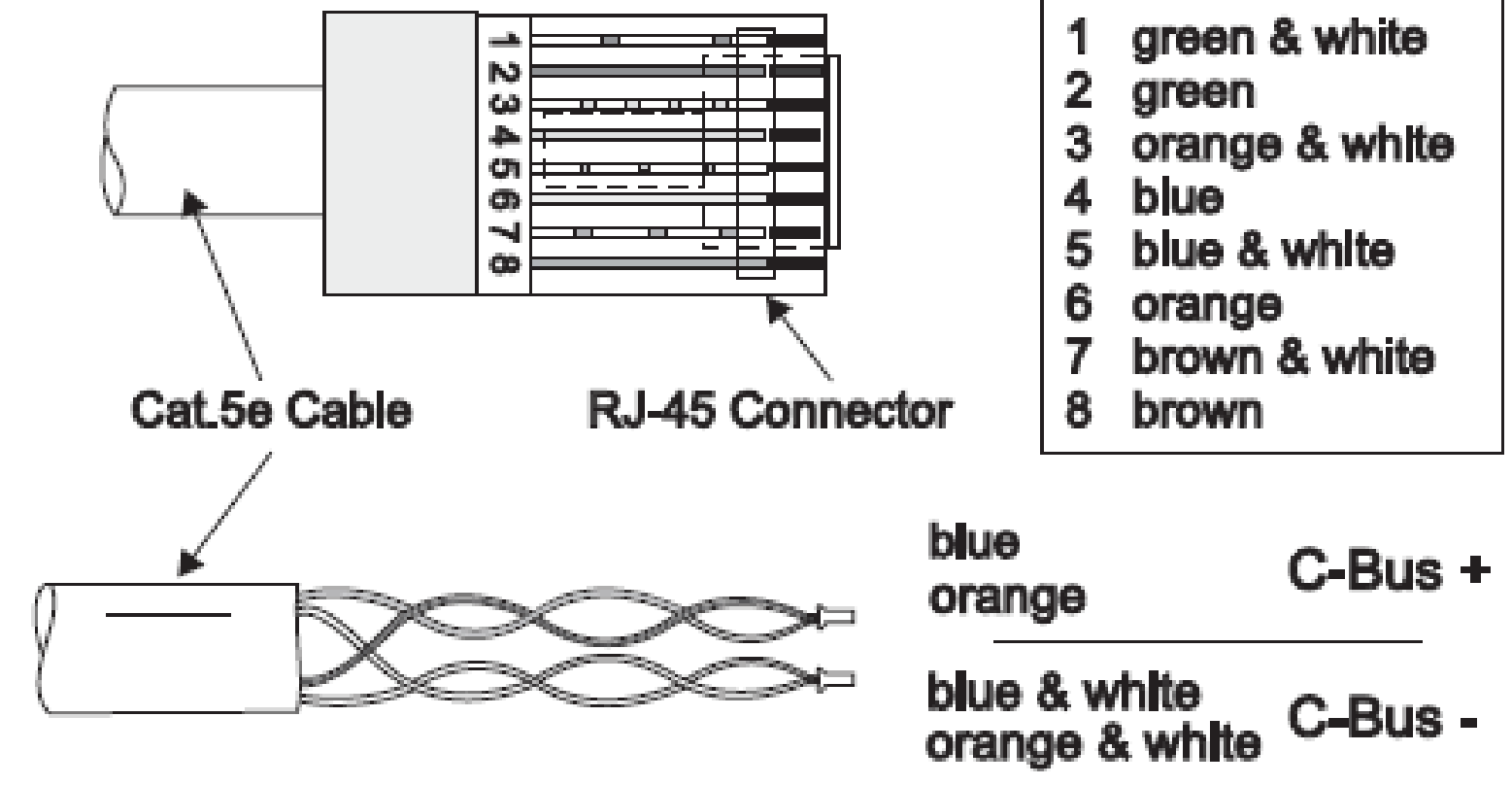
C-BUS OCCUPANCY CONTROLLER (5752PP/xR/xD)
STANDALONE OCCUPANCY CONTROLLER (752PP/xR)



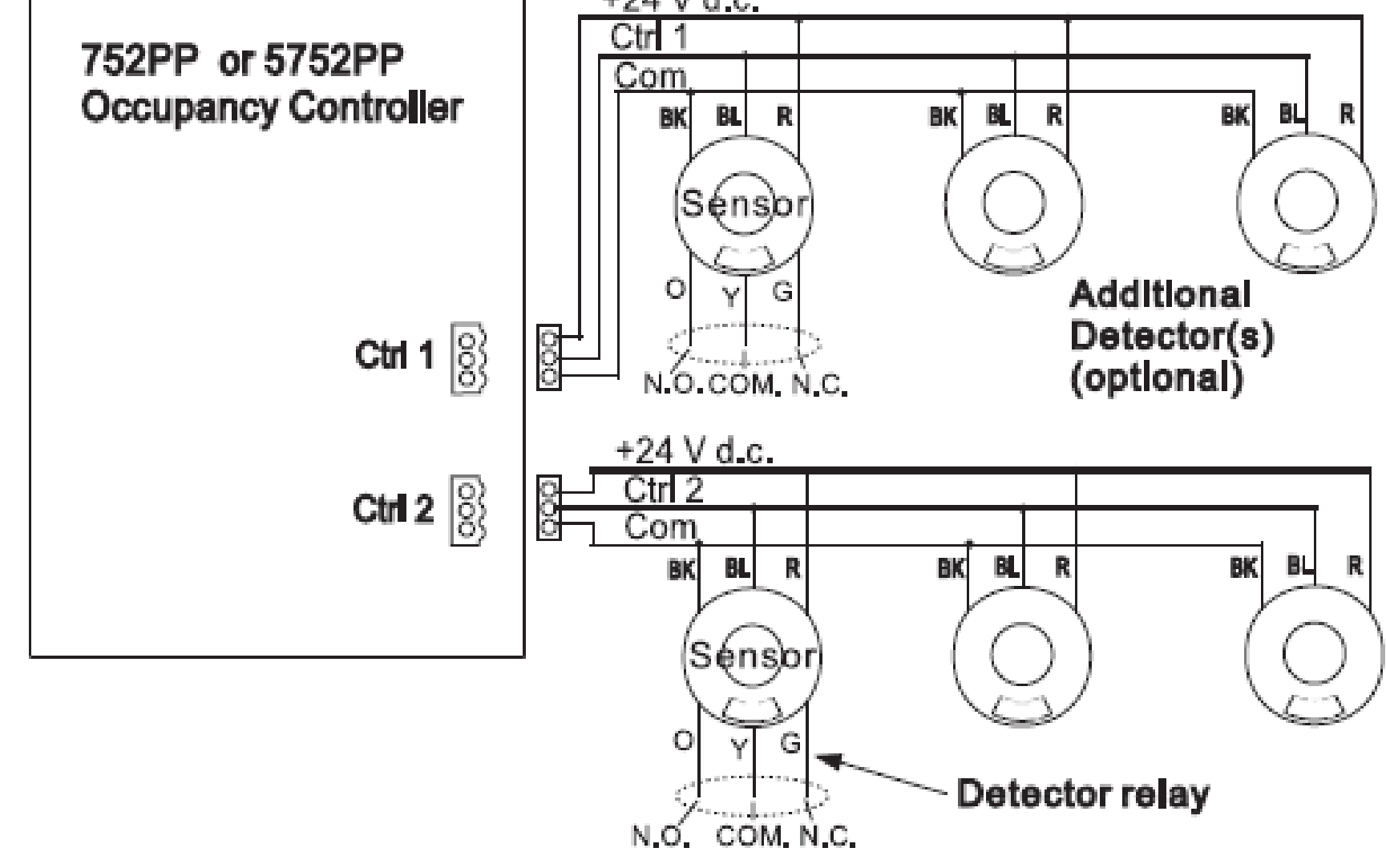
SPECIFICATIONS

Parameter	752PP Series	5752PP Series
Mains supply voltage	100 – 277 V a.c.	
Mains supply frequency	50 – 60 Hz	
Motion detector power supply	Power output 280 mA (140 mA per detector connection)	
Power supply rating	24 V d.c. SELV/Class 2	
C-Bus supply voltage	Not applicable	15 to 36 V d.c. SELV / Class 2
Max units per network	Not applicable	80
C-Bus sink current	Not applicable	25 mA. Does not provide current for the C-Bus network.
C-Bus AC Impedance	Not applicable	80 KΩ @ 1 KHz
Relay rating	Fluorescent, capacitive (IEC 60669-2-1): 16 AX at 277 V a.c. Resistive: 16 A at 277 V a.c. Incandescent/ Tungsten: 12 A at 277 V a.c. Fluorescent (UL) Standard ballast (inductive 0.4 – 0.5 pf): 10 A at 277 V a.c.	
Ballast control power supply (5752PP/2R/2D)	Not applicable	Analogue: 1 – 10 V d.c. 200 mA DSI: 0 – 12 V d.c. 200 mA DALI: 0 – 12 V d.c. 250 mA
Maximum ballasts per control (57PP/2R/2D)	Not applicable	100 for DALI or DSI. 50 for 0–10 V analogue
Ballast power control range (57PP/2R/2D)	Not applicable	Full range of attached ballasts
Connections	Input: Screw terminals, 2.5 – 4 mm ² (#14 – #12 AWG) Relay output: Screw terminals, 2.5 – 4 mm ² (#14 – #12 AWG) Motion detector: Screw terminal, 3-pin, 1 for each relay present Auxiliary input: Screw terminal, 2-pin, 1 for each relay present C-Bus (5752PP): Screw terminal, 4-pin	
Maximum operating temperature	50 °C (122°F) approved for use in a plenum.	
Operating humidity	10 to 90% RH (non-condensing)	
Dimensions (H x W x D)	203 mm (8.0 in.) x 200 mm (7.87 in.) x 60 mm (2.36 in.)	

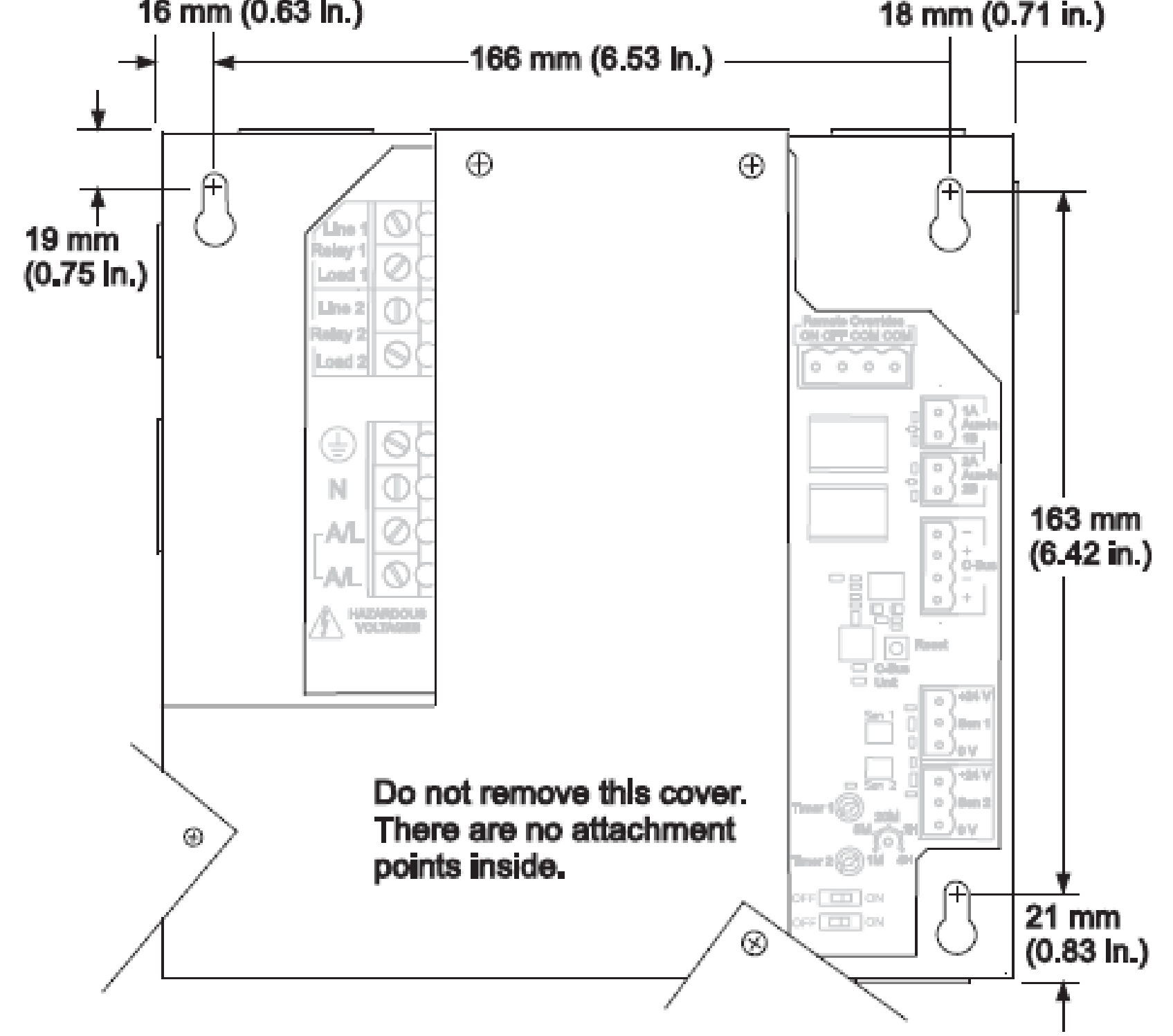
C-BUS NETWORK CABLE SIGNAL CONNECTIONS



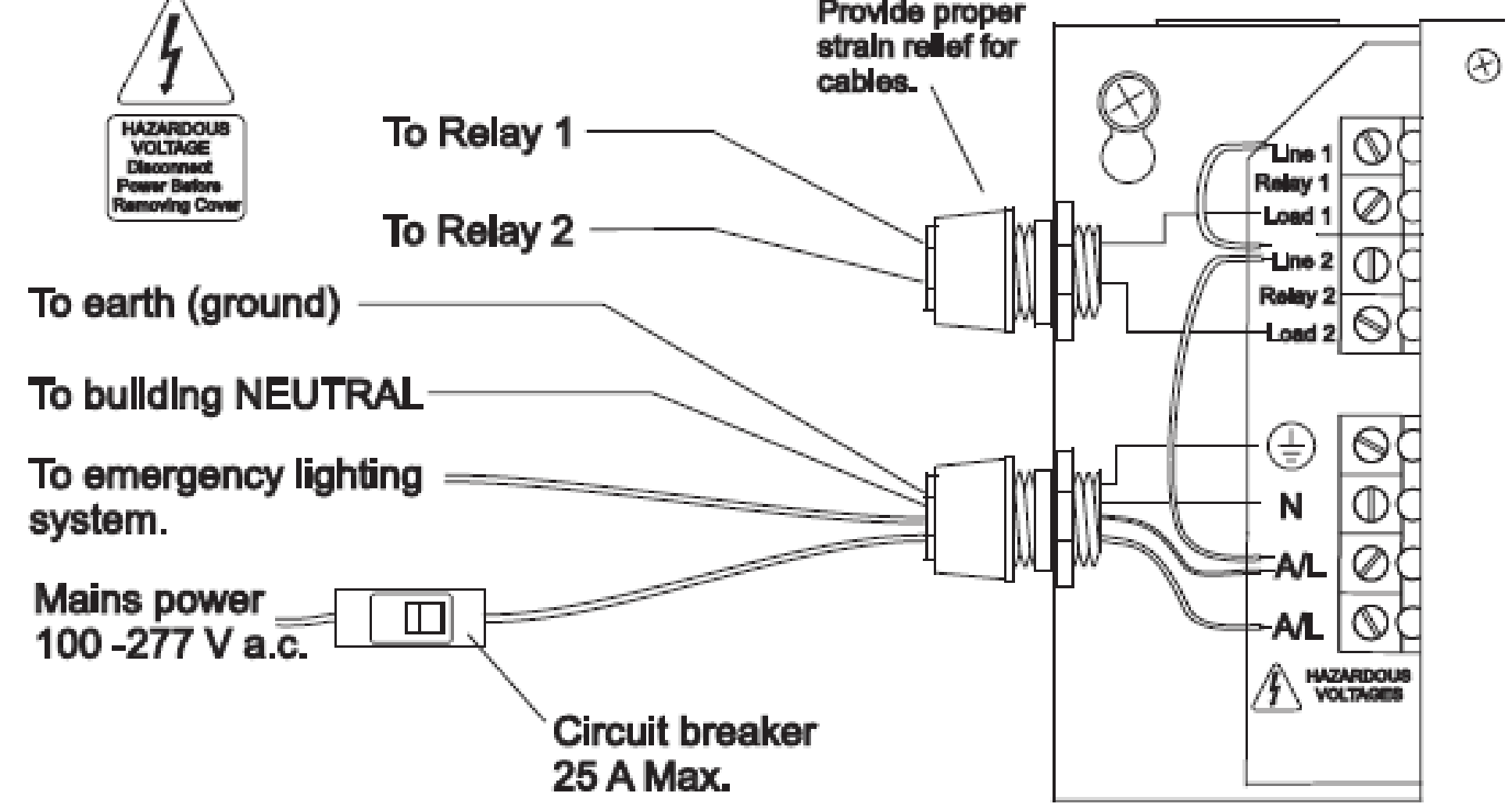
MOTION DETECTORS WIRING DETAILS



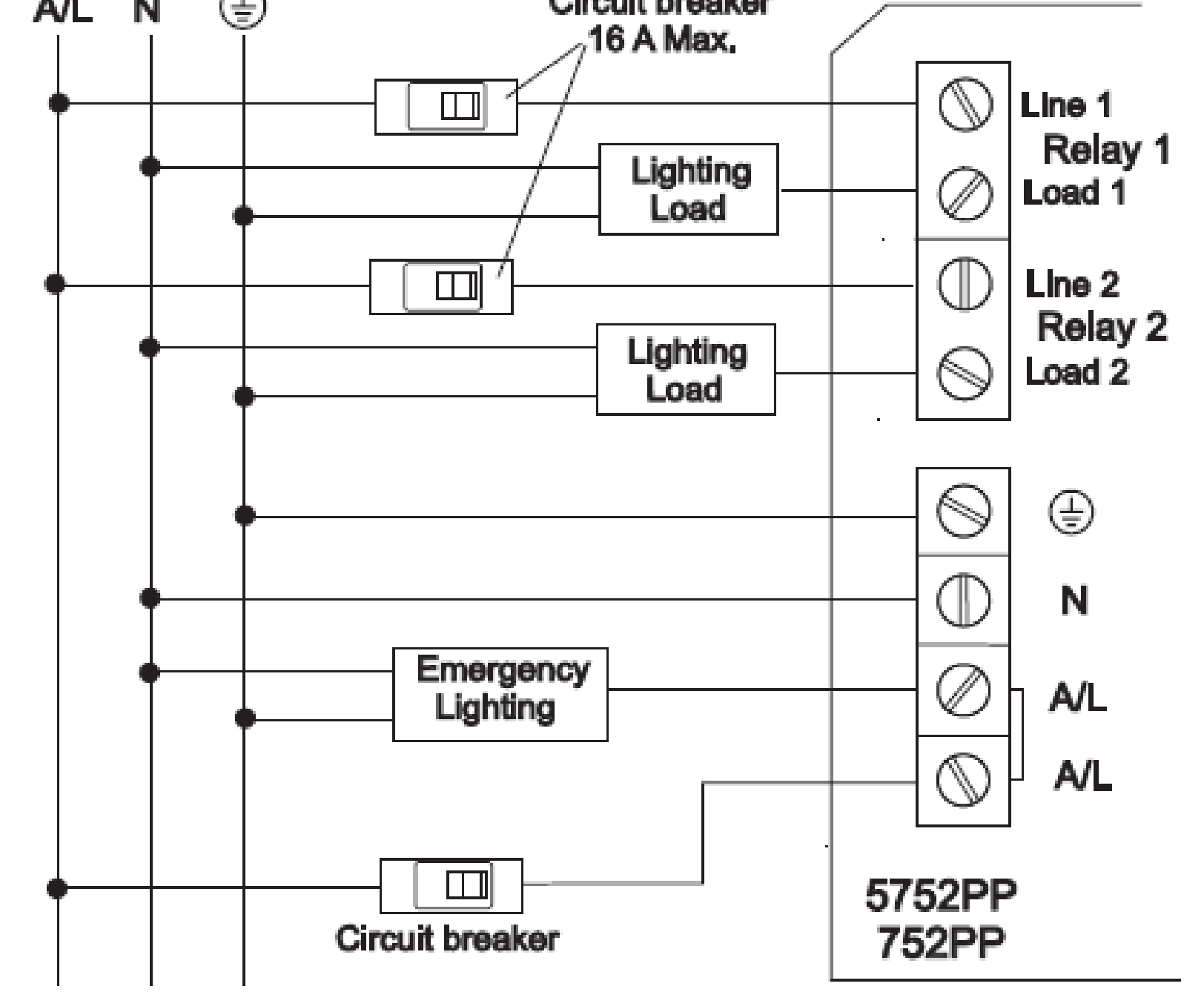
MOUNTING THE CONTROLLER



WIRING DIAGRAM USING A SINGLE MAINS INPUT CIRCUIT BREAKER



WIRING DIAGRAM USING A SEPARATE CIRCUIT BREAKER FOR EACH RELAY



*FOR TECHNICAL ASSISTANCE CONTACT SCHNEIDER ELECTRIC AT (855) 237-0788

EMAIL: Quotations: Lightingcontrol.quotations@us.schneider-electric.com
Tech Support: Lightingcontrol.support@us.schneider-electric.com

NOTICE:

THIS DOCUMENT DOES NOT TAKE THE PLACE OF THE INSTRUCTION BULLETIN THAT IS PROVIDED WITH THE DEVICE. ANY ADDITIONAL INFORMATION CAN BE FOUND IN THE INSTRUCTION BULLETIN.

CHECKED BY: -----
CHECKED DATE: xx-xx-xxxx
PLANT LOCATION: P48 (LIFESPACE - LA VERGNE)

DRAWN BY: STEPHEN R. SCHERMERHORN
ENGINEER: -----
DRAW DATE: 5-24-2013

©2013 SCHNEIDER ELECTRIC USA, INC.
ALL RIGHT RESERVED.

EQUIPMENT DESIGNATION: C-BUS/STANDALONE_OCCUPANCY_CONTROLLER

EQUIPMENT TYPE: OCCUPANCY_CONTROLLER

DRAWING TYPE: DEVICE_SPECIFICATION

DWG NO: OCCUPANCY_CONTROLLER | PG 1 OF 1 | REV -

