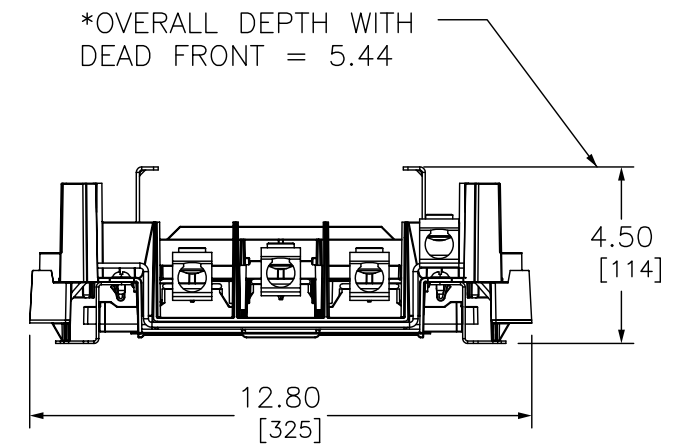
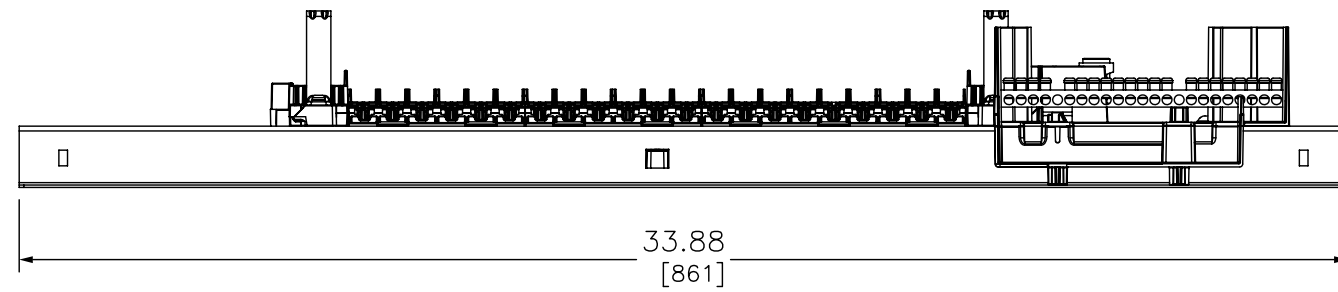
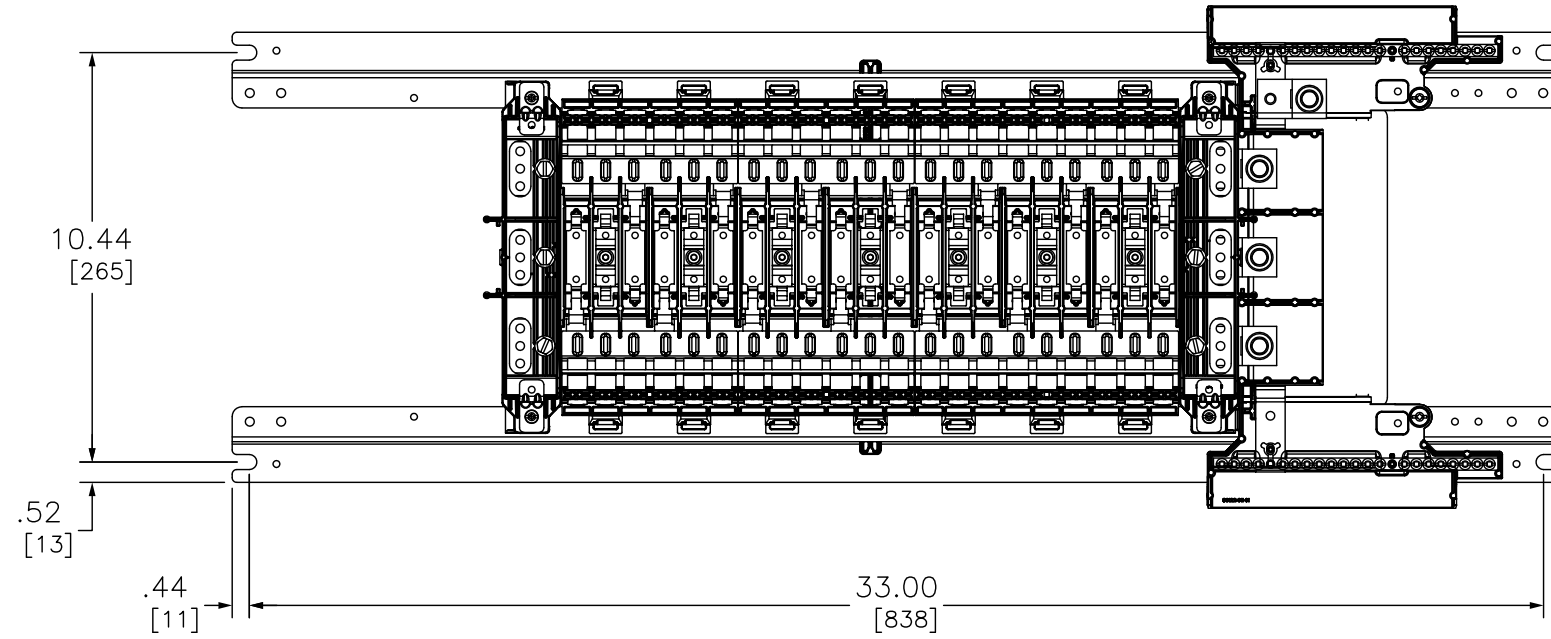


CATALOG	PHASE/WIRE	BUS THICKNESS	BUS MATERIAL	LUG SIZE
NQ442L2C	3P 4W	.25	CU	#6 - 350 KCMIL
NQ42L2C	1P 3W	.25	CU	#6 - 350 KCMIL
NQ442L2	3P 4W	.25	AL	#6 - 350 KCMIL
NQ42L2	1P 3W	.25	AL	#6 - 350 KCMIL



DUAL DIMENSIONS: INCHES
MILLIMETERS

42 CIRCUIT, 225A MAIN LUG NQ PANEL



DWG# NQ442L2X
NO.