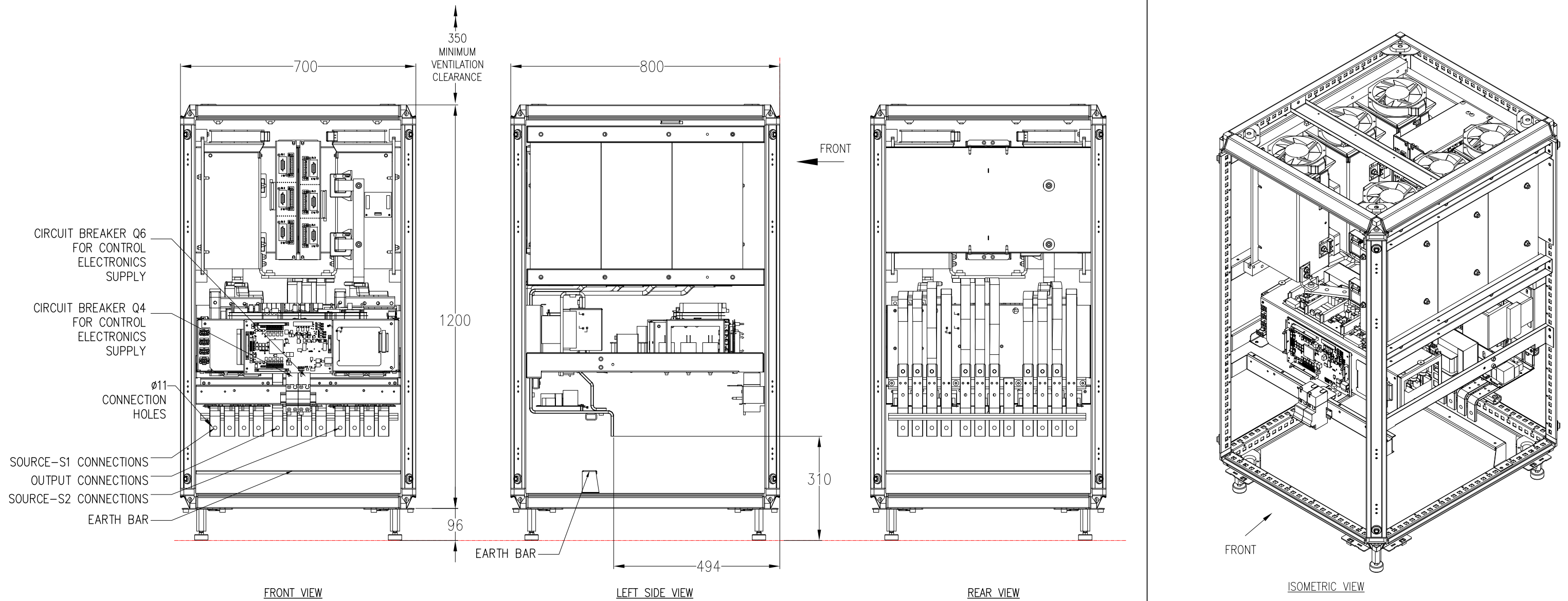


SKU - STS600-4POLE, IP00



- NOTES:
1. INSTALLATION SHALL COMPLY WITH ALL APPLICABLE NATIONAL AND LOCAL ELECTRICAL REGULATIONS.
  2. REFER TO PRODUCT MANUALS FOR ADDITIONAL DETAILS.
  3. ALL DIMENSIONS ARE IN MILLIMETERS UNLESS OTHERWISE SPECIFIED.
  4. WEIGHT OF UNIT IS 360 kg.

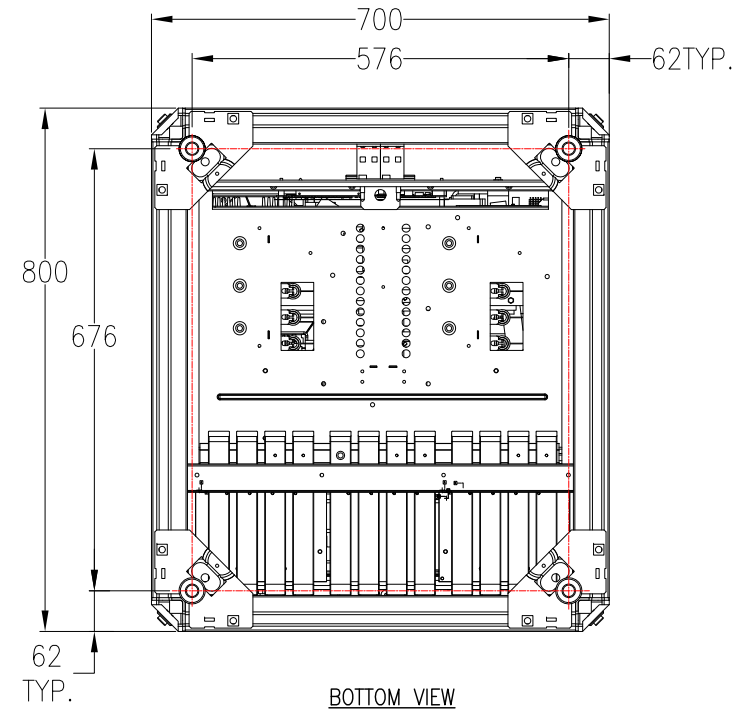
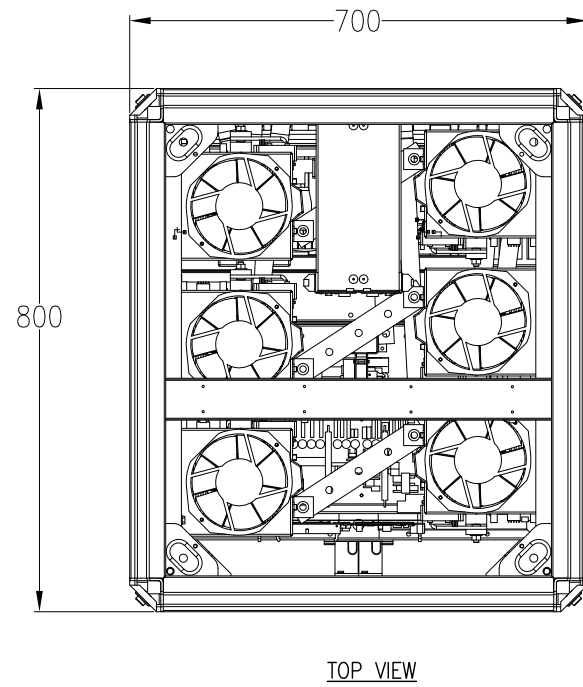
THIS DRAWING AND SPECIFICATIONS HEREIN ARE THE PROPERTY OF SCHNEIDER ELECTRIC AND SHALL NOT BE COPIED, REPRODUCED OR USED IN WHOLE OR IN PART, AS THE BASIS FOR THE MANUFACTURE OR SALE OF ITEMS WITHOUT WRITTEN PERMISSION FROM SCHNEIDER ELECTRIC. THIS DRAWING IS BASED UPON LATEST AVAILABLE INFORMATION AND IS SUBJECT TO CHANGE WITHOUT NOTICE.



TITLE: UPGRADE EPSILON STATIC TRANSFER SWITCH  
 Input: 380/400/415V AC 50/60Hz 3PH  
 Output: 380/400/415V AC 50/60Hz 3PH  
 STS600-4POLE, IP00  
 GENERAL ARRANGEMENT

PROJECT: SUBMITTAL DRAWINGS | SHEET 1 OF 2

DWG NO:	STS600-4P-IP00		REV:	0
DRAWN:	K.NAGENDRA	30-JAN-19	FIRST	ANGLE
ENGINEER:	SUDHEER.K.S	30-JAN-19	APPROVED:	JAKUB WOLSKI
APPROVED:	JAKUB WOLSKI	30-JAN-19	PROJECTION:	



- NOTES:**
1. INSTALLATION SHALL COMPLY WITH ALL APPLICABLE NATIONAL, STATE AND LOCAL ELECTRICAL REGULATIONS.
  2. PLEASE REFER TO PRODUCT MANUALS FOR ADDITIONAL DETAILS PRIOR TO INSTALLATION AND SITE PREPARATION WORK.
  3. ALL DIMENSIONS ARE IN MILLIMETERS.
  4. SOME STRUCTURAL DETAILS HAVE BEEN OMITTED FOR THE PURPOSE OF CLARITY.

THIS DRAWING AND SPECIFICATIONS HEREIN ARE THE PROPERTY OF SCHNEIDER ELECTRIC AND SHALL NOT BE COPIED, REPRODUCED OR USED IN WHOLE OR IN PART, AS THE BASIS FOR THE MANUFACTURE OR SALE OF ITEMS WITHOUT WRITTEN PERMISSION FROM SCHNEIDER ELECTRIC. THIS DRAWING IS BASED UPON LATEST AVAILABLE INFORMATION AND IS SUBJECT TO CHANGE WITHOUT NOTICE.



**TITLE**  
 MGE UPSILON STATIC TRANSFER SWITCH  
 Input: 380/400/415V AC 50/60Hz 3PH  
 Output: 380/400/415V AC 50/60HZ 3PH  
 STS600-4POLE, IP00  
 TOP AND BOTTOM VIEWS

PROJECT: SUBMITTAL DRAWINGS SHEET 2 OF 2

<b>DWG NO:</b>	STS600-4P-IP00		<b>REV.</b>	0
<b>DRAWN:</b>	K.NAGENDRA	30-JAN-19	<b>FIRST</b>	
<b>ENGINEER:</b>	SUDHEER.K.S	30-JAN-19	<b>ANGLE</b>	
<b>APPROVED:</b>	JAKUB WOLSKI	30-JAN-19	<b>PROJECTION:</b>	