

TABLE-1

Non-Seismic Unit - CENTER OF GRAVITY AND WEIGHT DETAILS

SKU	Center of Gravity in Inches [mm]			Weight lbs [kg]
	X-Distance	Y-Distance	Z-Distance	
GVSCBT1	11.3 [288]	28.6 [726]	13.5 [343]	1261 [573]

Seismic Unit - CENTER OF GRAVITY AND WEIGHT DETAILS

SKU	Center of Gravity in Inches [mm]			Weight lbs [kg]
	X-Distance	Y-Distance	Z-Distance	
GVSCBT1ST	11.3 [288]	28.6 [726]	13.5 [343]	1357 [617]

NOTES:

- INSTALLATION SHALL COMPLY WITH ALL APPLICABLE NATIONAL, STATE AND LOCAL CODES.
- REFER TO PRODUCT DOCUMENTATION FOR ADDITIONAL DETAILS PRIOR TO INSTALLATION AND SITE PREPARATION WORK.
- ALL DIMENSIONS ARE IN INCHES [MILLIMETERS].
- ONLY FRONT ACCESS REQUIRED FOR SERVICE. MINIMUM RECOMMENDED FRONT CLEARANCE IS 36.0 [914].
- CABLE ENTRY IS FROM TOP OR BOTTOM OF THE UNIT.
- WEIGHT AND CENTER OF GRAVITY DETAILS REFERS TO TABLE-1.
- OPERATING TEMPERATURE: 32°F TO 104°F [0°C TO 40°C]. RECOMMENDED TEMPERATURE AT 77°F[25°C].
- DOOR OPENS 110°.
- COLOR: RAL 9003, GLOSS LEVEL 85%.
- ALL CABINETS SHIPPED WITH SIDE PANELS.
- REMOVABLE COVER PLATE USED FOR ADJACENT CABLE CONNECTIONS TO UPS CABINET.

THIS DRAWING AND SPECIFICATIONS HEREIN ARE THE PROPERTY OF SCHNEIDER ELECTRIC AND SHALL NOT BE COPIED, REPRODUCED OR USED IN WHOLE OR IN PART, AS THE BASIS FOR THE MANUFACTURE OR SALE OF ITEMS WITHOUT WRITTEN PERMISSION FROM SCHNEIDER ELECTRIC. THIS DRAWING IS BASED UPON LATEST AVAILABLE INFORMATION AND IS SUBJECT TO CHANGE WITHOUT NOTICE.

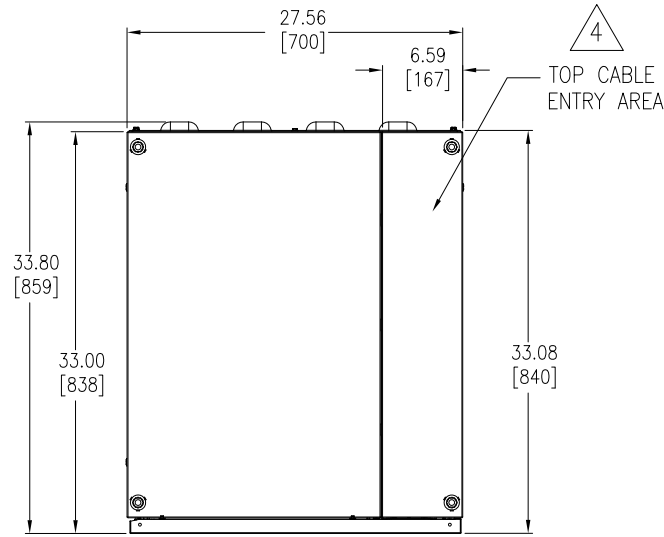


TITLE: GALAXY VS BATTERY CABINET UL TYPE-1, 32 BATTERIES
 Input:384Vdc
 Output:384Vdc
 GENERAL ARRANGEMENT

PROJECT: DRAWINGS SHEET 1 OF 7

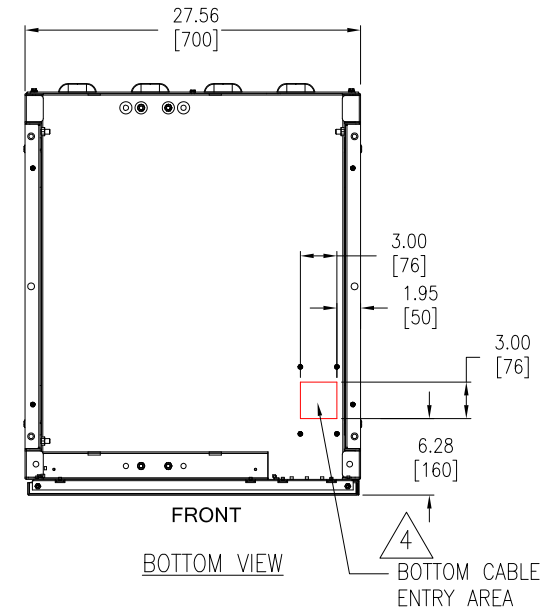
DWG NO:	GVSCBT1	REV.	0
DRAWN BY:	K.NAGENDRA	10-JAN-19	THIRD
ENGINEER:	I KENNEDY/J SMITH	10-JAN-19	ANGLE
APPROVED BY:	IRENE KENNEDY	10-JAN-19	PROJECTION

TOP ENTRY CONDUIT LOCATION

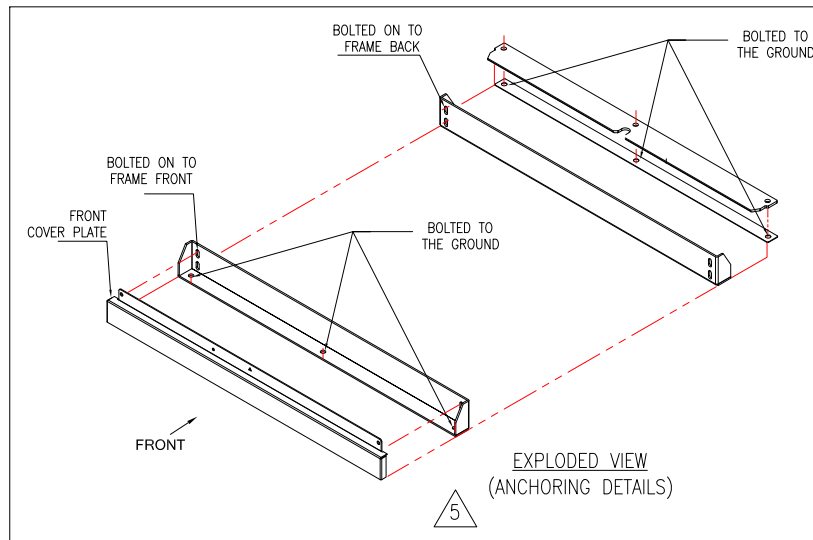


FRONT
TOP VIEW

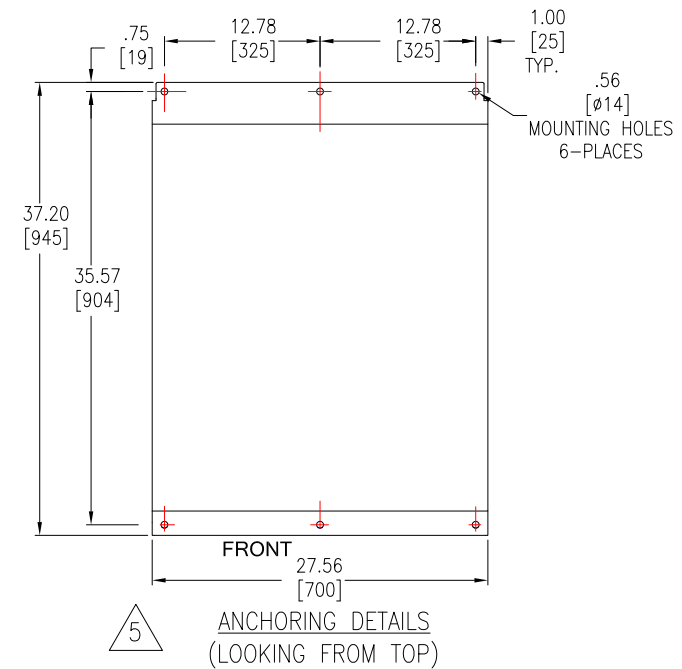
BOTTOM ENTRY CONDUIT LOCATION



FRONT
BOTTOM VIEW



EXPLODED VIEW
(ANCHORING DETAILS)



FRONT
ANCHORING DETAILS
(LOOKING FROM TOP)

NOTES:

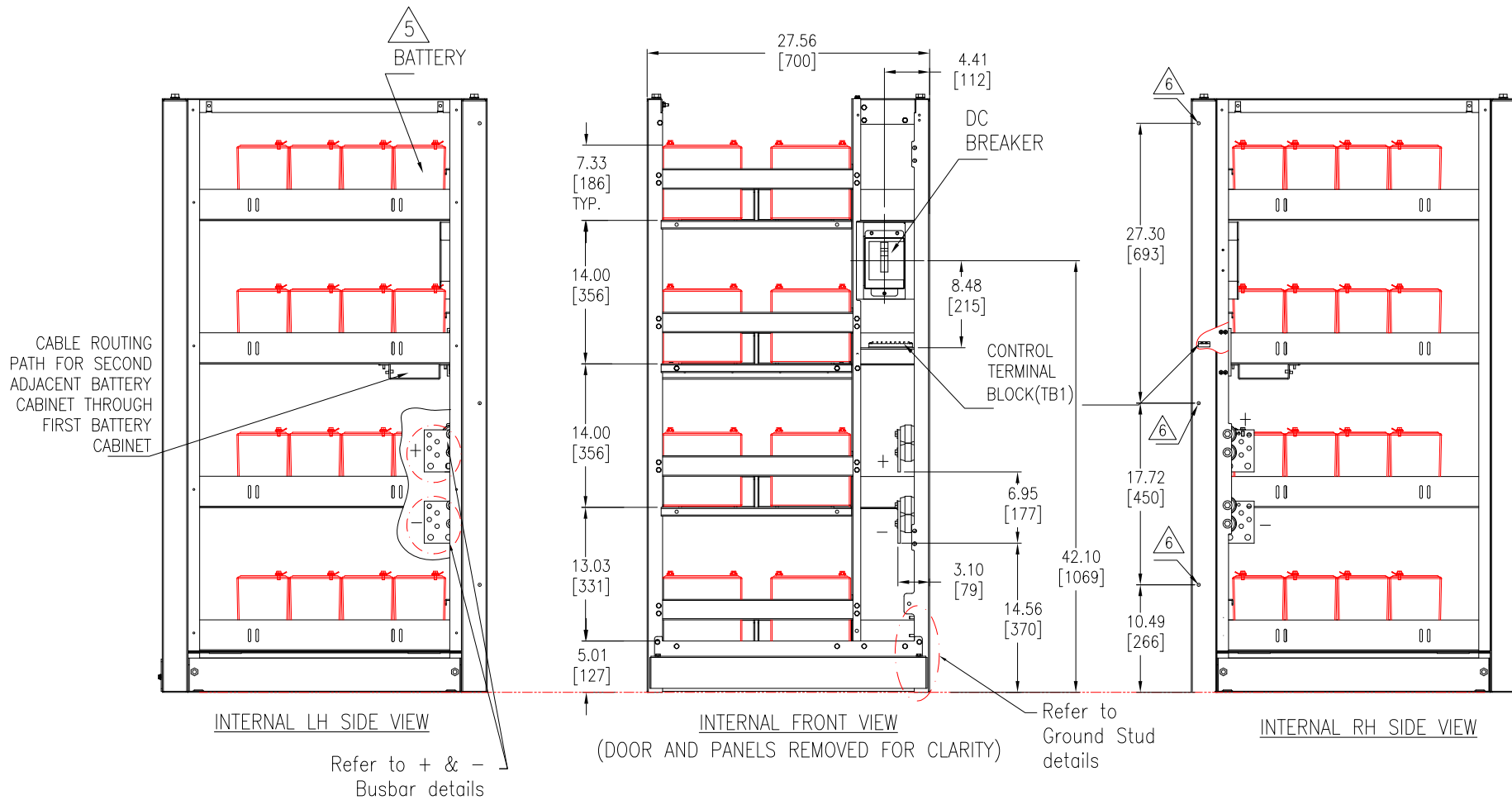
1. INSTALLATION SHALL COMPLY WITH ALL APPLICABLE NATIONAL, STATE AND LOCAL CODES.
2. REFER TO PRODUCT DOCUMENTATION FOR ADDITIONAL DETAILS PRIOR TO INSTALLATION AND SITE PREPARATION WORK.
3. ALL DIMENSIONS ARE IN INCHES [MILLIMETERS].
- △4. DRILL/PUNCH HOLES IN PLATE AS PER REQUIREMENT.
REMOVE PLATE FROM CABINET BEFORE DRILLING/PUNCHING.
- △5. APPLIES TO SKU GVSCBT1ST ONLY.

THIS DRAWING AND SPECIFICATIONS HEREIN ARE THE PROPERTY OF SCHNEIDER ELECTRIC AND SHALL NOT BE COPIED, REPRODUCED OR USED IN WHOLE OR IN PART, AS THE BASIS FOR THE MANUFACTURE OR SALE OF ITEMS WITHOUT WRITTEN PERMISSION FROM SCHNEIDER ELECTRIC. THIS DRAWING IS BASED UPON LATEST AVAILABLE INFORMATION AND IS SUBJECT TO CHANGE WITHOUT NOTICE.



TITLE: GALAXY VS BATTERY CABINET UL TYPE-1, 32 BATTERIES
Input: 384Vdc
Output: 384Vdc
TOP & BOTTOM VIEW, ANCHORING DETAILS
PROJECT: DRAWINGS SHEET 2 OF 7

DWG NO:	GVSCBT1	REV.	0
DRAWN BY:	K.NAGENDRA	10-JAN-19	THIRD
ENGINEER:	I KENNEDY/J SMITH	10-JAN-19	ANGLE
APPROVED BY:	IRENE KENNEDY	10-JAN-19	PROJECTION

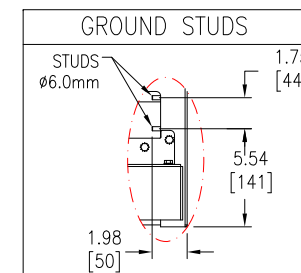
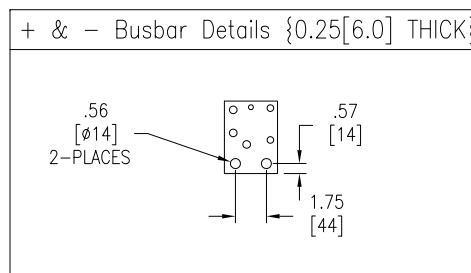


TORQUE SPECIFICATIONS

M6	5.0Nm (3.60lb-ft)
M8	17.5Nm (12.91lb-ft)
M10	30.0Nm (22.0lb-ft)
M12	50.0Nm (36.87lb-ft)

NOTES:

1. INSTALLATION SHALL COMPLY WITH ALL APPLICABLE NATIONAL, STATE AND LOCAL CODES.
2. REFER TO PRODUCT DOCUMENTATION FOR ADDITIONAL DETAILS PRIOR TO INSTALLATION AND SITE PREPARATION WORK.
3. ALL DIMENSIONS ARE IN INCHES [MILLIMETERS].
4. FOR BATTERY INTERFACE DETAILS REFER TO UPS INSTALLATION MANUAL.
5. BATTERY ARRANGEMENT SHOWN ABOVE IS TYPICAL.
6. FOR ADJACENT BATTERY CABINET FRAME CONNECTION TO UPS: REMOVE LEFT SIDE PANEL AND PLATE FROM UPS. REMOVE KNOCKOUTS (THREE PLACES) ON RIGHT FRONT SIDE OF BATTERY CABINET FRAME. PLACE BATTERY CABINET NEXT TO UPS. LINE UP HOLES AND SECURE WITH M6 HARDWARE INCLUDED WITH BATTERY CABINET.



THIS DRAWING AND SPECIFICATIONS HEREIN ARE THE PROPERTY OF SCHNEIDER ELECTRIC AND SHALL NOT BE COPIED, REPRODUCED OR USED IN WHOLE OR IN PART, AS THE BASIS FOR THE MANUFACTURE OR SALE OF ITEMS WITHOUT WRITTEN PERMISSION FROM SCHNEIDER ELECTRIC. THIS DRAWING IS BASED UPON LATEST AVAILABLE INFORMATION AND IS SUBJECT TO CHANGE WITHOUT NOTICE.



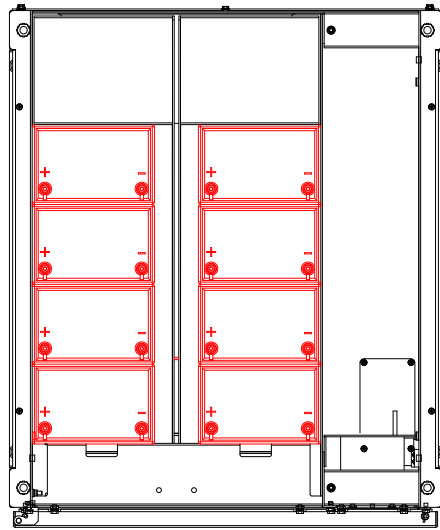
TITLE: GALAXY VS BATTERY CABINET UL TYPE-1, 32 BATTERIES

Input: 384Vdc
Output: 384Vdc
INTERNAL VIEW

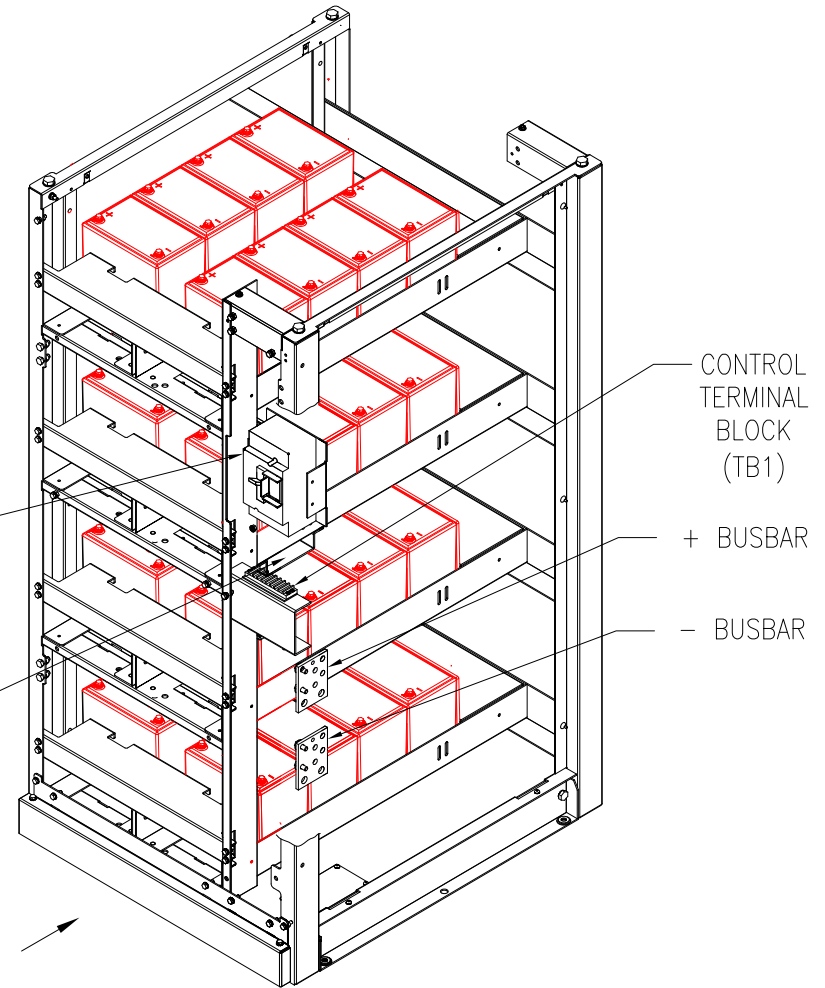
PROJECT: DRAWINGS **SHEET** 3 OF 7

DWG NO: GVSCBT1 **REV.** 1

DRAWN BY: JAYAPRAKASH	28-MAR-19	THIRD
ENGINEER: I KENNEDY/J SMITH	28-MAR-19	ANGLE
APPROVED BY: IRENE KENNEDY	28-MAR-19	PROJECTION



SECTIONAL VIEW A-A
TOP VIEW
(BATTERY SHOWN FOR REFERENCE)



DC BREAKER
150A

△4
TEMPERATURE
SENSOR
(ROUTE FROM
UPS CABINET FOR
ADJACENT BATTERY
CABINET)

CONTROL
TERMINAL
BLOCK
(TB1)

+ BUSBAR

- BUSBAR

FRONT

INTERNAL ISOMETRIC VIEW
(FRAME CUT AND SHOWN FOR CONVENIENCE)

NOTES:

1. INSTALLATION SHALL COMPLY WITH ALL APPLICABLE NATIONAL, STATE AND LOCAL CODES.
2. REFER TO PRODUCT DOCUMENTATION FOR ADDITIONAL DETAILS PRIOR TO INSTALLATION AND SITE PREPARATION WORK.
3. FOR CONNECTION DETAILS REFER TO UPS INSTALLATION MANUAL.
- △4. THE TEMPERATURE SENSOR IS SUPPLIED IN THE UPS CABINET.
FOR ADJACENT BATTERY CABINET, CONNECT IN THE UPS, ROUTE AND MOUNT SENSOR WHERE SHOWN IN THE BATTERY CABINET.
FOR REMOTE BATTERY CABINET, CONNECT TO TERMINAL BLOCK IN BATTERY CABINET. CONNECTION FROM BATTERY TO UPS NOT PROVIDED.
REFER TO SHEET-6 FOR CONNECTION DETAILS.
5. REMOVABLE PAD-LOCK PROVIDED FOR DC BREAKER.

THIS DRAWING AND SPECIFICATIONS HEREIN ARE THE PROPERTY OF SCHNEIDER ELECTRIC AND SHALL NOT BE COPIED, REPRODUCED OR USED IN WHOLE OR IN PART, AS THE BASIS FOR THE MANUFACTURE OR SALE OF ITEMS WITHOUT WRITTEN PERMISSION FROM SCHNEIDER ELECTRIC. THIS DRAWING IS BASED UPON LATEST AVAILABLE INFORMATION AND IS SUBJECT TO CHANGE WITHOUT NOTICE.



TITLE: GALAXY VS
BATTERY CABINET UL TYPE-1, 32 BATTERIES
Input: 384Vdc
Output: 384Vdc
INTERNAL DETAILS

DWG NO:	GVSCBT1	REV:	0
DRAWN BY:	K.NAGENDRA	10-JAN-19	THIRD
ENGINEER:	I KENNEDY/J SMITH	10-JAN-19	ANGLE
APPROVED BY:	IRENE KENNEDY	10-JAN-19	PROJECTION

PROJECT: DRAWINGS SHEET 4 OF 7

BATTERY RUNTIMES (minutes) at Full Load (calculated)				Classic Battery Cabinets					
				1x GVSCBT1 1x GVSCBT1ST			2x GVSCBT1 2x GVSCBT1ST		
				28" / 700mm Wide			2x 28" / 700mm Wide		
				32 Batteries			32 Batteries		
		UPS SKU	PF 0.8	PF 0.9	PF 1	PF 0.8	PF 0.9	PF 1	
GALAXY VS (1 PM)	480V	20kW	GVSUPS20KGS	26.0	22.0	19.0	63.0	54.5	47.5
		30kW	GVSUPS30KGS	15.0	12.5	11.0	38.0	32.5	28.5
		40kW	GVSUPS40KGS	10.0	8.5	7.2	26.0	22.5	19.5
		50kW	GVSUPS50KGS	N/A	N/A	N/A	N/A	N/A	N/A
GALAXY VS (2 PM)	480V	60kW	GVSUPS60KGS	N/A	N/A	N/A	N/A	N/A	N/A
		80kW	GVSUPS80KGS	N/A	N/A	N/A	N/A	N/A	N/A
		100kW	GVSUPS100KGS	N/A	N/A	N/A	N/A	N/A	N/A
GALAXY VS (1 PM)	208V	10kW	GVSUPS10KFS	62.0	53.5	47.0	145.0	125.0	110.0
		15kW	GVSUPS15KFS	37.0	32.0	28.0	89.5	77.5	68.0
		20kW	GVSUPS20KFS	25.5	22.0	19.0	62.5	54.0	47.5
		25kW	GVSUPS25KFS	19.0	16.0	14.0	47.5	40.5	35.5
GALAXY VS (2 PM)	208V	30kW	GVSUPS30KFS	15.0	12.5	10.5	37.5	32.0	28.0
		40kW	GVSUPS40KFS	9.9	8.3	7.1	25.5	22.0	19.0
		50kW	GVSUPS50KFS	7.1	5.8	5.0	19.0	16.0	14.0

CANADIAN EMERGENCY LIGHTING AND POWER SYSTEM PER CSA 22.2 NO. 141-15						
UPS			Battery Cabinet			Runtime
Voltage	Rated Output kW (kVA)	UPS SKU	Battery SKU	Battery Model	Number of battery cabinets	Minutes
208V	10	GVSUPS10KFS	GVSCBT1 *	EnerSys 12HX135	1	30

* Add ST to battery SKU number for Seismic cabinets

NOTES:

1. INSTALLATION SHALL COMPLY WITH ALL APPLICABLE NATIONAL, STATE AND LOCAL CODES.
2. REFER TO PRODUCT DOCUMENTATION FOR ADDITIONAL DETAILS PRIOR TO INSTALLATION AND SITE PREPARATION WORK.

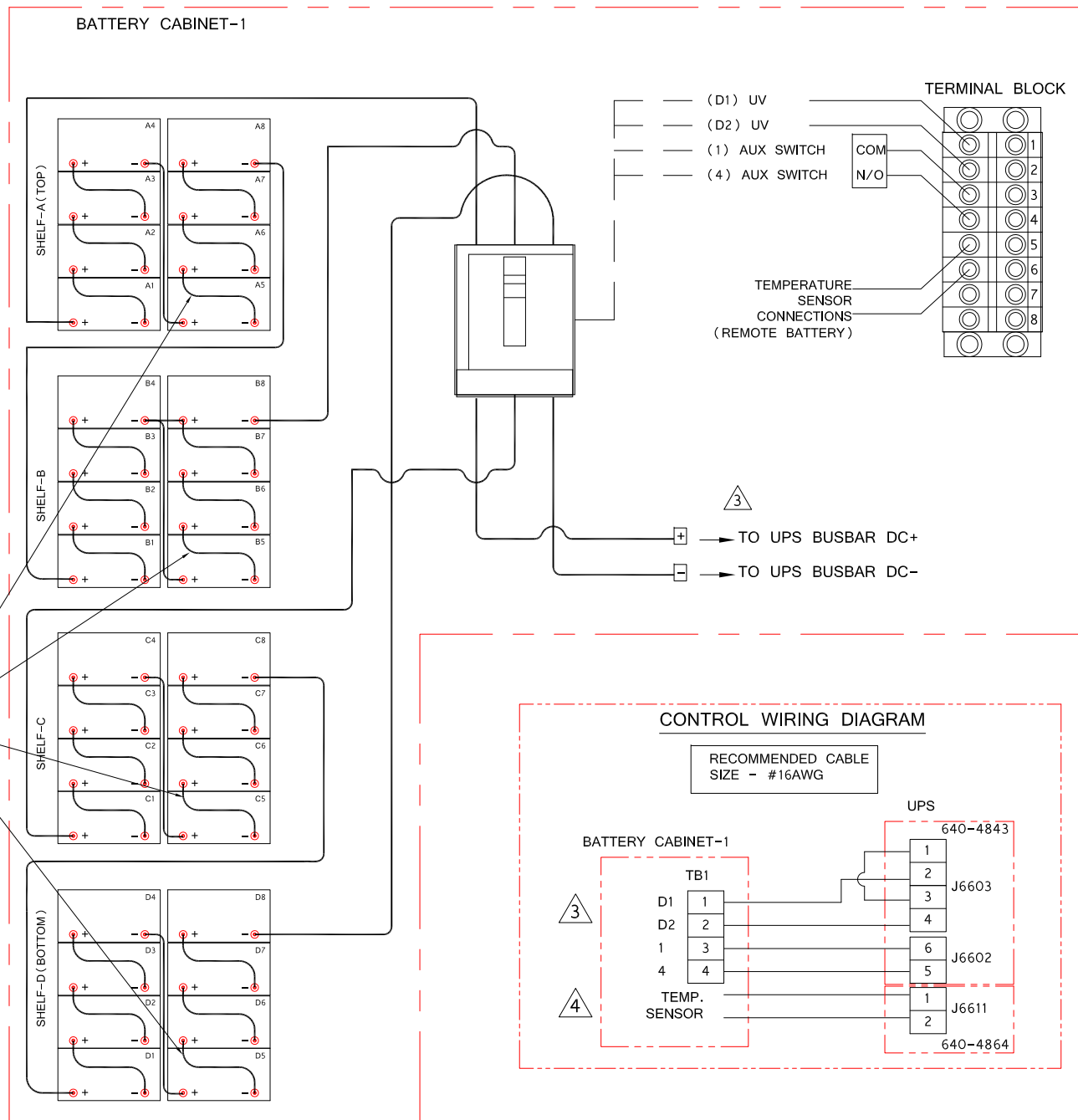
THIS DRAWING AND SPECIFICATIONS HEREIN ARE THE PROPERTY OF SCHNEIDER ELECTRIC AND SHALL NOT BE COPIED, REPRODUCED OR USED IN WHOLE OR IN PART, AS THE BASIS FOR THE MANUFACTURE OR SALE OF ITEMS WITHOUT WRITTEN PERMISSION FROM SCHNEIDER ELECTRIC. THIS DRAWING IS BASED UPON LATEST AVAILABLE INFORMATION AND IS SUBJECT TO CHANGE WITHOUT NOTICE.



TITLE: GALAXY VS
BATTERY CABINET UL TYPE-1, 32 BATTERIES
Input:384Vdc
Output:384Vdc
RUNTIME DATA & SPECIFICATION
PROJECT: DRAWINGS SHEET 5 OF 7

DWG NO:	GVSCBT1	REV.	1
DRAWN BY:	JAYAPRAKASH	28-MAR-19	THIRD
ENGINEER:	I KENNEDY/J SMITH	28-MAR-19	ANGLE
APPROVED BY:	IRENE KENNEDY	28-MAR-19	PROJECTION

TYPICAL CABLING DIAGRAM (ONE CABINET)



NOTES:

- INSTALLATION SHALL COMPLY WITH ALL APPLICABLE NATIONAL, STATE AND LOCAL CODES.
- REFER TO PRODUCT DOCUMENTATION FOR ADDITIONAL DETAILS PRIOR TO INSTALLATION AND SITE PREPARATION WORK.
- POWER AND CONTROL CABLES ARE PROVIDED. FOR USE ONLY WITH ADJACENT BATTERY CABINET INSTALLATION ON LEFT SIDE OF UPS CABINET.
- TEMPERATURE SENSOR OM-1160 IS SUPPLIED IN THE UPS CABINET.
- STRING DISCONNECT CABLES ARE REMOVED FROM EACH SHELF PRIOR TO SHIPMENT. RE-CONNECT PRIOR TO CABINET INSTALLATION. TORQUE CABLES TO BATTERY MANUFACTURER'S SPECIFICATION.

THIS DRAWING AND SPECIFICATIONS HEREIN ARE THE PROPERTY OF SCHNEIDER ELECTRIC AND SHALL NOT BE COPIED, REPRODUCED OR USED IN WHOLE OR IN PART, AS THE BASIS FOR THE MANUFACTURE OR SALE OF ITEMS WITHOUT WRITTEN PERMISSION FROM SCHNEIDER ELECTRIC. THIS DRAWING IS BASED UPON LATEST AVAILABLE INFORMATION AND IS SUBJECT TO CHANGE WITHOUT NOTICE.

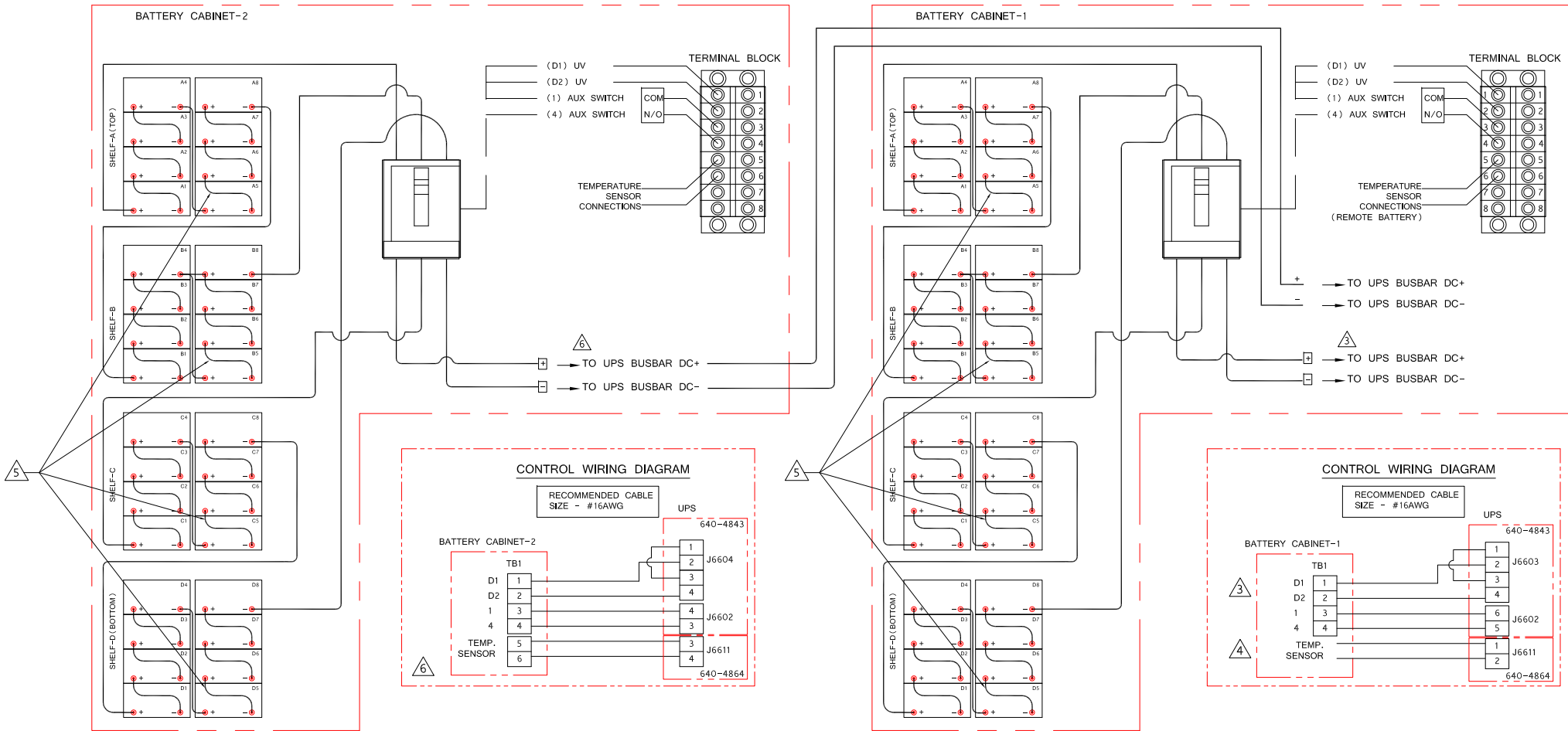


TITLE: GALAXY VS
1xBATTERY CABINET UL TYPE-1, 32 BATTERIES
Input:384Vdc
Output:384Vdc
CABLING DETAILS-1

DWG NO: GVSCBT1
REV. 2
DRAWN BY: K.NAGENDRA 30-MAY-19 THIRD
ENGINEER: I KENNEDY/J SMITH 30-MAY-19 ANGLE
APPROVED BY: IRENE KENNEDY 30-MAY-19 PROJECTION

PROJECT: DRAWINGS **SHEET** 6 OF 7

TYPICAL CABLING DIAGRAM (TWO CABINETS)



NOTES:

1. INSTALLATION SHALL COMPLY WITH ALL APPLICABLE NATIONAL, STATE AND LOCAL CODES.
2. REFER TO PRODUCT DOCUMENTATION FOR ADDITIONAL DETAILS PRIOR TO INSTALLATION AND SITE PREPARATION WORK.
- △ 3. POWER AND CONTROL CABLES ARE PROVIDED. FOR USE ONLY WITH ADJACENT BATTERY CABINET INSTALLATION ON LEFT SIDE OF UPS CABINET.
- △ 4. TEMPERATURE SENSOR OM-1160 IS SUPPLIED IN THE UPS CABINET.
- △ 5. STRING DISCONNECT CABLES ARE REMOVED FROM EACH SHELF PRIOR TO SHIPMENT. RE-CONNECT PRIOR TO CABINET INSTALLATION. TORQUE CABLES TO BATTERY MANUFACTURER'S SPECIFICATION.
- △ 6. ADJACENT BATTERY CABINET-2 INSTALLATION REQUIRES OPTIONAL CABLE KIT "GVSOPT011" FOR CONNECTION TO UPS. DISCARD PRE-INSTALLED POWER AND COMMUNICATION CABLES. ADDITIONAL TEMPERATURE SENSOR OJ-OM-1160 REQUIRED.
7. BATTERY CABINET-1 AND BATTERY CABINET-2 EACH CONNECT DIRECTLY TO THE UPS CABINET. NO DAISY CHAIN CONNECTIONS BETWEEN BATTERY CABINETS.
8. REMOTE BATTERY CABLES PROVIDED BY OTHERS.

THIS DRAWING AND SPECIFICATIONS HEREIN ARE THE PROPERTY OF SCHNEIDER ELECTRIC AND SHALL NOT BE COPIED, REPRODUCED OR USED IN WHOLE OR IN PART, AS THE BASIS FOR THE MANUFACTURE OR SALE OF ITEMS WITHOUT WRITTEN PERMISSION FROM SCHNEIDER ELECTRIC. THIS DRAWING IS BASED UPON LATEST AVAILABLE INFORMATION AND IS SUBJECT TO CHANGE WITHOUT NOTICE.



TITLE: GALAXY VS
2xBATTERY CABINET UL TYPE-1, 32 BATTERIES
Input:384Vdc
Output:384Vdc
CABLING DETAILS-2
PROJECT: DRAWINGS SHEET 7 OF 7

DWG NO:	GVSCBT1	REV.	2
DRAWN BY:	K.NAGENDRA	30-MAY-19	THIRD
ENGINEER:	I KENNEDY/J SMITH	30-MAY-19	ANGLE
APPROVED BY:	IRENE KENNEDY	30-MAY-19	PROJECTION