

FRONT VIEW

LH SIDE VIEW

REAR VIEW

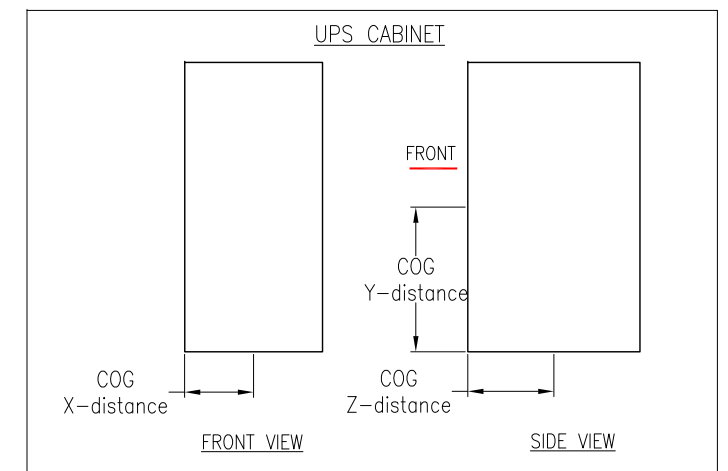
NOTES:

1. INSTALLATION SHALL COMPLY WITH ALL APPLICABLE NATIONAL, STATE AND LOCAL ELECTRICAL REGULATIONS.
2. REFER TO PRODUCT DOCUMENTATION FOR ADDITIONAL DETAILS PRIOR TO INSTALLATION AND SITE PREPARATION WORK.
3. ALL DIMENSIONS ARE IN MILLIMETERS.
- △ 4. FRONT ACCESS REQUIRED FOR SERVICE.
MINIMUM REQUIRED FRONT CLEARANCE IS 980. REAR CLEARANCE REQUIRED IS 150.
5. ALL DIMENSIONS EXCLUDES SCREW PROJECTIONS OUTSIDE THE ENCLOSURE.
6. CABLE ENTRY IS FROM BOTTOM OR REAR OF THE UNIT.
7. REFER TO TABLE FOR THE WEIGHT OF THE UNIT.
8. OPERATING TEMPERATURE: 0°C TO 40°C.
9. PROTECTION CLASS: IP20 (IP32 OPTIONAL).
10. COLOR: RAL 9003 WHITE.
- △ 11. THIS INFORMATION PROVIDES APPROXIMATE CENTER OF GRAVITY CALCULATION.
12. DOOR IS BOTTOM HINGED WITH HOOKS. CAN BE COMPLETELY REMOVABLE.
- △ 13. DRILL/PUNCH HOLES IN PLATE. REMOVE PLATE FROM CABINET BEFORE DRILLING/PUNCHING.
14. MAINTENANCE BYPASS UNIT SHOULD BE MOUNTED ONLY ON RIGHT SIDE OF UPS CABINET. FOR INSTALLATION PROCEDURE REFER TO THE INSTALLATION MANUAL.



CENTER OF GRAVITY AND WEIGHT DETAILS

RATING	Center of Gravity in mm			Weight lbs [kg]
	X-Distance	Y-Distance	Z-Distance	
20-50kW	260	825	405	210
60-100kW	260	888	401	250



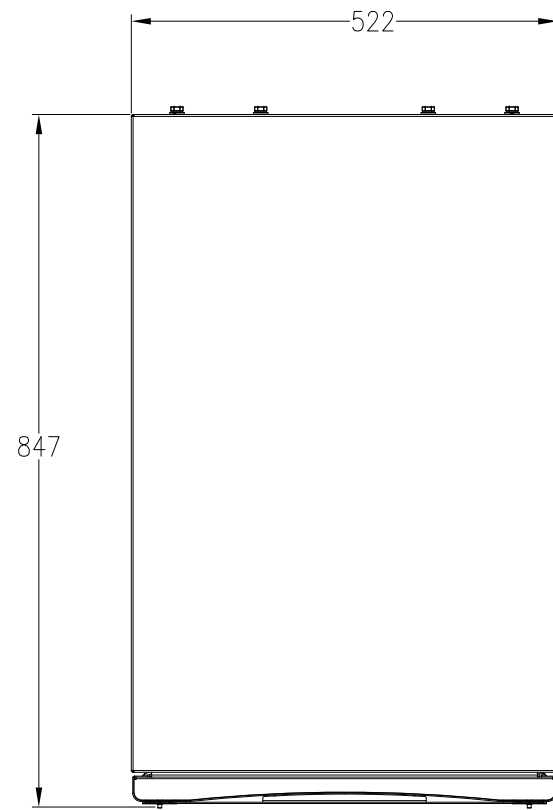
THIS DRAWING AND SPECIFICATIONS HEREIN ARE THE PROPERTY OF SCHNEIDER ELECTRIC AND SHALL NOT BE COPIED, REPRODUCED OR USED IN WHOLE OR IN PART, AS THE BASIS FOR THE MANUFACTURE OR SALE OF ITEMS WITHOUT WRITTEN PERMISSION FROM SCHNEIDER ELECTRIC. THIS DRAWING IS BASED UPON LATEST AVAILABLE INFORMATION AND IS SUBJECT TO CHANGE WITHOUT NOTICE.



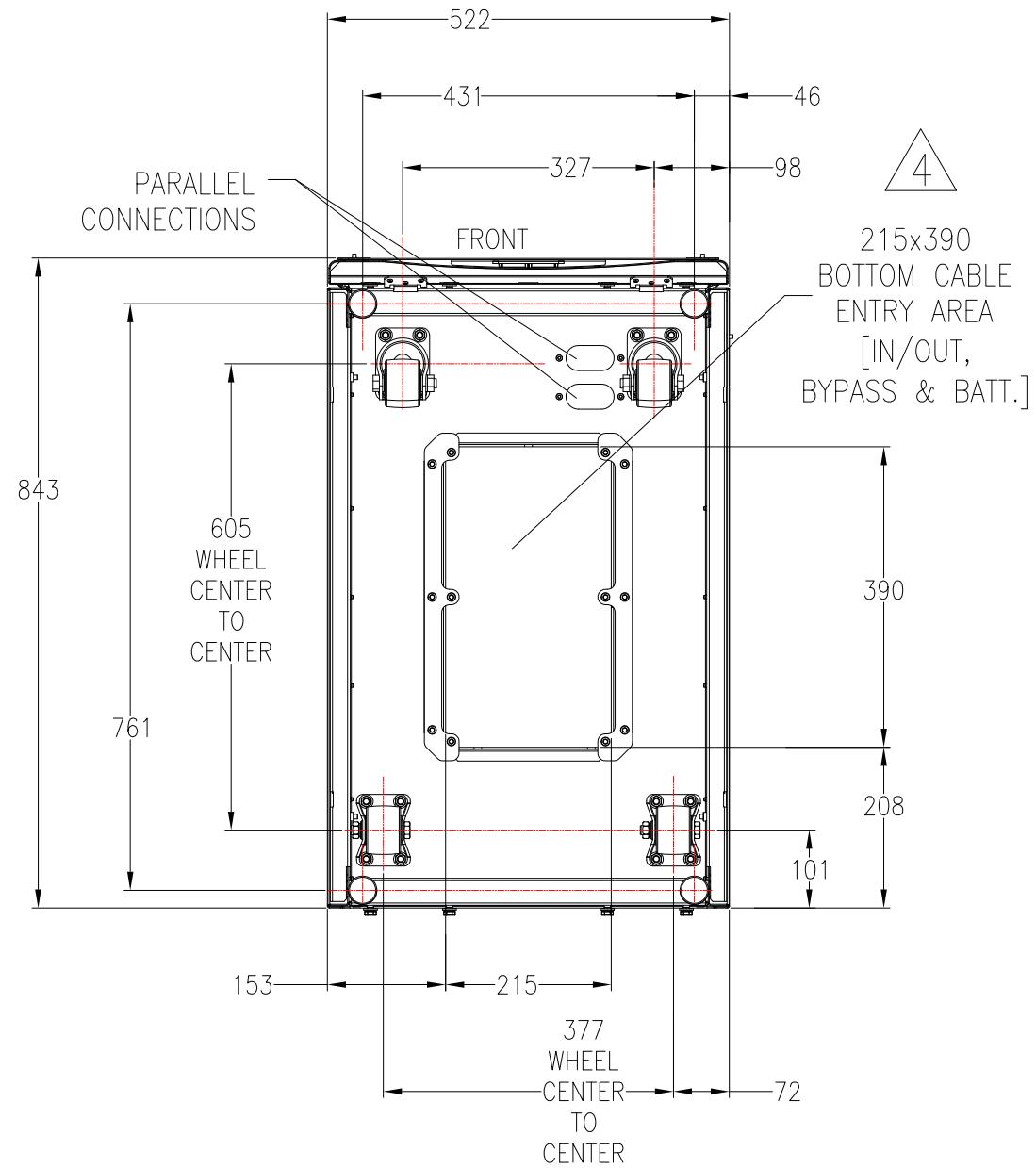
TITLE: GALAXY VS
UPS 20-100kW
INPUT: 400V, 3PH, 60Hz
OUTPUT: 400V, 3PH OR 3PH+N, 50-60Hz
GENERAL ARRANGEMENT
PROJECT: SUBMITTAL DRAWINGS SHEET 1 OF 4

DWG NO: GVSUPS20K100HS
DRAWN: K.NAGENDRA 01-FEB-19
ENGINEER: H NICOLAISEN/P BONDE 01-FEB-19
APPROVED: HENRIK NICOLAISEN 01-FEB-19

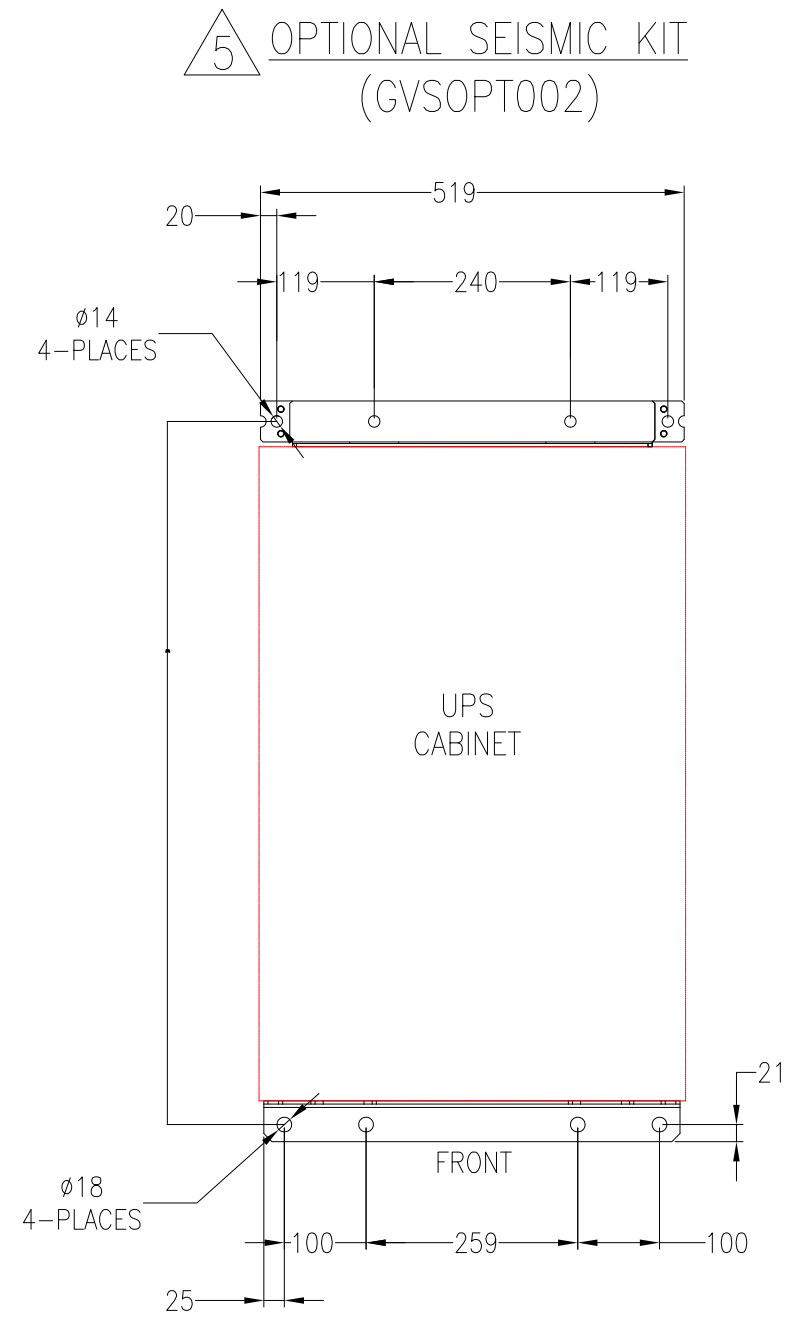
REV. 1
FIRST ANGLE PROJECTION:



FRONT
TOP VIEW



BOTTOM VIEW



ANCHORING DETAILS
(BOTTOM VIEW-LOOKING FROM TOP)

NOTES:

1. INSTALLATION SHALL COMPLY WITH ALL APPLICABLE NATIONAL, STATE AND LOCAL ELECTRICAL REGULATIONS.
2. REFER TO PRODUCT MANUALS FOR ADDITIONAL DETAILS PRIOR TO INSTALLATION AND SITE PREPARATION WORK.
3. ALL DIMENSIONS ARE IN MILLIMETERS.
- △ 4. DRILL/PUNCH HOLES IN PLATE. REMOVE PLATE FROM CABINET BEFORE DRILLING/PUNCHING.
- △ 5. FIXATION OF ANCHORING BRACKETS IS OPTIONAL IN NON-SEISMIC LOCATIONS.

THIS DRAWING AND SPECIFICATIONS HEREIN ARE THE PROPERTY OF SCHNEIDER ELECTRIC AND SHALL NOT BE COPIED, REPRODUCED OR USED IN WHOLE OR IN PART, AS THE BASIS FOR THE MANUFACTURE OR SALE OF ITEMS WITHOUT WRITTEN PERMISSION FROM SCHNEIDER ELECTRIC. THIS DRAWING IS BASED UPON LATEST AVAILABLE INFORMATION AND IS SUBJECT TO CHANGE WITHOUT NOTICE.

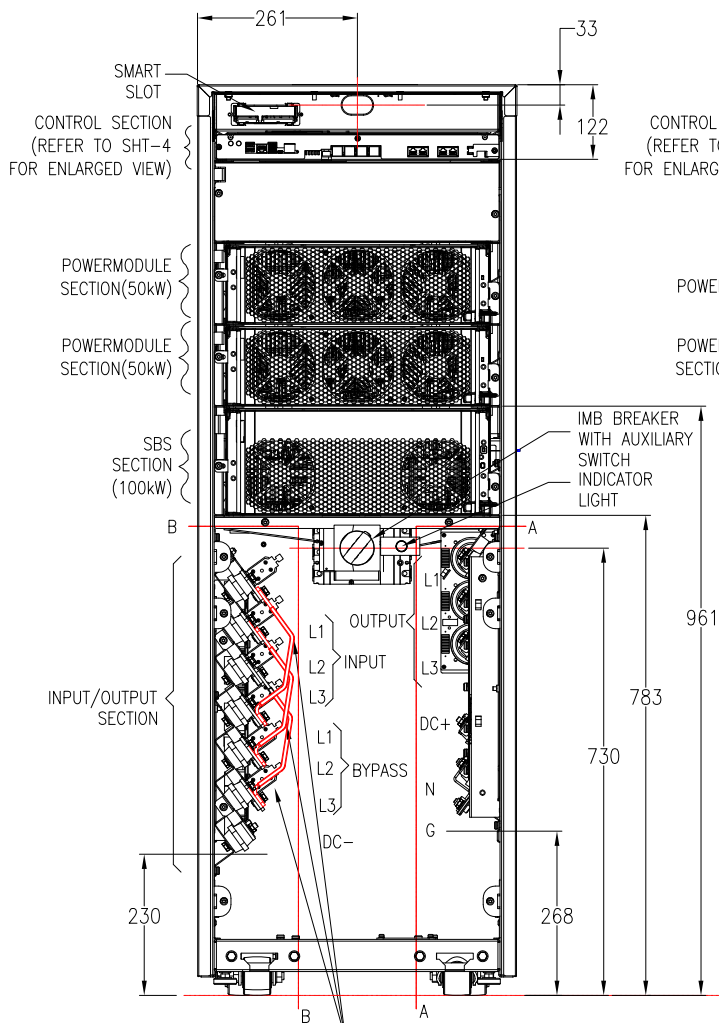


TITLE: GALAXY VS
UPS 20-100kW
INPUT: 400V, 3PH, 60Hz
OUTPUT: 400V, 3PH OR 3PH+N, 50-60Hz
TOP-BOTTOM VIEWS AND ANCHORING

PROJECT: SUBMITTAL DRAWINGS | SHEET 2 OF 4

DWG NO:	GVSUPS20K100HS		REV:	0
DRAWN:	K.NAGENDRA	07-JAN-19	FIRST	ANGLE
ENGINEER:	H NICOLAISEN/P BONDE	07-JAN-19	PROJECTION:	
APPROVED:	HENRIK NICOLAISEN	07-JAN-19		

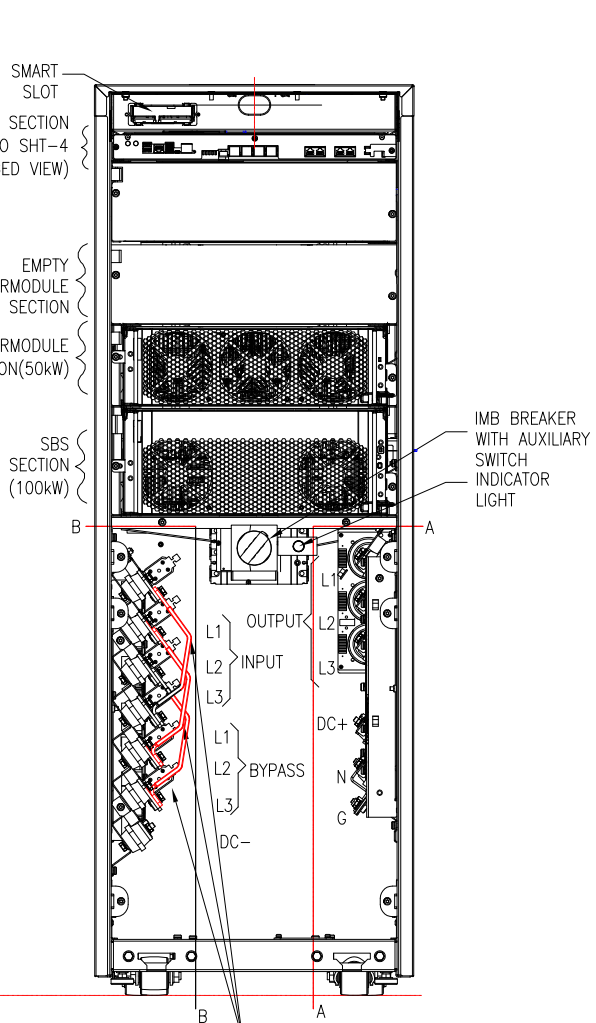
60-100kW UPS CONFIGURATION



△4 JUMPERS (ONLY FOR SINGLE MAINS SYSTEM. TO BE REMOVED FOR DUAL MAINS SYSTEM)

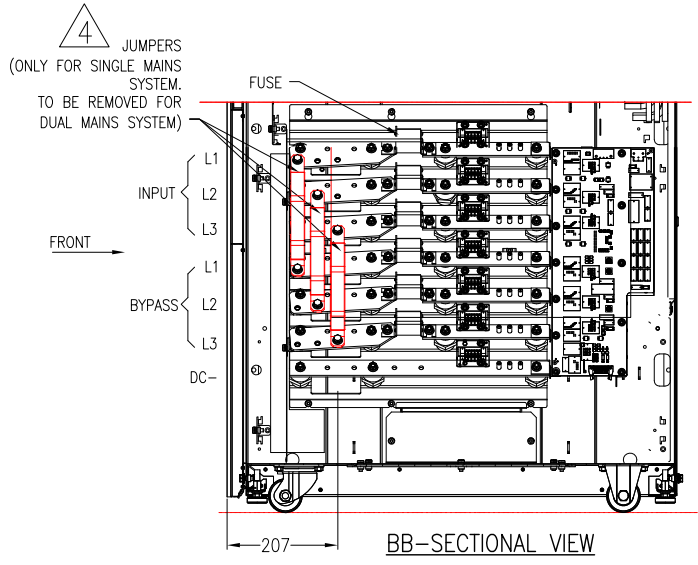
INTERNAL FRONT VIEW

20-50kW UPS CONFIGURATION

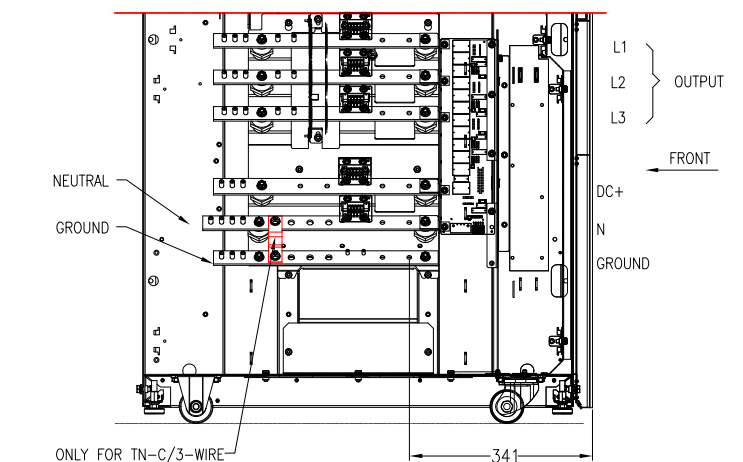


△4 JUMPERS (ONLY FOR SINGLE MAINS SYSTEM. TO BE REMOVED FOR DUAL MAINS SYSTEM)

INTERNAL FRONT VIEW



BB-SECTIONAL VIEW



ONLY FOR TN-C/3-WIRE EARTHING SYSTEM OR TN-C-S/4-WIRE EARTHING SYSTEM. INSTALL THE BONDING BUSBAR FROM KIT OM-100917

AA-SECTIONAL VIEW

- NOTES:
1. INSTALLATION SHALL COMPLY WITH ALL APPLICABLE NATIONAL, STATE AND LOCAL ELECTRICAL REGULATIONS.
 2. PLEASE REFER TO PRODUCT MANUALS FOR ADDITIONAL DETAILS PRIOR TO INSTALLATION AND SITE PREPARATION WORK.
 3. ALL DIMENSIONS ARE IN MILLIMETERS.
 - △4. BUSBAR LINKS ARE APPLICABLE FOR SINGLE MAINS SYSTEM ONLY. (REMOVE FOR DUAL MAINS)
 5. SOME STRUCTURAL DETAILS HAVE BEEN OMITTED FOR THE PURPOSE OF CLARITY.

THIS DRAWING AND SPECIFICATIONS HEREIN ARE THE PROPERTY OF SCHNEIDER ELECTRIC AND SHALL NOT BE COPIED, REPRODUCED OR USED IN WHOLE OR IN PART, AS THE BASIS FOR THE MANUFACTURE OR SALE OF ITEMS WITHOUT WRITTEN PERMISSION FROM SCHNEIDER ELECTRIC. THIS DRAWING IS BASED UPON LATEST AVAILABLE INFORMATION AND IS SUBJECT TO CHANGE WITHOUT NOTICE.

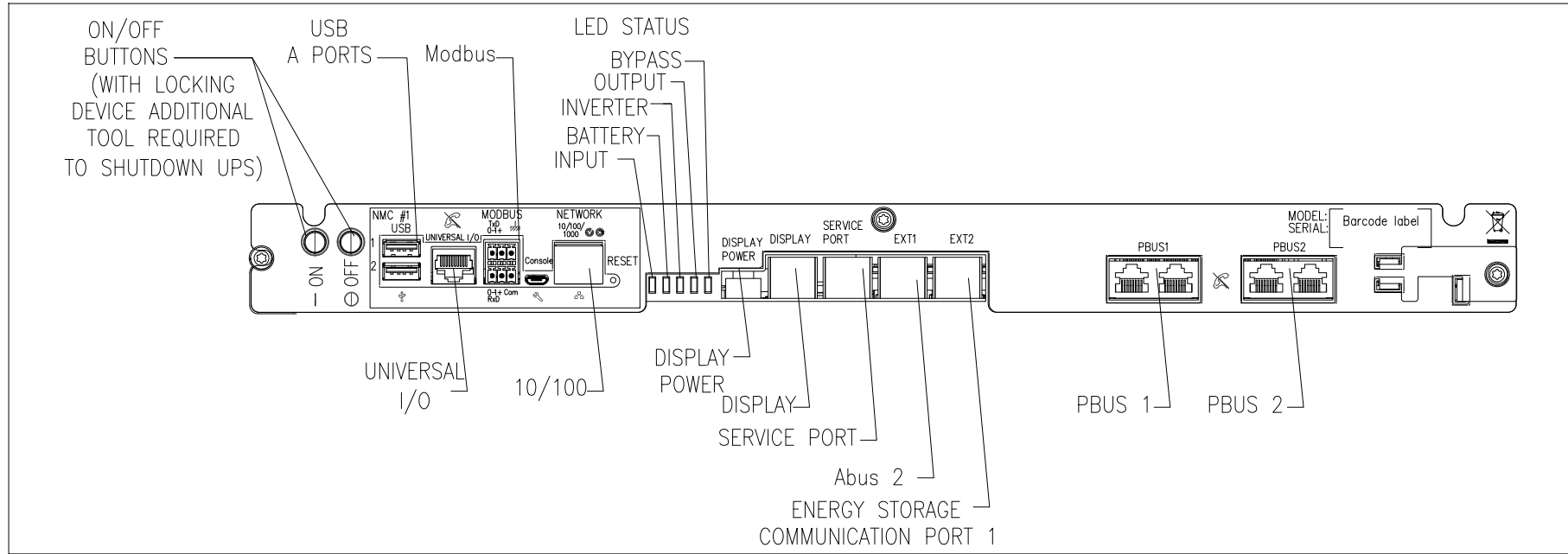


TITLE: GALAXY VS UPS 20-100kW
 INPUT: 400V, 3PH, 60Hz
 OUTPUT: 400V, 3PH OR 3PH+N, 50-60Hz
 INTERNAL VIEW-1
 PROJECT: SUBMITTAL DRAWINGS SHEET 3 OF 4

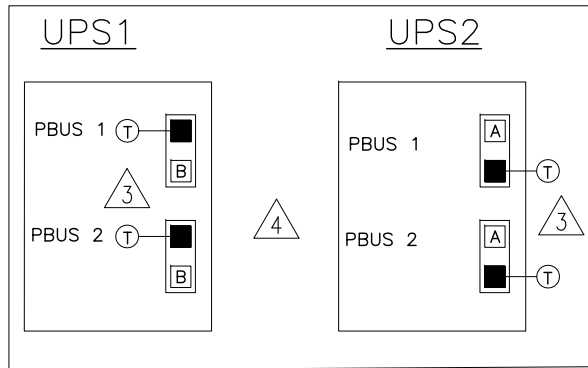
DWG NO: GVSUPS20K100HS REV. 0
 DRAWN: K.NAGENDRA 07-JAN-19
 ENGINEER: H. NICOLAISEN/P. BONDE 07-JAN-19
 APPROVED: HENRIK NICOLAISEN 07-JAN-19

FIRST ANGLE PROJECTION

CONTROL SECTION DETAILS
(ENLARGED VIEW)



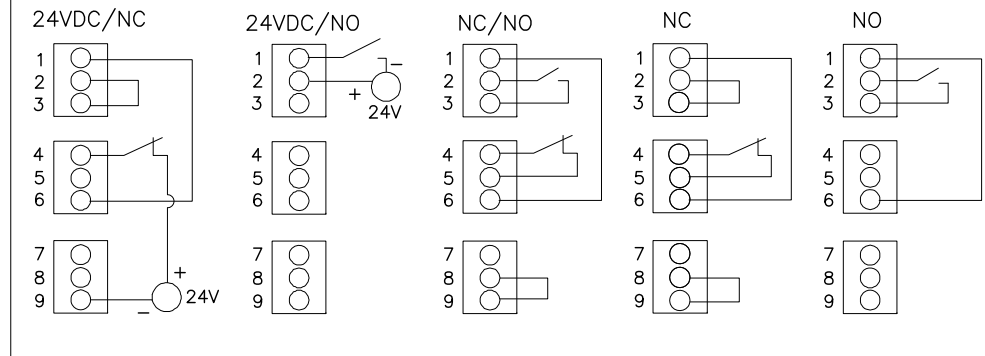
PBUS CONNECTIONS (GVSOPT006)



EMERGENCY POWER OFF (EPO) CONFIGURATIONS (IN UPS)



(J6600 ON 640-4864)
(CONNECT CLASS-2/SELV SIGNAL CABLES FROM THE BUILDING EPO TO J6600)



NOTES:

1. INSTALLATION SHALL COMPLY WITH ALL APPLICABLE NATIONAL, STATE AND LOCAL CODES.
2. REFER TO PRODUCT DOCUMENTATION FOR ADDITIONAL DETAILS PRIOR TO INSTALLATION AND SITE PREPARATION WORK.
- △3. TERMINATORS MUST BE INSTALLED & POSITIONED AS ADDRESSED IN INSTALLATION MANUAL.
- △4. OPTIONAL CAT5 PBUS CABLES 82 FEET [25 METERS](SKU# GVSOPT006) SHALL BE INSTALLED IN SEPARATE CONDUITS.
- △5. DO NOT CONNECT ANY CIRCUIT TO THE EPO TERMINAL BLOCK UNLESS IT CAN BE CONFIRMED THAT THE CIRCUIT IS CLASS 2/SELV. ALL CIRCUITS CONNECTED MUST HAVE THE SAME OV REFERENCE.

THIS DRAWING AND SPECIFICATIONS HEREIN ARE THE PROPERTY OF SCHNEIDER ELECTRIC AND SHALL NOT BE COPIED, REPRODUCED OR USED IN WHOLE OR IN PART, AS THE BASIS FOR THE MANUFACTURE OR SALE OF ITEMS WITHOUT WRITTEN PERMISSION FROM SCHNEIDER ELECTRIC. THIS DRAWING IS BASED UPON LATEST AVAILABLE INFORMATION AND IS SUBJECT TO CHANGE WITHOUT NOTICE.



TITLE: GALAXY VS UPS 20-100kW
 INPUT: 400V, 3PH, 60Hz
 OUTPUT: 400V, 3PH OR 3PH+N, 50-60Hz
 CONNECTIONS AND CONTROL PANEL DETAILS
 PROJECT: SUBMITTAL DRAWINGS SHEET 4 OF 4

DWG NO:	GVSUPS20K100HS	REV:	0
DRAWN:	K.NAGENDRA	07-JAN-19	FIRST ANGLE
ENGINEER:	H.NICOLAISEN/P.BONDE	07-JAN-19	PROJECTION:
APPROVED:	HENRIK NICOLAISEN	07-JAN-19	