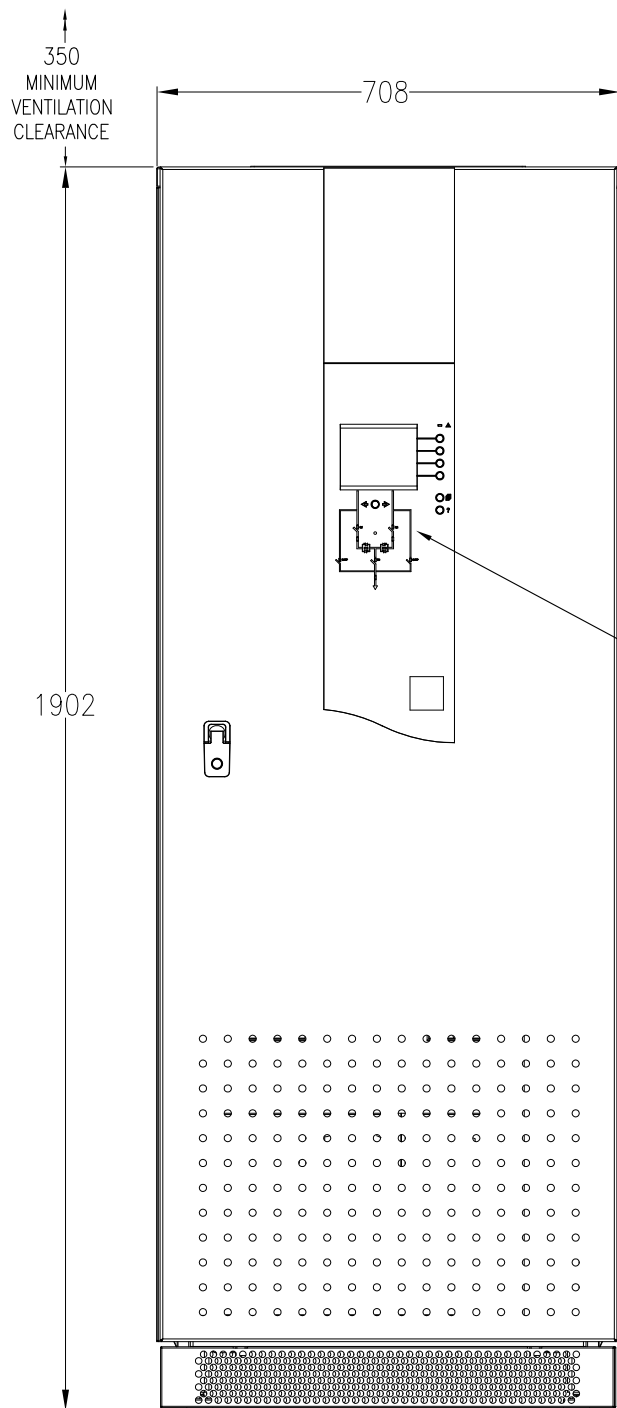
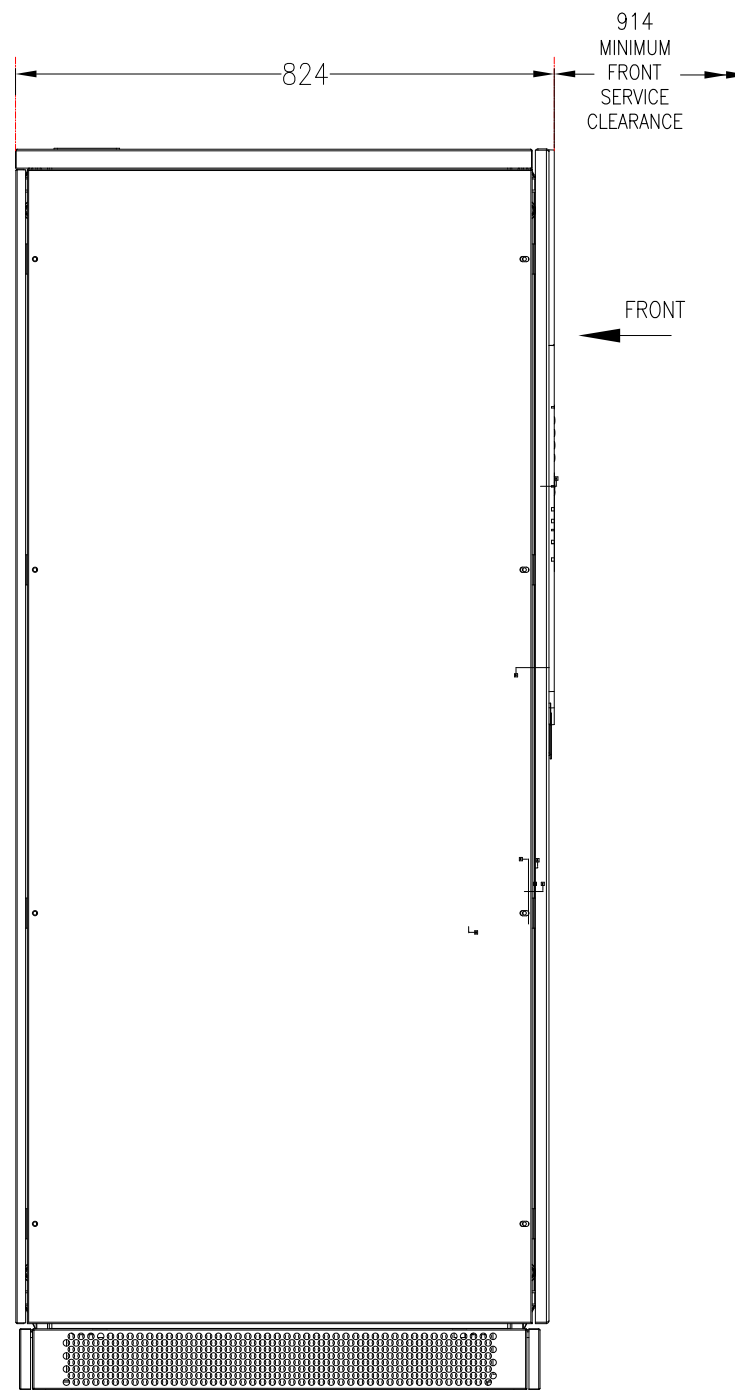


SKU - STS30/STS60/STS100/STS160/STS250-4 POLE



FRONT VIEW

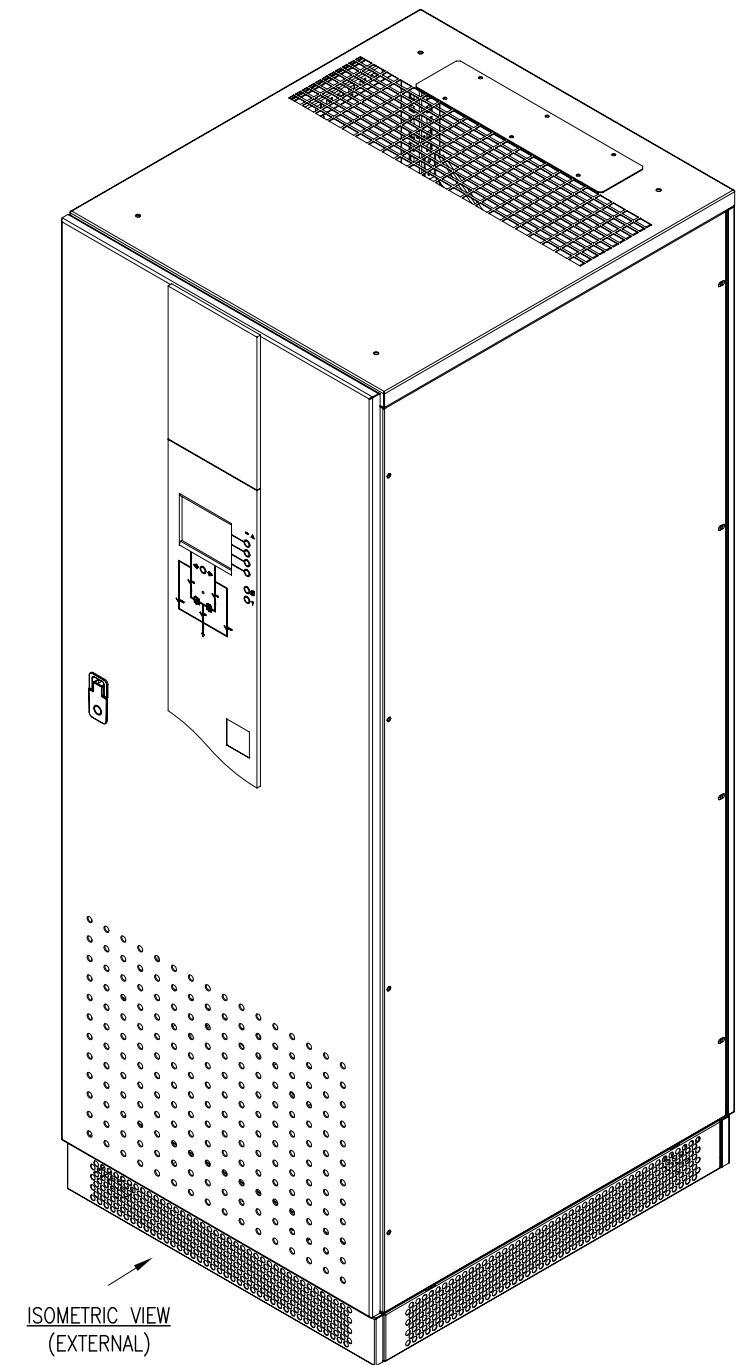
DISPLAY  
INTERFACE  
(REFER TO SHEET-2  
FOR ENLARGED VIEW)



LEFT SIDE VIEW



REAR VIEW



ISOMETRIC VIEW  
(EXTERNAL)

NOTES:

1. INSTALLATION SHALL COMPLY WITH ALL APPLICABLE NATIONAL AND LOCAL ELECTRICAL REGULATIONS.
2. REFER TO PRODUCT MANUALS FOR ADDITIONAL DETAILS.
3. ALL DIMENSIONS ARE IN MILLIMETERS UNLESS OTHERWISE SPECIFIED.
4. CABLE ENTRY IS FROM TOP/BOTTOM OF UNIT.
5. WEIGHT OF UNIT FOR 30,60,100A IS 215kg.  
FOR 160,250A IS 225kg.

THIS DRAWING AND SPECIFICATIONS HEREIN ARE THE PROPERTY OF SCHNEIDER ELECTRIC AND SHALL NOT BE COPIED, REPRODUCED OR USED IN WHOLE OR IN PART, AS THE BASIS FOR THE MANUFACTURE OR SALE OF ITEMS WITHOUT WRITTEN PERMISSION FROM SCHNEIDER ELECTRIC. THIS DRAWING IS BASED UPON LATEST AVAILABLE INFORMATION AND IS SUBJECT TO CHANGE WITHOUT NOTICE.



TITLE: UPGRADE UPSILON STATIC TRANSFER SWITCH  
 Input: 380/400/415V AC 50/60Hz 3PH  
 Output: 380/400/415V AC 50/60Hz 3PH  
 STS30/60/100/160/250-4POLE  
 GENERAL ARRANGEMENT

PROJECT: SUBMITTAL DRAWINGS SHEET 1 OF 3

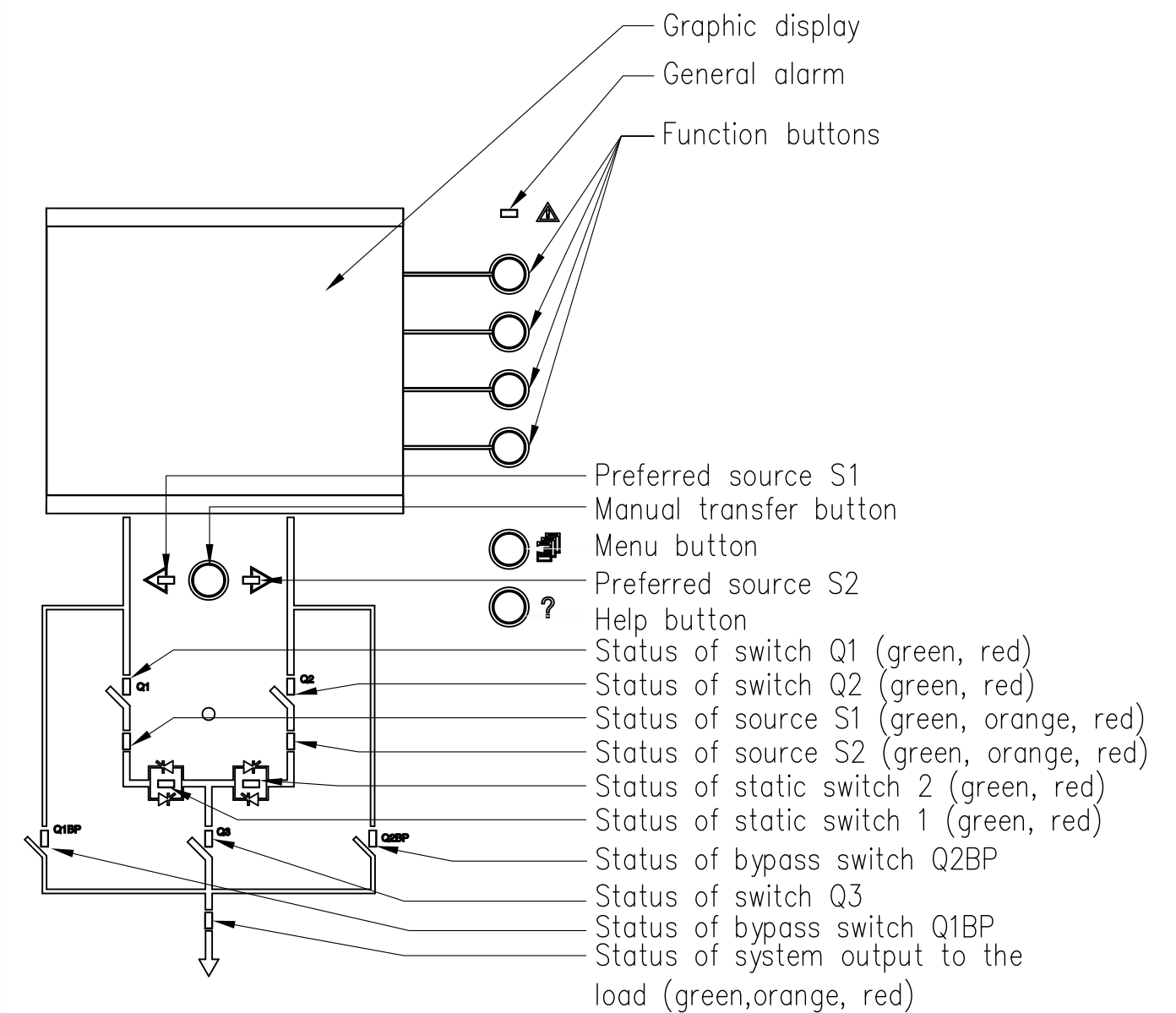
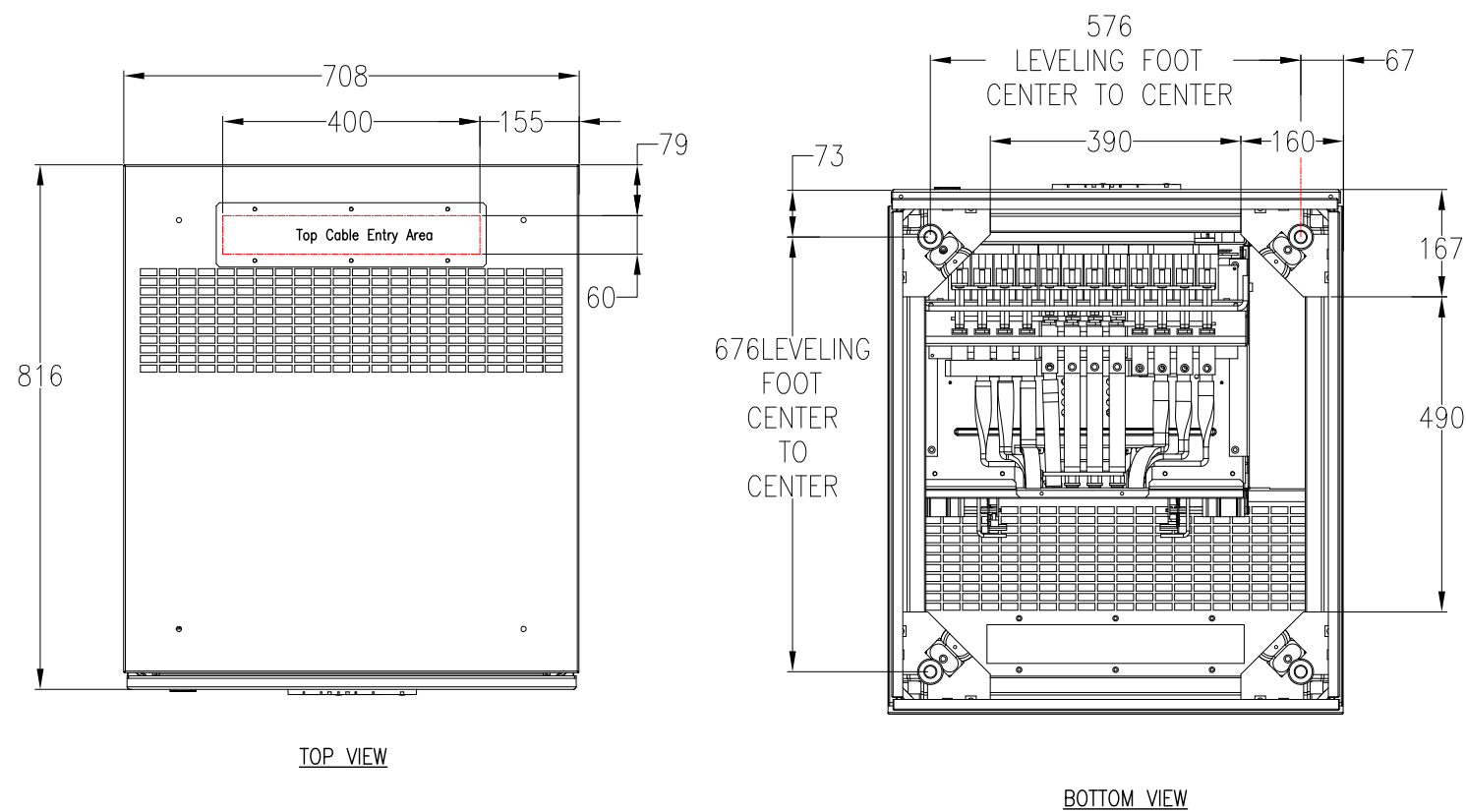
DWG NO: STS30K250-4P REV: 0

DRAWN: K.NAGENDRA 07-DEC-18

ENGINEER: SUDHEER.K.S 07-DEC-18

APPROVED: JAKUB WOLSKI 07-DEC-18

FIRST  
ANGLE  
PROJECTION:



DISPLAY INTERFACE  
(ENLARGED VIEW)

- NOTES:**
1. INSTALLATION SHALL COMPLY WITH ALL APPLICABLE NATIONAL, STATE AND LOCAL ELECTRICAL REGULATIONS.
  2. PLEASE REFER TO PRODUCT MANUALS FOR ADDITIONAL DETAILS PRIOR TO INSTALLATION AND SITE PREPARATION WORK.
  3. ALL DIMENSIONS ARE IN MILLIMETERS.
  4. SOME STRUCTURAL DETAILS HAVE BEEN OMITTED FOR THE PURPOSE OF CLARITY.

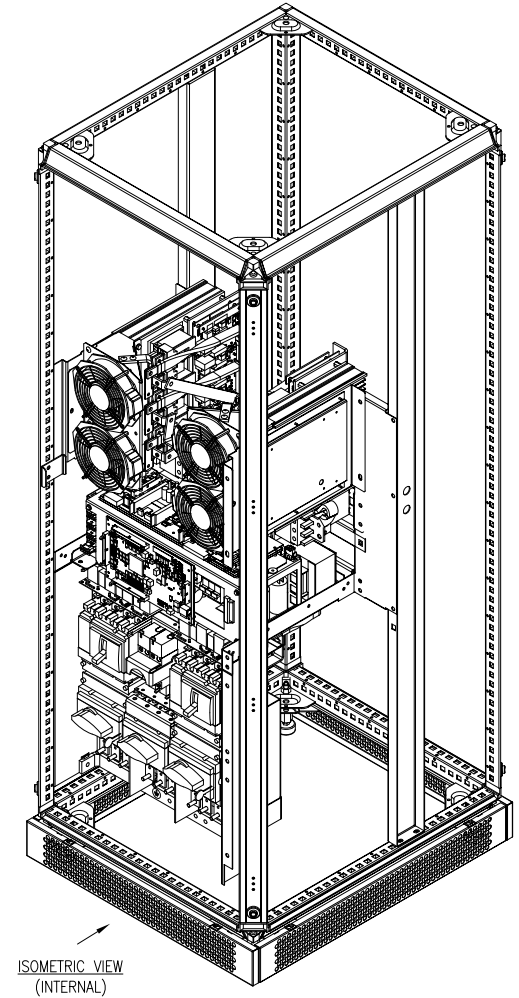
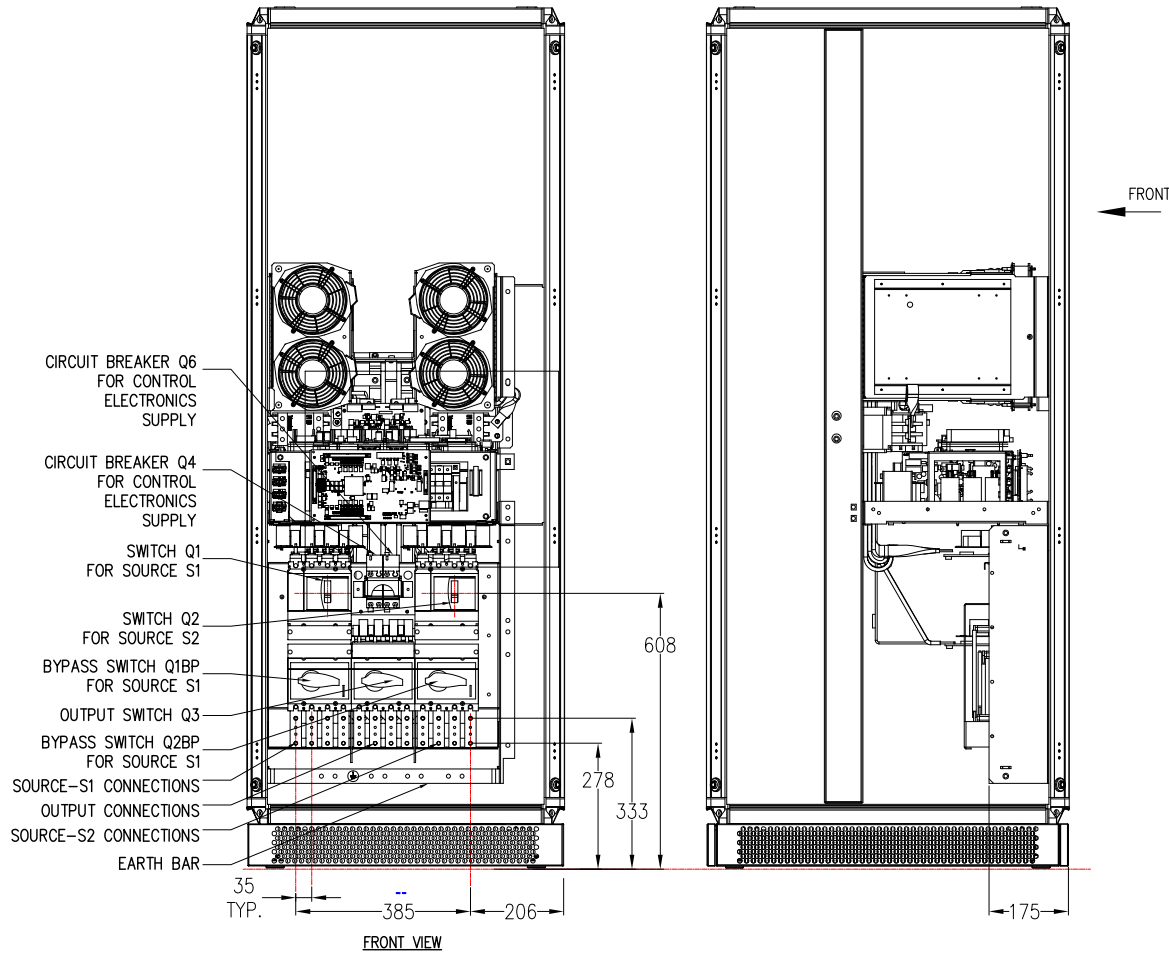
THIS DRAWING AND SPECIFICATIONS HEREIN ARE THE PROPERTY OF SCHNEIDER ELECTRIC AND SHALL NOT BE COPIED, REPRODUCED OR USED IN WHOLE OR IN PART, AS THE BASIS FOR THE MANUFACTURE OR SALE OF ITEMS WITHOUT WRITTEN PERMISSION FROM SCHNEIDER ELECTRIC. THIS DRAWING IS BASED UPON LATEST AVAILABLE INFORMATION AND IS SUBJECT TO CHANGE WITHOUT NOTICE.



TITLE: MGE UPSILON STATIC TRANSFER SWITCH  
 Input: 380/400/415V AC 50/60Hz 3PH  
 Output: 380/400/415V AC 50/60Hz 3PH  
 STS30/60/100/160/250-4POLE  
 TOP AND BOTTOM VIEWS

DWG NO:	STS30K250-4P		REV:	0
DRAWN:	K.NAGENDRA	07-DEC-18	FIRST	ANGLE
ENGINEER:	SUDHEER.K.S	07-DEC-18	PROJECTION:	
APPROVED:	JAKUB WOLSKI	07-DEC-18		

PROJECT: SUBMITTAL DRAWINGS SHEET 2 OF 3



**NOTES:**

1. INSTALLATION SHALL COMPLY WITH ALL APPLICABLE NATIONAL, STATE AND LOCAL ELECTRICAL REGULATIONS.
2. PLEASE REFER TO PRODUCT MANUALS FOR ADDITIONAL DETAILS PRIOR TO INSTALLATION AND SITE PREPARATION WORK.
3. ALL DIMENSIONS ARE IN MILLIMETERS.
4. SOME STRUCTURAL DETAILS HAVE BEEN OMITTED FOR THE PURPOSE OF CLARITY.

THIS DRAWING AND SPECIFICATIONS HEREIN ARE THE PROPERTY OF SCHNEIDER ELECTRIC AND SHALL NOT BE COPIED, REPRODUCED OR USED IN WHOLE OR IN PART, AS THE BASIS FOR THE MANUFACTURE OR SALE OF ITEMS WITHOUT WRITTEN PERMISSION FROM SCHNEIDER ELECTRIC. THIS DRAWING IS BASED UPON LATEST AVAILABLE INFORMATION AND IS SUBJECT TO CHANGE WITHOUT NOTICE.

**Schneider  
Electric**

TITLE: UPS EPSILON STATIC TRANSFER SWITCH  
Input: 380/400/415V AC 50/60Hz 3PH  
Output: 380/400/415V AC 50/60Hz 3PH  
STS30/60/100/160/250-4POLE  
INTERNAL VIEWS

DWG NO: STS30K250-4P REV: 0

DRAWN: K.NAGENDRA 07-DEC-18

ENGINEER: SUDHEER.K.S 07-DEC-18

APPROVED: JAKUB WOLSKI 07-DEC-18

PROJECT: SUBMITTAL DRAWINGS SHEET 3 OF 3

FIRST  
ANGLE  
PROJECTION