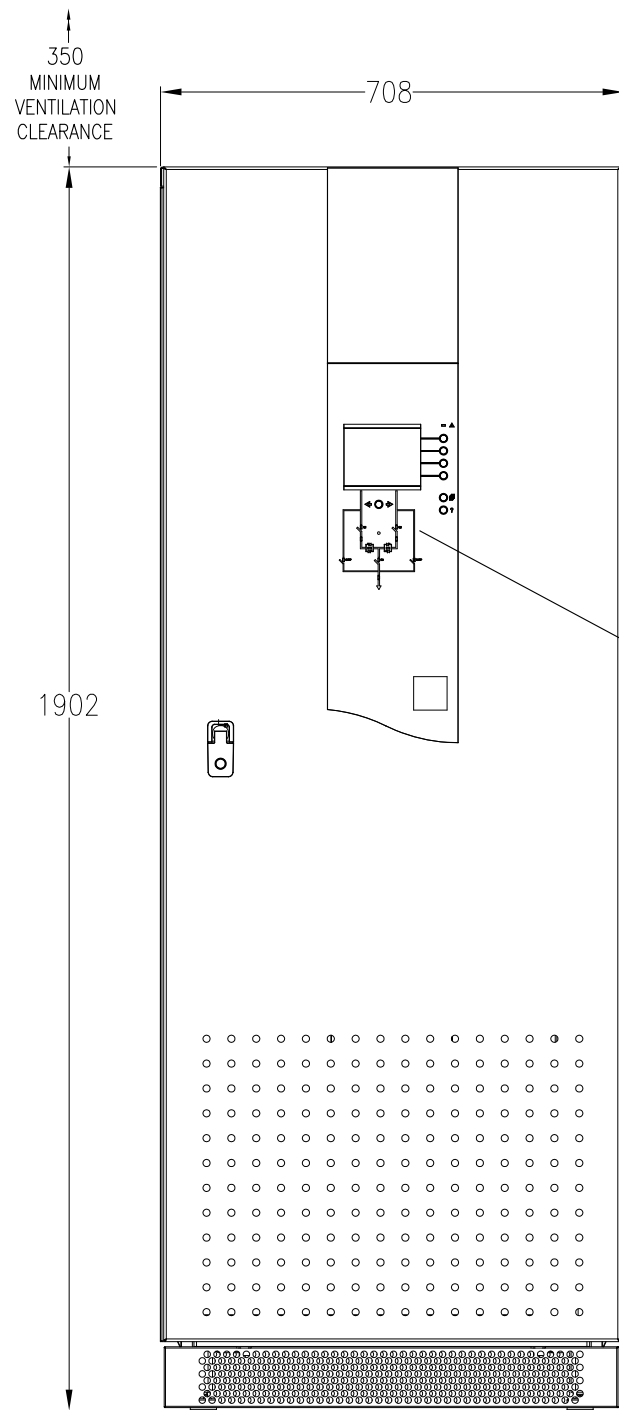
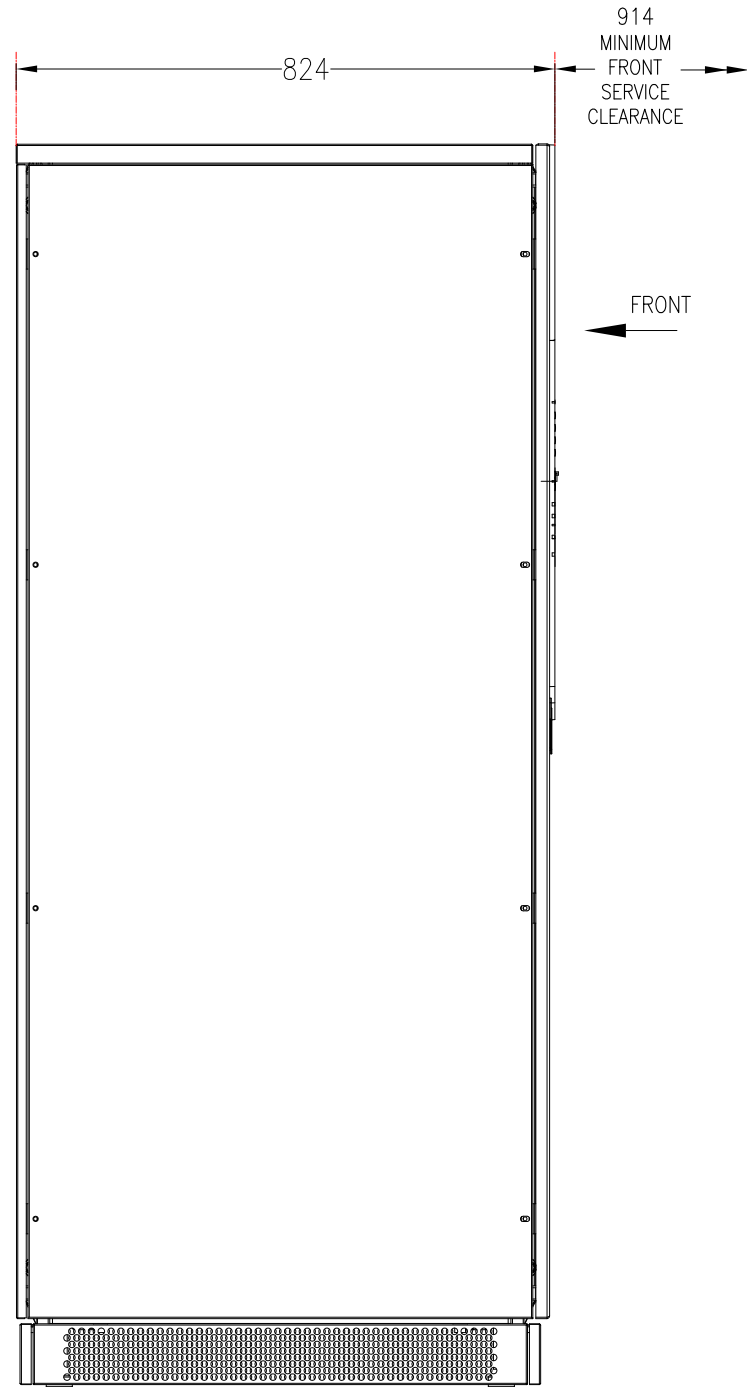


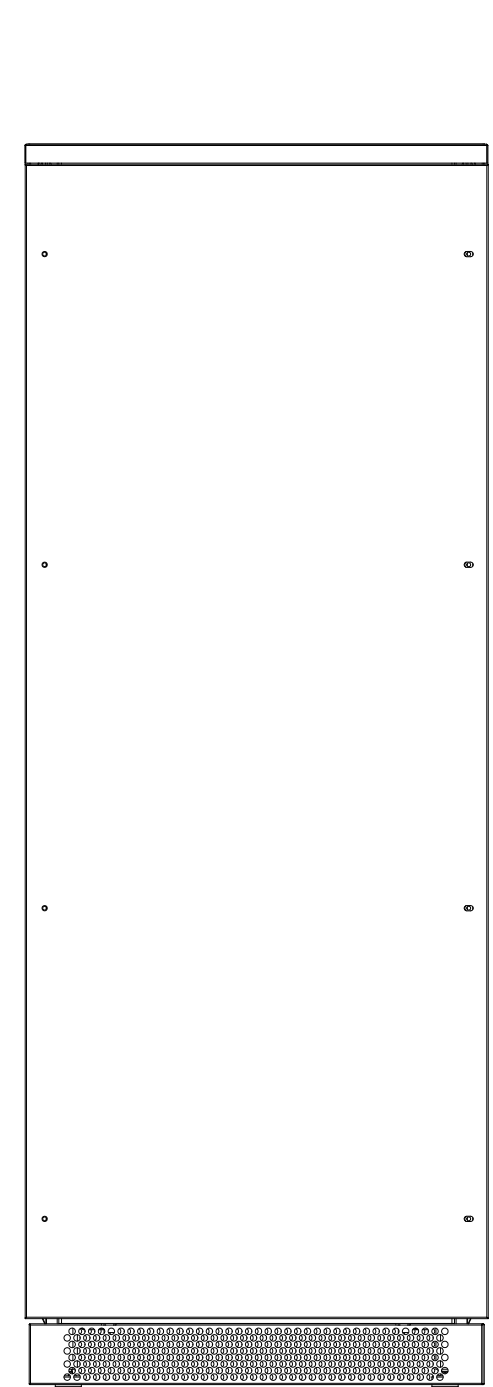
SKU - STS400/STS630-4POLE



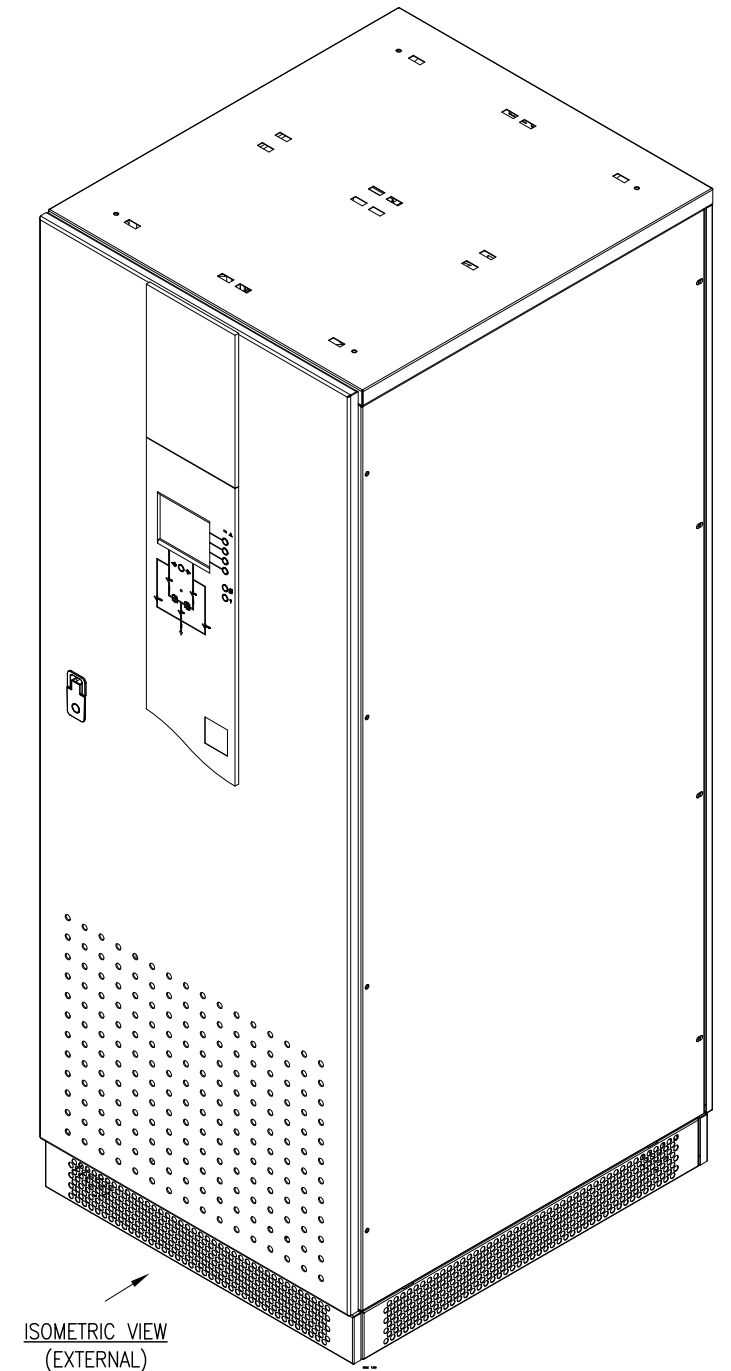
FRONT VIEW



LEFT SIDE VIEW



REAR VIEW



ISOMETRIC VIEW
(EXTERNAL)

NOTES:

1. INSTALLATION SHALL COMPLY WITH ALL APPLICABLE NATIONAL AND LOCAL ELECTRICAL REGULATIONS.
2. REFER TO PRODUCT MANUALS FOR ADDITIONAL DETAILS.
3. ALL DIMENSIONS ARE IN MILLIMETERS UNLESS OTHERWISE SPECIFIED.
4. CABLE ENTRY IS BOTTOM OF UNIT.
5. WEIGHT OF UNIT IS 327kg.

THIS DRAWING AND SPECIFICATIONS HEREIN ARE THE PROPERTY OF SCHNEIDER ELECTRIC AND SHALL NOT BE COPIED, REPRODUCED OR USED IN WHOLE OR IN PART, AS THE BASIS FOR THE MANUFACTURE OR SALE OF ITEMS WITHOUT WRITTEN PERMISSION FROM SCHNEIDER ELECTRIC. THIS DRAWING IS BASED UPON LATEST AVAILABLE INFORMATION AND IS SUBJECT TO CHANGE WITHOUT NOTICE.



TITLE: UPSILON STATIC TRANSFER SWITCH
 Input: 380/400/415V AC 50/60Hz 3PH
 Output: 380/400/415V AC 50/60Hz 3PH
 STS400/STS630-4POLE
 GENERAL ARRANGEMENT

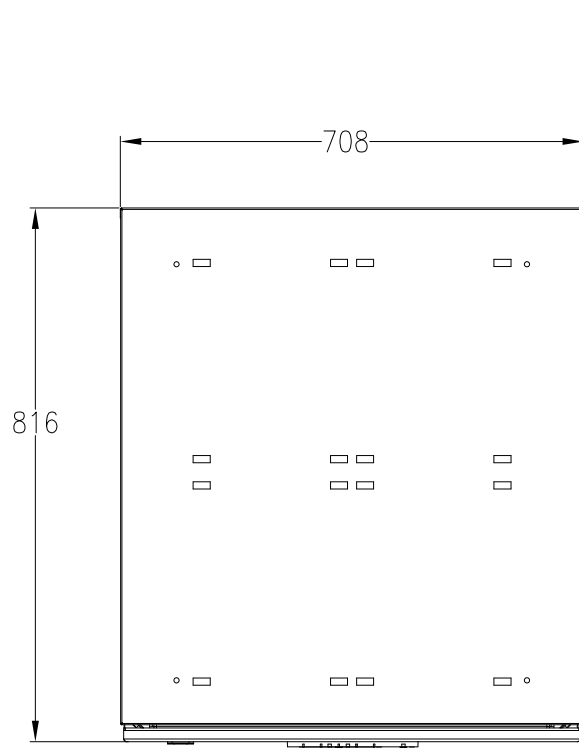
PROJECT: SUBMITTAL DRAWINGS | SHEET 1 OF 3

DWG NO: STS400K630-4P

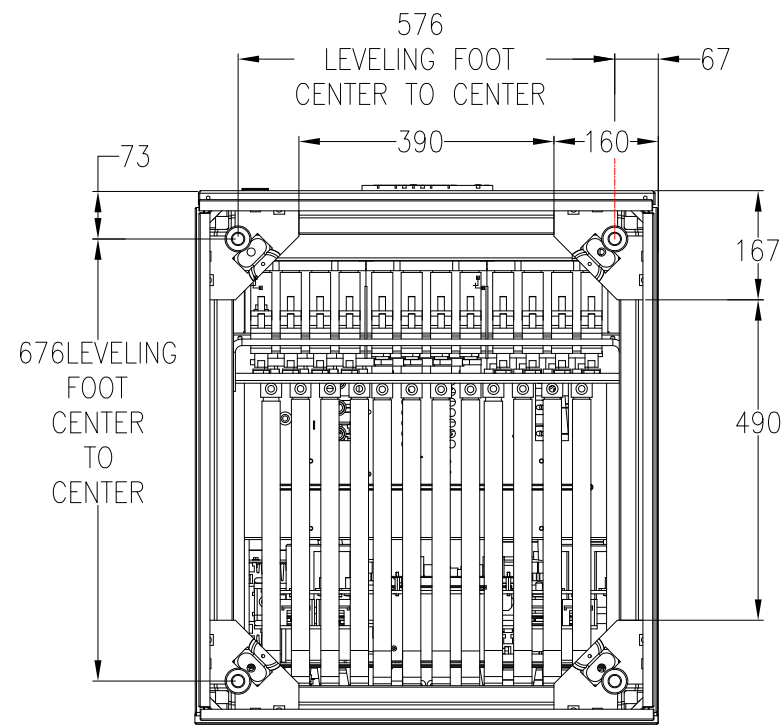
DRAWN:	K.NAGENDRA	07-DEC-18
ENGINEER:	SUDHEER.K.S	07-DEC-18
APPROVED:	JAKUB WOLSKI	07-DEC-18

REV: 1

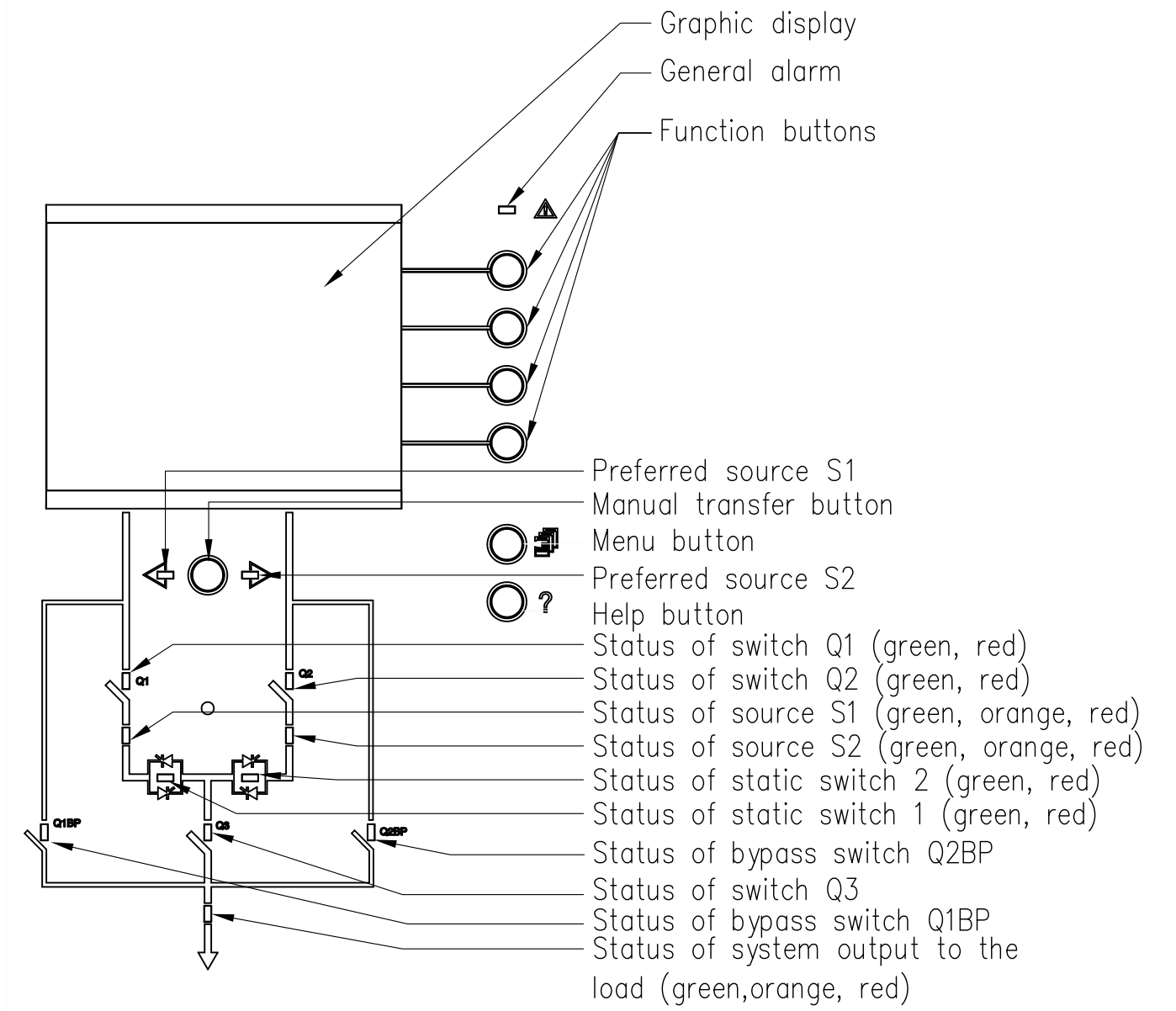
FIRST ANGLE PROJECTION:



TOP VIEW



BOTTOM VIEW



DISPLAY INTERFACE
(ENLARGED VIEW)

- NOTES:**
1. INSTALLATION SHALL COMPLY WITH ALL APPLICABLE NATIONAL, STATE AND LOCAL ELECTRICAL REGULATIONS.
 2. PLEASE REFER TO PRODUCT MANUALS FOR ADDITIONAL DETAILS PRIOR TO INSTALLATION AND SITE PREPARATION WORK.
 3. ALL DIMENSIONS ARE IN MILLIMETERS.
 4. SOME STRUCTURAL DETAILS HAVE BEEN OMITTED FOR THE PURPOSE OF CLARITY.

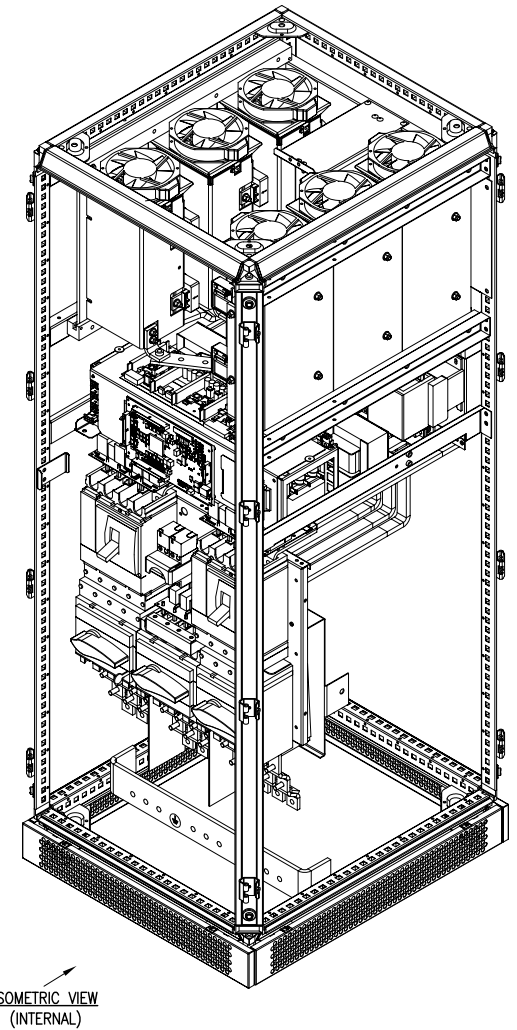
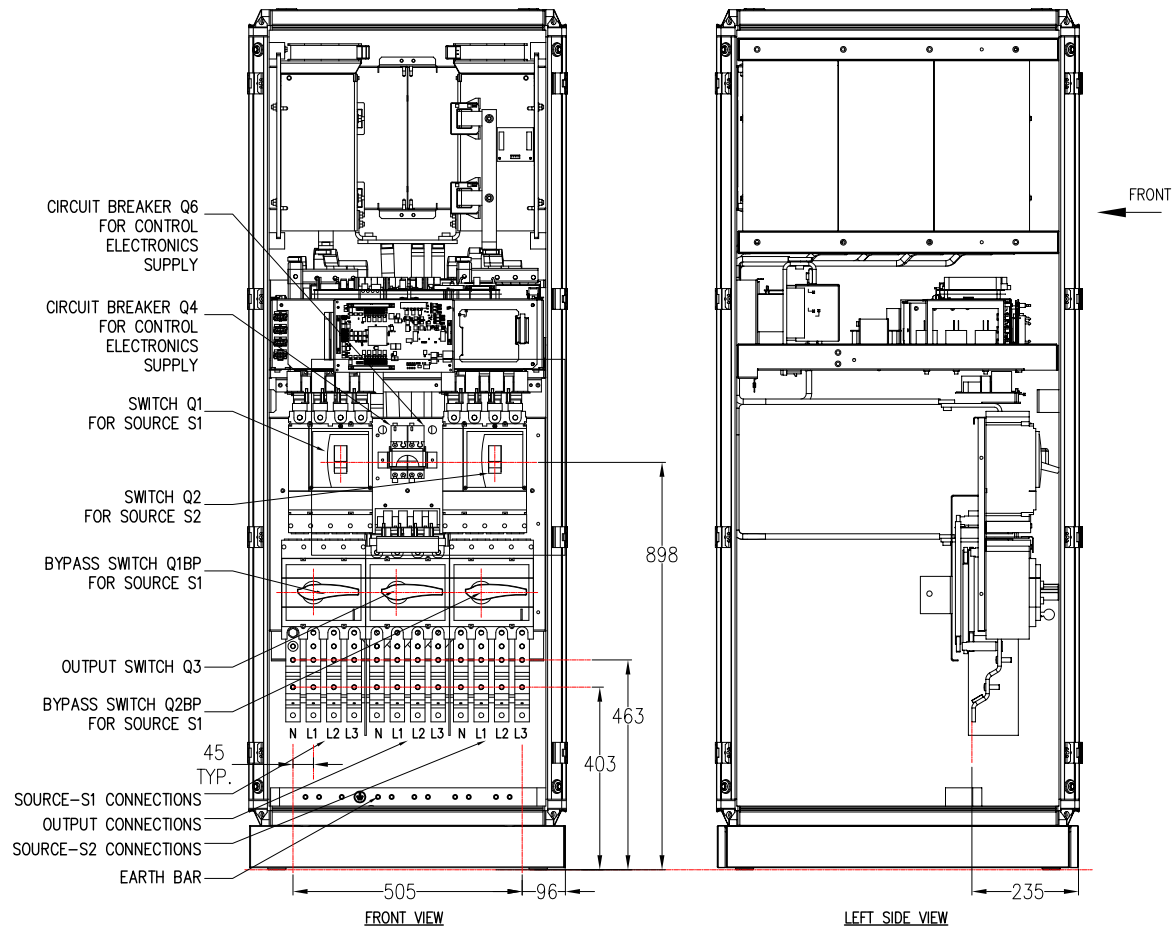
THIS DRAWING AND SPECIFICATIONS HEREIN ARE THE PROPERTY OF SCHNEIDER ELECTRIC AND SHALL NOT BE COPIED, REPRODUCED OR USED IN WHOLE OR IN PART, AS THE BASIS FOR THE MANUFACTURE OR SALE OF ITEMS WITHOUT WRITTEN PERMISSION FROM SCHNEIDER ELECTRIC. THIS DRAWING IS BASED UPON LATEST AVAILABLE INFORMATION AND IS SUBJECT TO CHANGE WITHOUT NOTICE.



TITLE: MGE UPSILON STATIC TRANSFER SWITCH
 Input: 380/400/415V AC 50/60Hz 3PH
 Output: 380/400/415V AC 50/60HZ 3PH
 STS400/STS630-4POLE
 TOP AND BOTTOM VIEWS

PROJECT: SUBMITTAL DRAWINGS **SHEET 2 OF 3**

DWG NO:	STS400K630-4P		REV:	1
DRAWN:	K.NAGENDRA	07-DEC-18	FIRST	
ENGINEER:	SUDHEER.K.S	07-DEC-18	ANGLE	
APPROVED:	JAKUB WOLSKI	07-DEC-18	PROJECTION:	



NOTES:

1. INSTALLATION SHALL COMPLY WITH ALL APPLICABLE NATIONAL, STATE AND LOCAL ELECTRICAL REGULATIONS.
2. PLEASE REFER TO PRODUCT MANUALS FOR ADDITIONAL DETAILS PRIOR TO INSTALLATION AND SITE PREPARATION WORK.
3. ALL DIMENSIONS ARE IN MILLIMETERS.
4. SOME STRUCTURAL DETAILS HAVE BEEN OMITTED FOR THE PURPOSE OF CLARITY.

THIS DRAWING AND SPECIFICATIONS HEREIN ARE THE PROPERTY OF SCHNEIDER ELECTRIC AND SHALL NOT BE COPIED, REPRODUCED OR USED IN WHOLE OR IN PART, AS THE BASIS FOR THE MANUFACTURE OR SALE OF ITEMS WITHOUT WRITTEN PERMISSION FROM SCHNEIDER ELECTRIC. THIS DRAWING IS BASED UPON LATEST AVAILABLE INFORMATION AND IS SUBJECT TO CHANGE WITHOUT NOTICE.



TITLE: UPS UPSILON STATIC TRANSFER SWITCH
 Input: 380/400/415V AC 50/60Hz 3PH
 Output: 380/400/415V AC 50/60Hz 3PH
 STS400/STS630-4POLE
 INTERNAL VIEWS
 PROJECT: SUBMITTAL DRAWINGS SHEET 3 OF 3

DWG NO:	STS400K630-4P	REV:	1
DRAWN:	K.NAGENDRA	07-DEC-18	FIRST
ENGINEER:	SUDHEER.K.S	07-DEC-18	ANGLE
APPROVED:	JAKUB WOLSKI	07-DEC-18	PROJECTION: