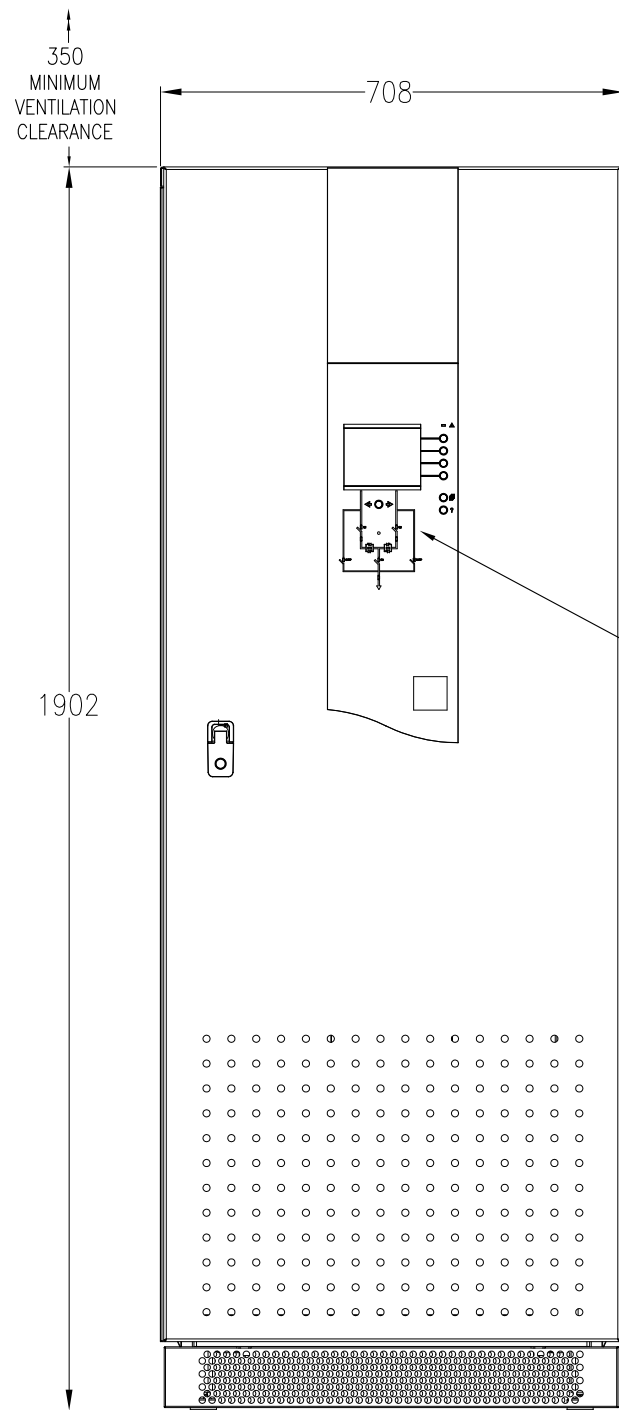
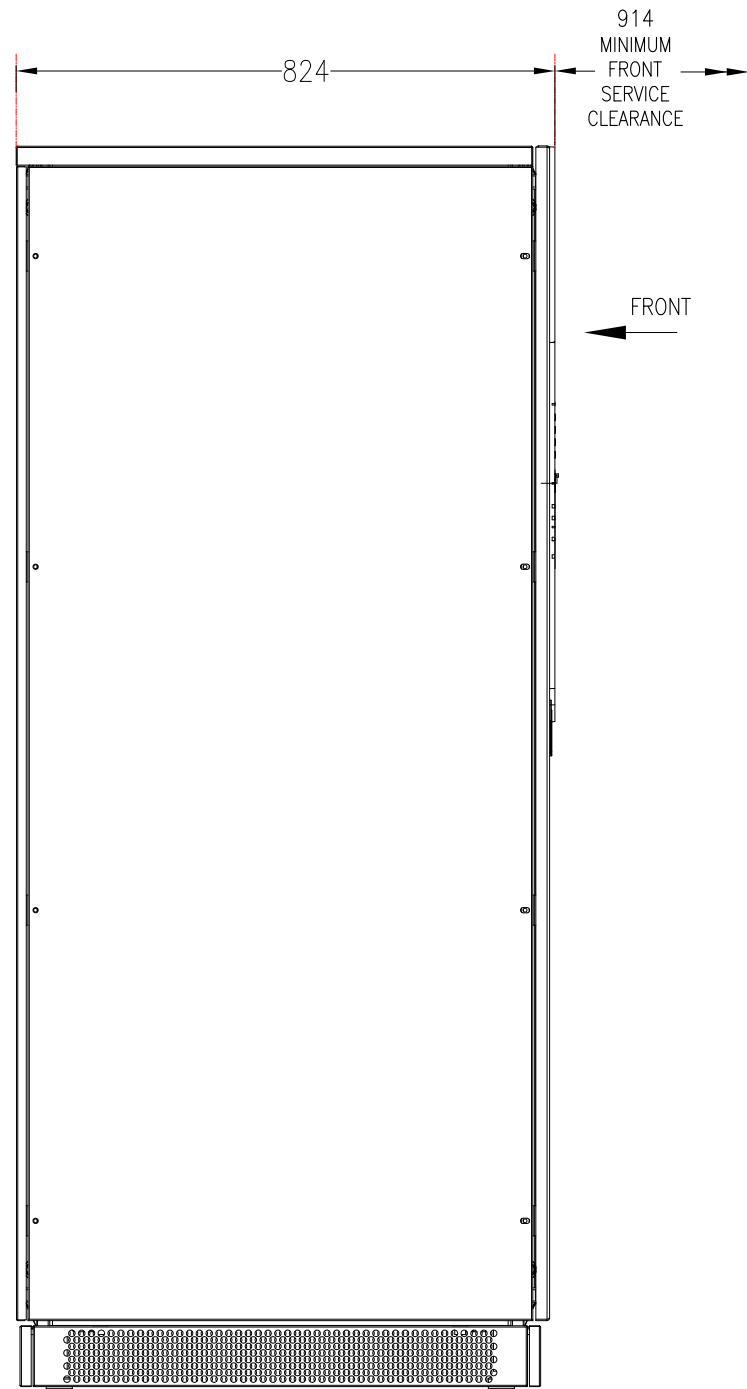


SKU - STS400/STS630-3POLE

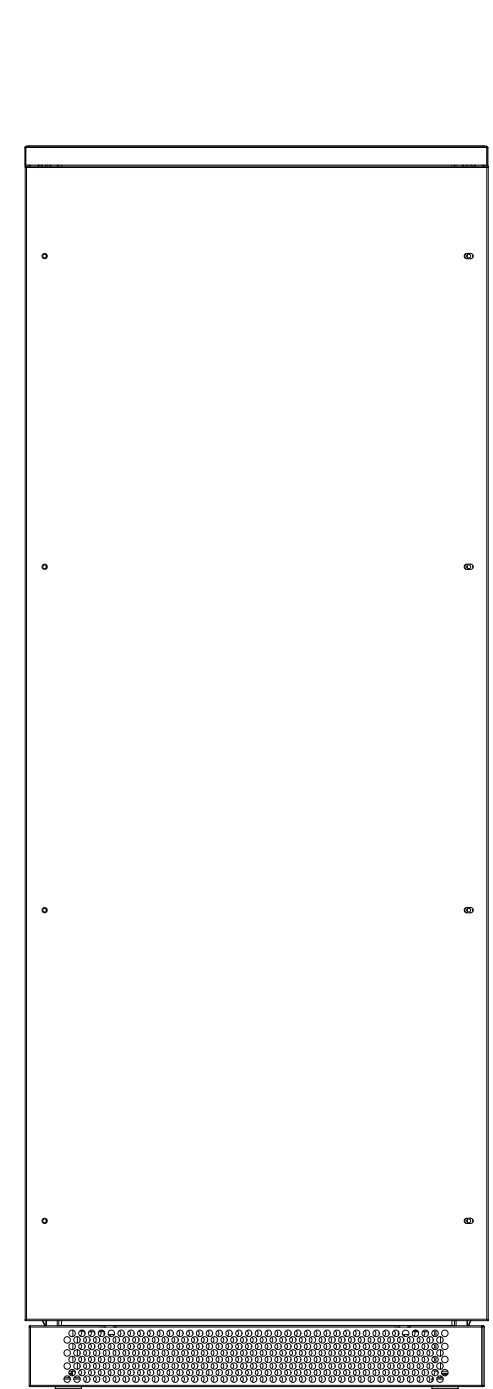


FRONT VIEW

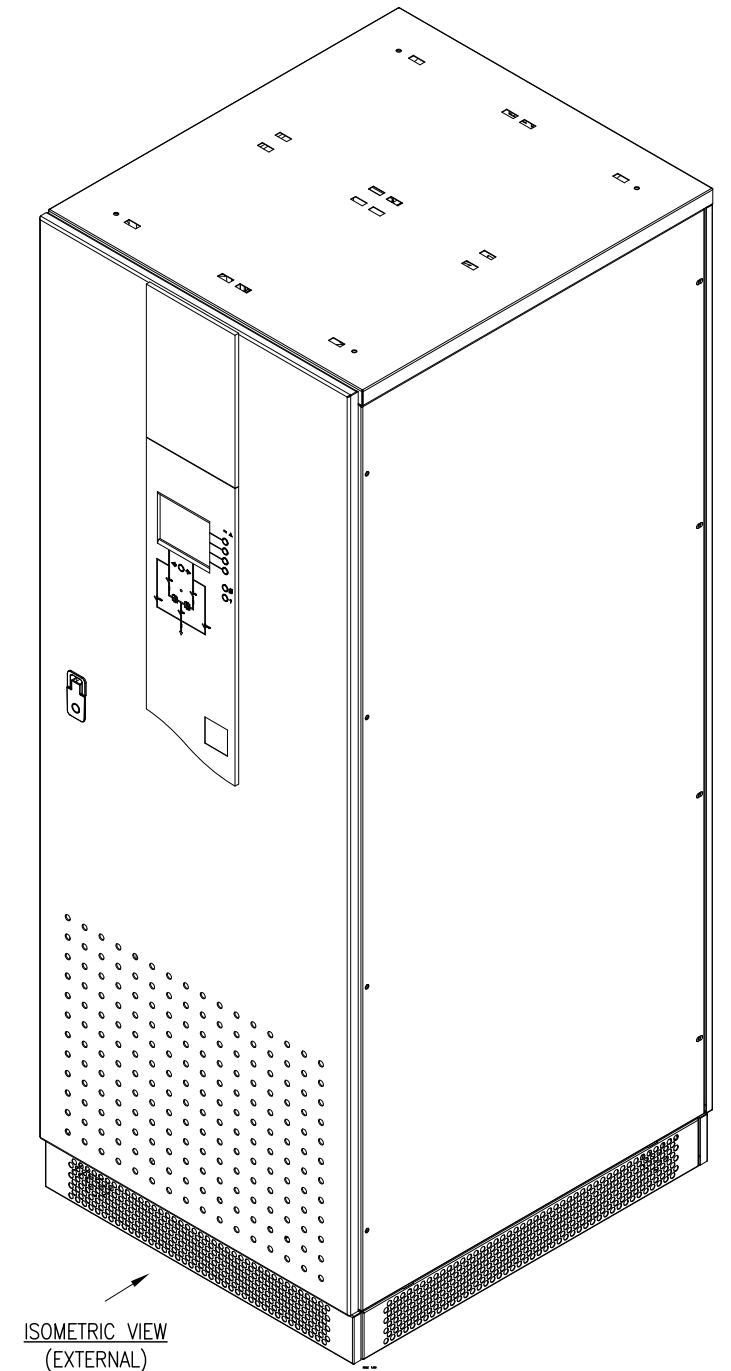
DISPLAY  
INTERFACE  
(REFER TO SHEET-2  
FOR ENLARGED VIEW)



LEFT SIDE VIEW



REAR VIEW



ISOMETRIC VIEW  
(EXTERNAL)

NOTES:

1. INSTALLATION SHALL COMPLY WITH ALL APPLICABLE NATIONAL AND LOCAL ELECTRICAL REGULATIONS.
2. REFER TO PRODUCT MANUALS FOR ADDITIONAL DETAILS.
3. ALL DIMENSIONS ARE IN MILLIMETERS UNLESS OTHERWISE SPECIFIED.
4. CABLE ENTRY IS FROM BOTTOM OF UNIT.
5. WEIGHT OF UNIT 327kg.

THIS DRAWING AND SPECIFICATIONS HEREIN ARE THE PROPERTY OF SCHNEIDER ELECTRIC AND SHALL NOT BE COPIED, REPRODUCED OR USED IN WHOLE OR IN PART, AS THE BASIS FOR THE MANUFACTURE OR SALE OF ITEMS WITHOUT WRITTEN PERMISSION FROM SCHNEIDER ELECTRIC. THIS DRAWING IS BASED UPON LATEST AVAILABLE INFORMATION AND IS SUBJECT TO CHANGE WITHOUT NOTICE.



TITLE: UPSILON STATIC TRANSFER SWITCH  
 Input: 380/400/415V AC 50/60Hz 3PH  
 Output: 380/400/415V AC 50/60Hz 3PH  
 STS400/STS630-3POLE  
 GENERAL ARRANGEMENT

PROJECT: SUBMITTAL DRAWINGS SHEET 1 OF 3

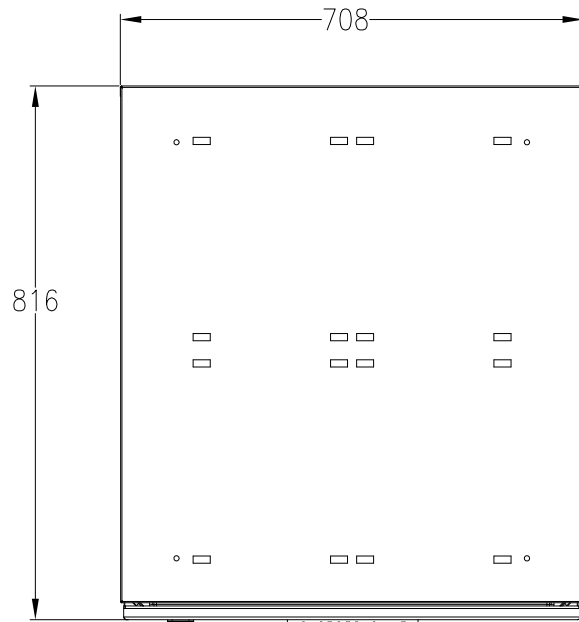
DWG NO: STS400K630-3P REV: 1

DRAWN: K.NAGENDRA 07-DEC-18

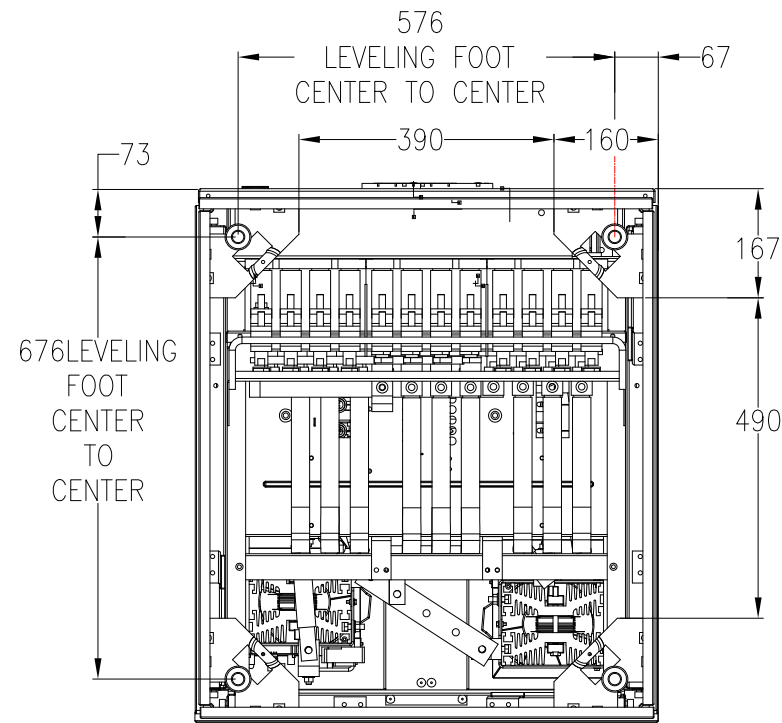
ENGINEER: SUDHEER.K.S 07-DEC-18

APPROVED: JAKUB WOLSKI 07-DEC-18

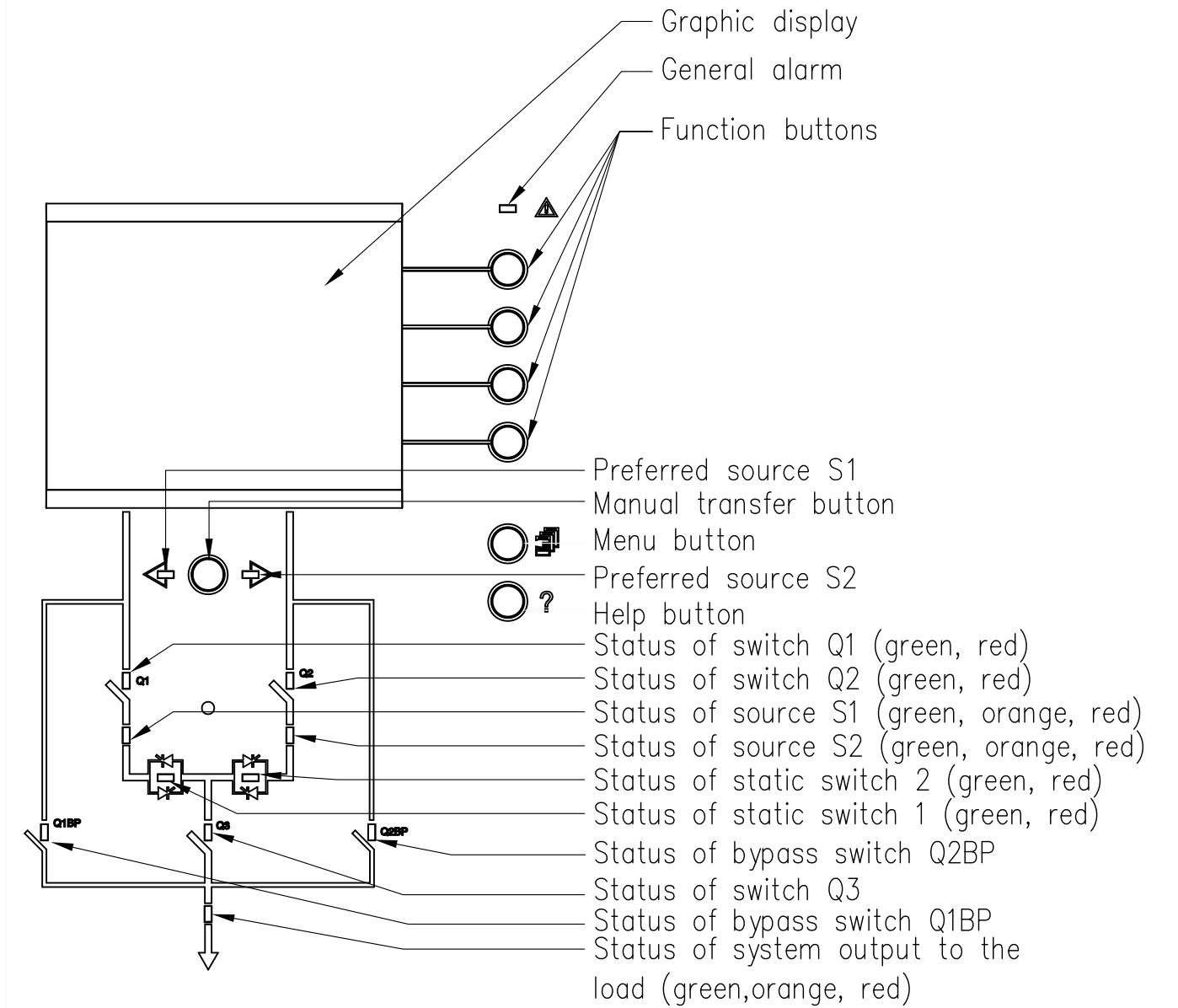
FIRST ANGLE PROJECTION:



TOP VIEW



BOTTOM VIEW



DISPLAY INTERFACE  
(ENLARGED VIEW)

- NOTES:
1. INSTALLATION SHALL COMPLY WITH ALL APPLICABLE NATIONAL, STATE AND LOCAL ELECTRICAL REGULATIONS.
  2. PLEASE REFER TO PRODUCT MANUALS FOR ADDITIONAL DETAILS PRIOR TO INSTALLATION AND SITE PREPARATION WORK.
  3. ALL DIMENSIONS ARE IN MILLIMETERS.
  4. SOME STRUCTURAL DETAILS HAVE BEEN OMITTED FOR THE PURPOSE OF CLARITY.

THIS DRAWING AND SPECIFICATIONS HEREIN ARE THE PROPERTY OF SCHNEIDER ELECTRIC AND SHALL NOT BE COPIED, REPRODUCED OR USED IN WHOLE OR IN PART, AS THE BASIS FOR THE MANUFACTURE OR SALE OF ITEMS WITHOUT WRITTEN PERMISSION FROM SCHNEIDER ELECTRIC. THIS DRAWING IS BASED UPON LATEST AVAILABLE INFORMATION AND IS SUBJECT TO CHANGE WITHOUT NOTICE.



TITLE: MGE UPSILON STATIC TRANSFER SWITCH  
 Input: 380/400/415V AC 50/60Hz 3PH  
 Output: 380/400/415V AC 50/60HZ 3PH  
 STS400/STS630-3POLE  
 TOP AND BOTTOM VIEWS

PROJECT: SUBMITTAL DRAWINGS SHEET 2 OF 3

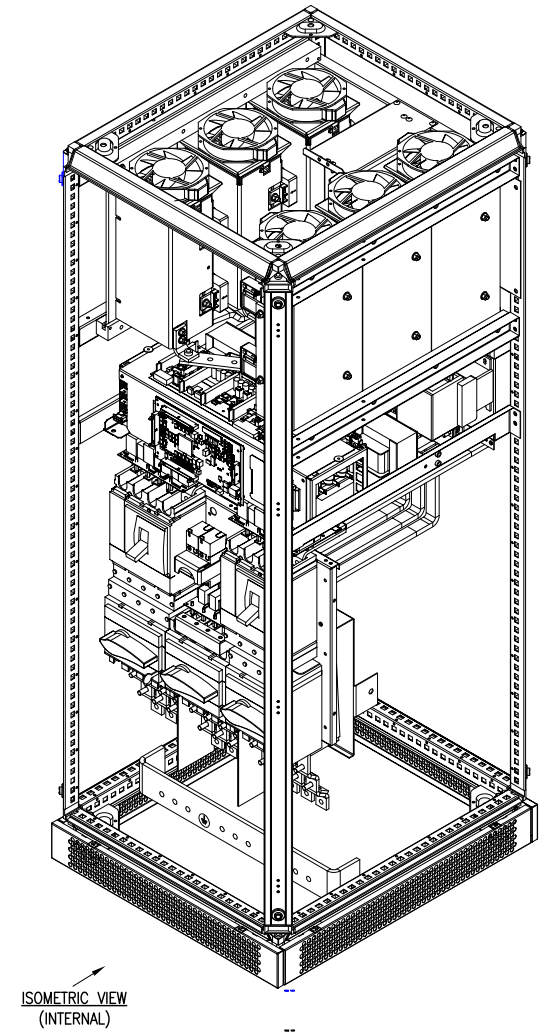
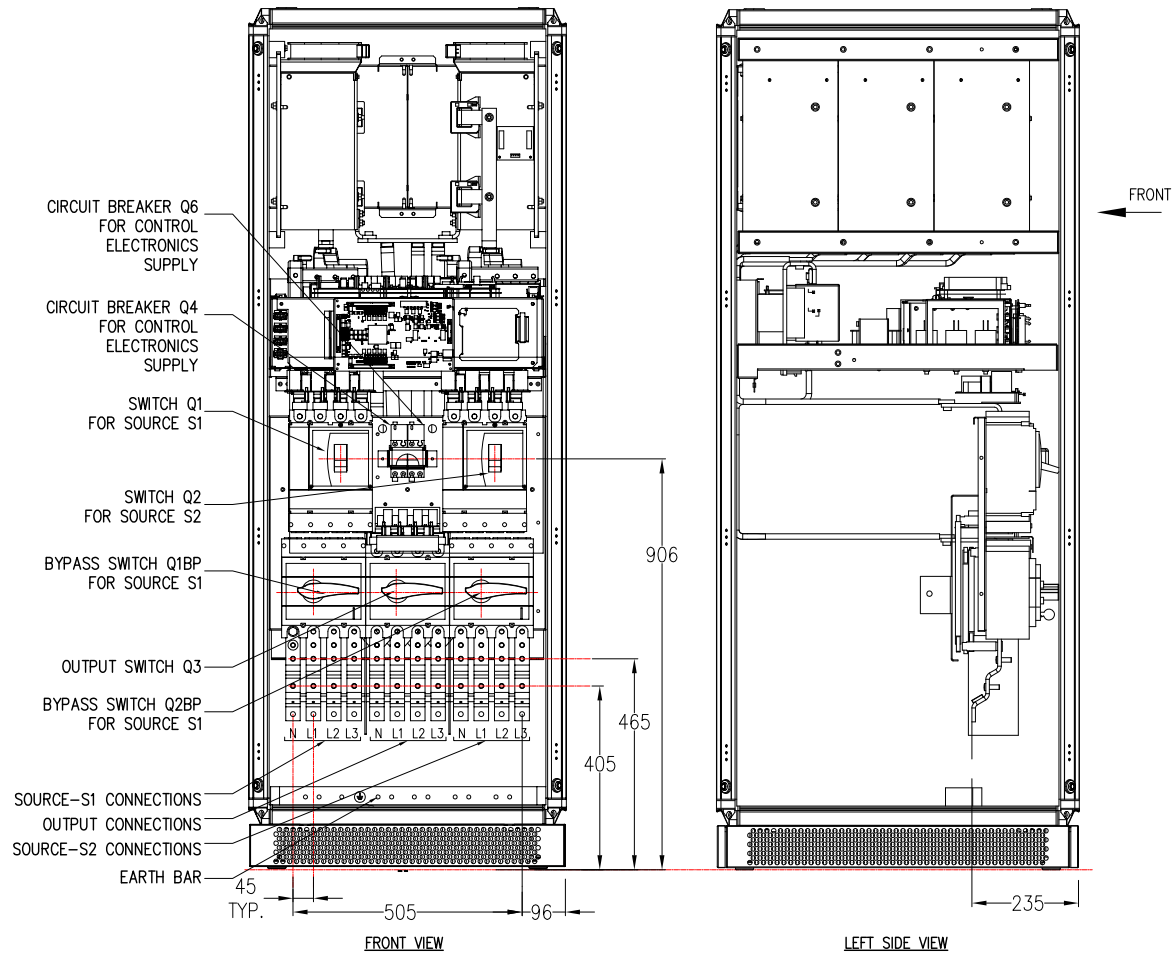
DWG NO: STS400K630-3P REV. 1

DRAWN: K.NAGENDRA 07-DEC-18

ENGINEER: SUDHEER.K.S 07-DEC-18

APPROVED: JAKUB WOLSKI 07-DEC-18

FIRST ANGLE PROJECTION:



**NOTES:**

1. INSTALLATION SHALL COMPLY WITH ALL APPLICABLE NATIONAL, STATE AND LOCAL ELECTRICAL REGULATIONS.
2. PLEASE REFER TO PRODUCT MANUALS FOR ADDITIONAL DETAILS PRIOR TO INSTALLATION AND SITE PREPARATION WORK.
3. ALL DIMENSIONS ARE IN MILLIMETERS.
4. SOME STRUCTURAL DETAILS HAVE BEEN OMITTED FOR THE PURPOSE OF CLARITY.

THIS DRAWING AND SPECIFICATIONS HEREIN ARE THE PROPERTY OF SCHNEIDER ELECTRIC AND SHALL NOT BE COPIED, REPRODUCED OR USED IN WHOLE OR IN PART, AS THE BASIS FOR THE MANUFACTURE OR SALE OF ITEMS WITHOUT WRITTEN PERMISSION FROM SCHNEIDER ELECTRIC. THIS DRAWING IS BASED UPON LATEST AVAILABLE INFORMATION AND IS SUBJECT TO CHANGE WITHOUT NOTICE.



**TITLE** UGE UPSILON STATIC TRANSFER SWITCH  
 Input: 380/400/415V AC 50/60Hz 3PH  
 Output: 380/400/415V AC 50/60Hz 3PH  
 STS400/STS630-3POLE  
 INTERNAL VIEWS  
**PROJECT:** SUBMITTAL DRAWINGS **SHEET 3 OF 3**

**DWG NO:** STS400K630-3P  
**DRAWN:** K.NAGENDRA 27-NOV-18  
**ENGINEER:** SUDHEER.K.S 27-NOV-18  
**APPROVED:** JAKUB WOLSKI 27-NOV-18

**REV:** 1  
**FIRST ANGLE PROJECTION:**