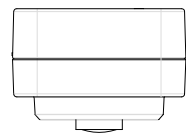
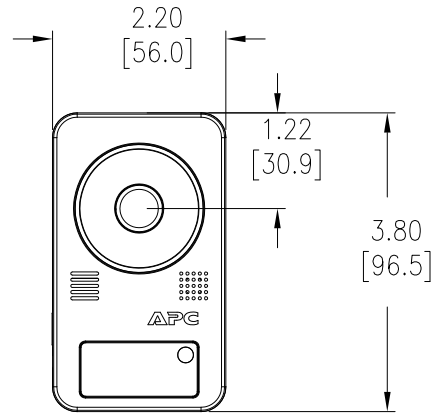


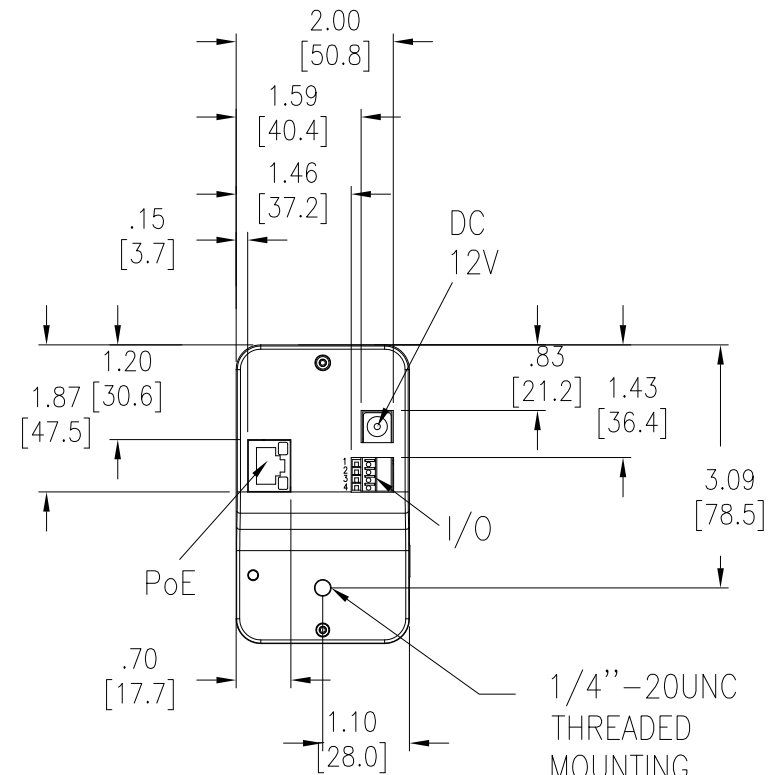
LH SIDE VIEW



TOP VIEW

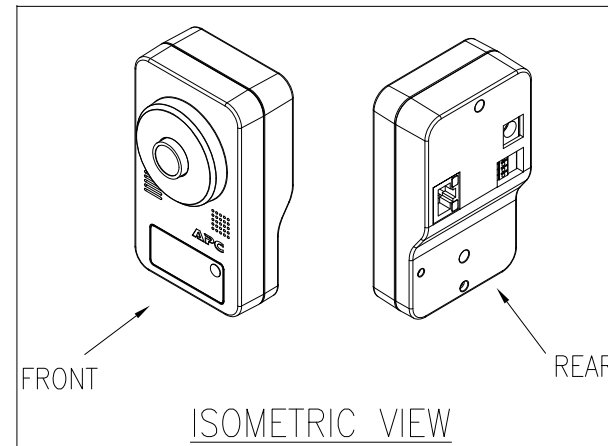


FRONT VIEW



REAR VIEW

1/4" - 20UNC
THREADED
MOUNTING
HOLE



ISOMETRIC VIEW

NOTES:

1. INSTALLATION SHALL COMPLY WITH ALL APPLICABLE NATIONAL, STATE AND LOCAL CODES.
2. REFER TO PRODUCT DOCUMENTATION FOR ADDITIONAL DETAILS PRIOR TO INSTALLATION AND SITE PREPARATION WORK.
3. ALL DIMENSIONS ARE IN INCHES [MILLIMETERS].

THIS DRAWING AND SPECIFICATIONS HEREIN ARE THE PROPERTY OF SCHNEIDER ELECTRIC AND SHALL NOT BE COPIED, REPRODUCED OR USED IN WHOLE OR IN PART, AS THE BASIS FOR THE MANUFACTURE OR SALE OF ITEMS WITHOUT WRITTEN PERMISSION FROM SCHNEIDER ELECTRIC. THIS DRAWING IS BASED UPON LATEST AVAILABLE INFORMATION AND IS SUBJECT TO CHANGE WITHOUT NOTICE.



TITLE: NETBOTZ SECURITY AND ENVIRONMENT MONITORING APC OH MODEL HOUSING GENERAL ARRANGEMENT

PROJECT: DRAWINGS SHEET 1 OF 1

DWG NO: NBPDO165 REV. 0

DRAWN BY: K.NAGENDRA 06-NOV-18 THIRD

ENGINEER: P.FISCHER /S BROWN 06-NOV-18 ANGLE

APPROVED BY: PETER FISCHER 06-NOV-18 PROJECTION