

- NOTES:**
- INSTALLATION MUST COMPLY WITH ALL APPLICABLE NATIONAL AND LOCAL ELECTRICAL REGULATIONS.
 - REFER TO PRODUCT DOCUMENTATION FOR ADDITIONAL DETAILS PRIOR TO INSTALLATION AND SITE PREPARATION WORK.
 - ALL DIMENSIONS ARE IN MILLIMETERS [INCHES].
 - FRONT ACCESS REQUIRED FOR SERVICE. MINIMUM REQUIRED FRONT CLEARANCE IS 800[31.5].
REAR CLEARANCE 100[4.0] REQUIRED FOR VENTILATION. NO SIDE CLEARANCE REQUIRED.
 - ALL DIMENSIONS ARE TO THE OUTSIDE OF THE CABINET, EXCLUDING HANDLE AND ALL HARDWARE.
 - CABLE ENTRY IS FROM BOTTOM OF THE CABINET.
 - FOR WEIGHT AND CENTER OF GRAVITY OF THE UNIT REFER TO TABLE-1.
 - COLOR: RAL7035
 - PROTECTION CLASS - IP42.
 - DOOR SWING: FREELY ROTATES BY 180°.
 - OPERATING TEMPERATURE -0°C TO 40°C.
 - HEAT DISSIPATION:

RATING	10kVA	20kVA	30kVA	40kVA
Heat dissipation at 100% load (BTU/hr)	1963	3429	4959	6490

TABLE-1 WEIGHT AND CENTER OF GRAVITY DETAILS

UPS Rating	Weight kg[lbs]	Distance mm [inch]		
		x-distance	y-distance	z-distance
10kVA	535 [1177]	324.2 [12.76]	1919.4 [75.56]	372 [14.64]
20kVA	565 [1243]			
30kVA	655 [1441]			
40kVA	680 [1496]			

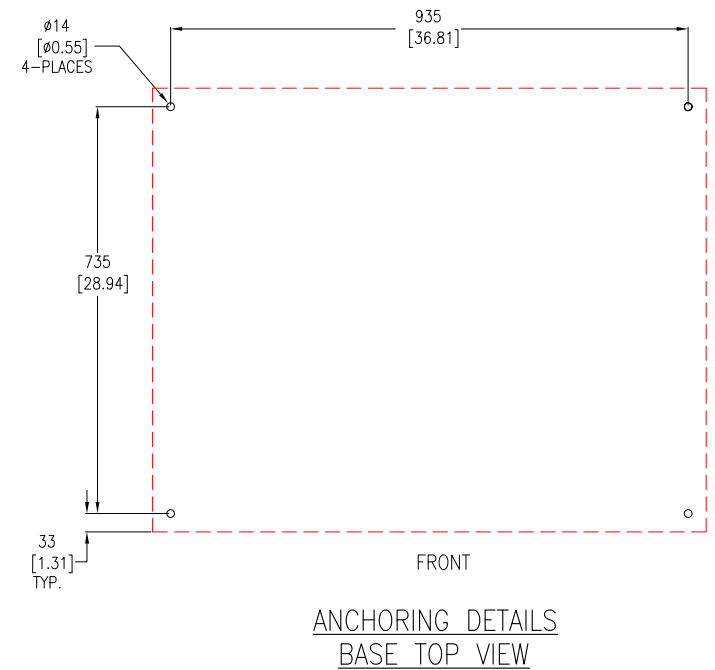
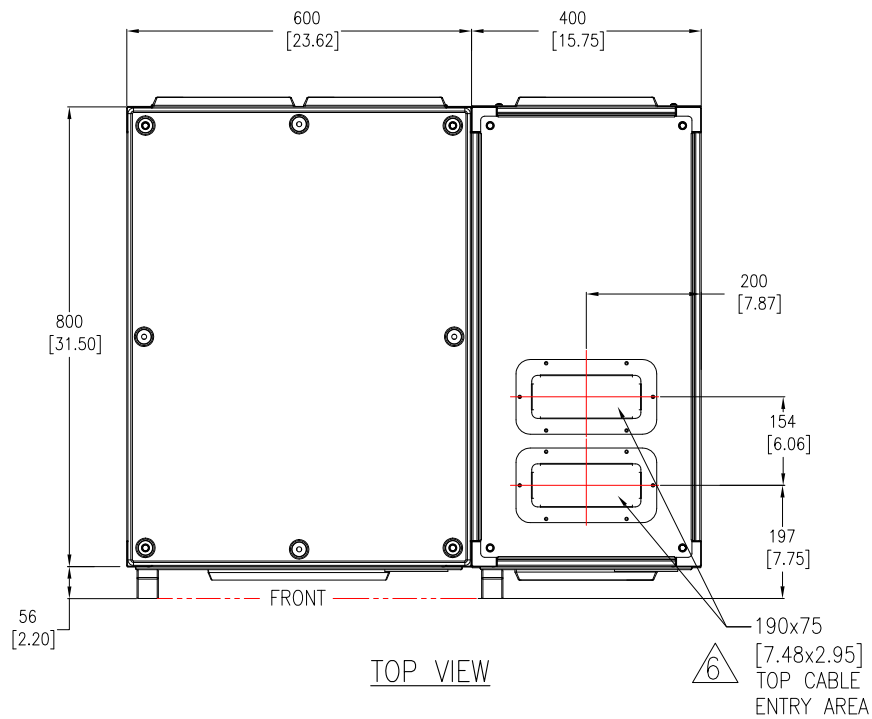
THIS DRAWING AND SPECIFICATIONS HEREIN ARE THE PROPERTY OF SCHNEIDER ELECTRIC AND SHALL NOT BE COPIED, REPRODUCED OR USED IN WHOLE OR IN PART, AS THE BASIS FOR THE MANUFACTURE OR SALE OF ITEMS WITHOUT WRITTEN PERMISSION FROM SCHNEIDER ELECTRIC. THIS DRAWING IS BASED UPON LATEST AVAILABLE INFORMATION AND IS SUBJECT TO CHANGE WITHOUT NOTICE.



TITLE: GUTOR PXC UPS
TOP ENTRY WITH BYPASS TRANSFORMER
INPUT: 380/400/415V, 3PH 50/60Hz
OUTPUT: 10-40kVA, 220/230/240V, 1PH, 50/60Hz
MAIN MECHANICAL

DWG NO: GUPXC10K40ITBXFMR
DRAWN: K NAGENDRA
ENGINEER: G RIZZA/G SCIANNA

REV: 0
27-JUN-18
27-JUN-18
27-JUN-18
FIRST ANGLE PROJECTION



NOTES:

1. INSTALLATION MUST COMPLY WITH ALL APPLICABLE NATIONAL AND LOCAL ELECTRICAL REGULATIONS.
2. REFER TO PRODUCT DOCUMENTATION FOR ADDITIONAL DETAILS PRIOR TO INSTALLATION AND SITE PREPARATION WORK.
3. ALL DIMENSIONS ARE IN MILLIMETERS [INCHES].
4. FIXATION OF ANCHORING BRACKETS IN FRONT IS OPTIONAL IN NON-SEISMIC LOCATIONS.
5. FLOOR ANCHORING BOLTS ARE NOT SUPPLIED.

△ 6. DRILL/PUNCH HOLES IN PLATE. REMOVE PLATE FROM CABINET BEFORE DRILLING/PUNCHING.

THIS DRAWING AND SPECIFICATIONS HEREIN ARE THE PROPERTY OF SCHNEIDER ELECTRIC AND SHALL NOT BE COPIED, REPRODUCED OR USED IN WHOLE OR IN PART, AS THE BASIS FOR THE MANUFACTURE OR SALE OF ITEMS WITHOUT WRITTEN PERMISSION FROM SCHNEIDER ELECTRIC. THIS DRAWING IS BASED UPON LATEST AVAILABLE INFORMATION AND IS SUBJECT TO CHANGE WITHOUT NOTICE.



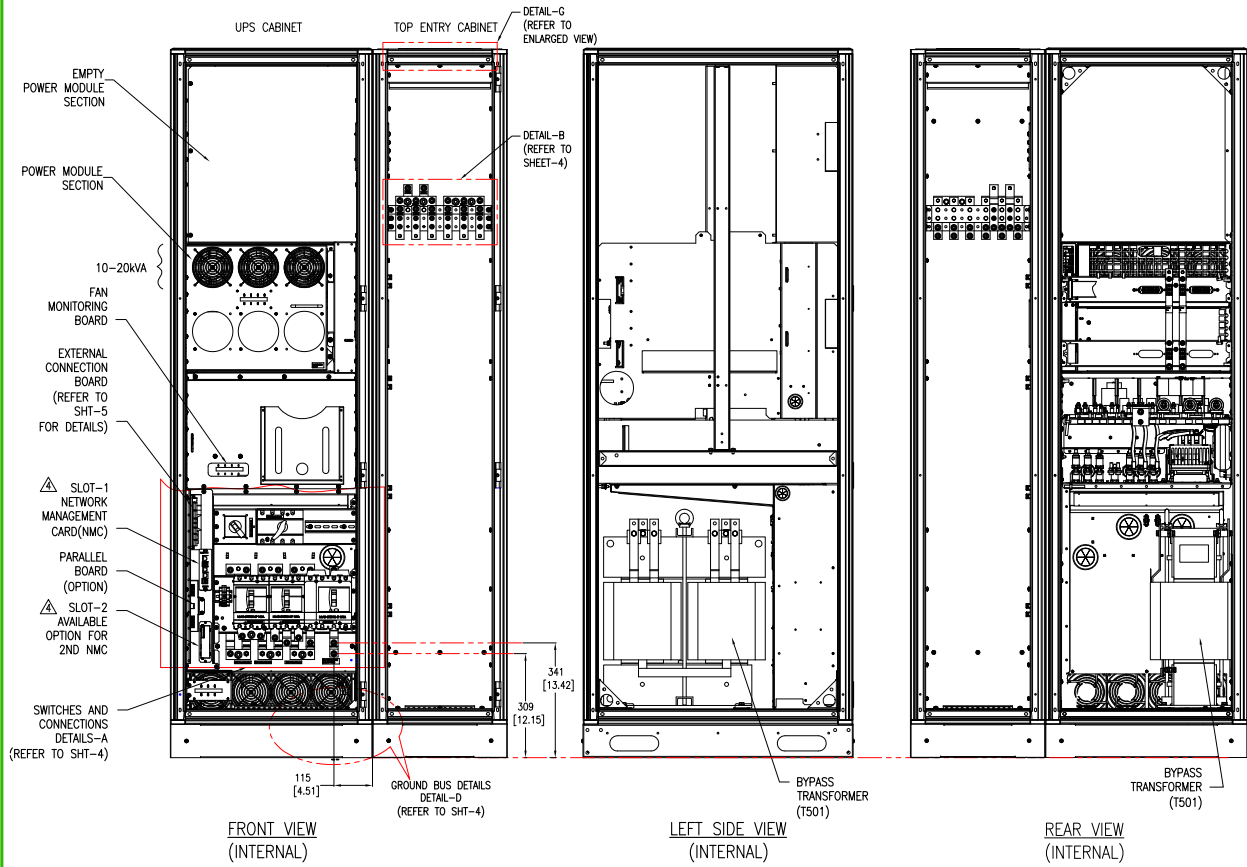
TITLE: GUTOR PXC UPS
TOP ENTRY WITH BYPASS TRANSFORMER
INPUT: 380/400/415V, 3PH 50/60Hz
OUTPUT : 10-40kVA, 220/230/240V, 1PH, 50/60Hz
TOP, BOTTOM VIEW & ANCHORING DETAILS

PROJECT: SUBMITTAL DRAWINGS SHEET 2 OF 5

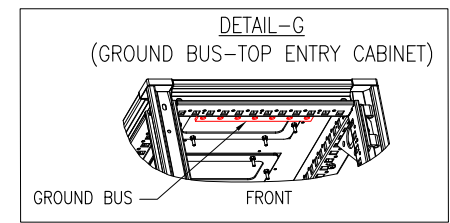
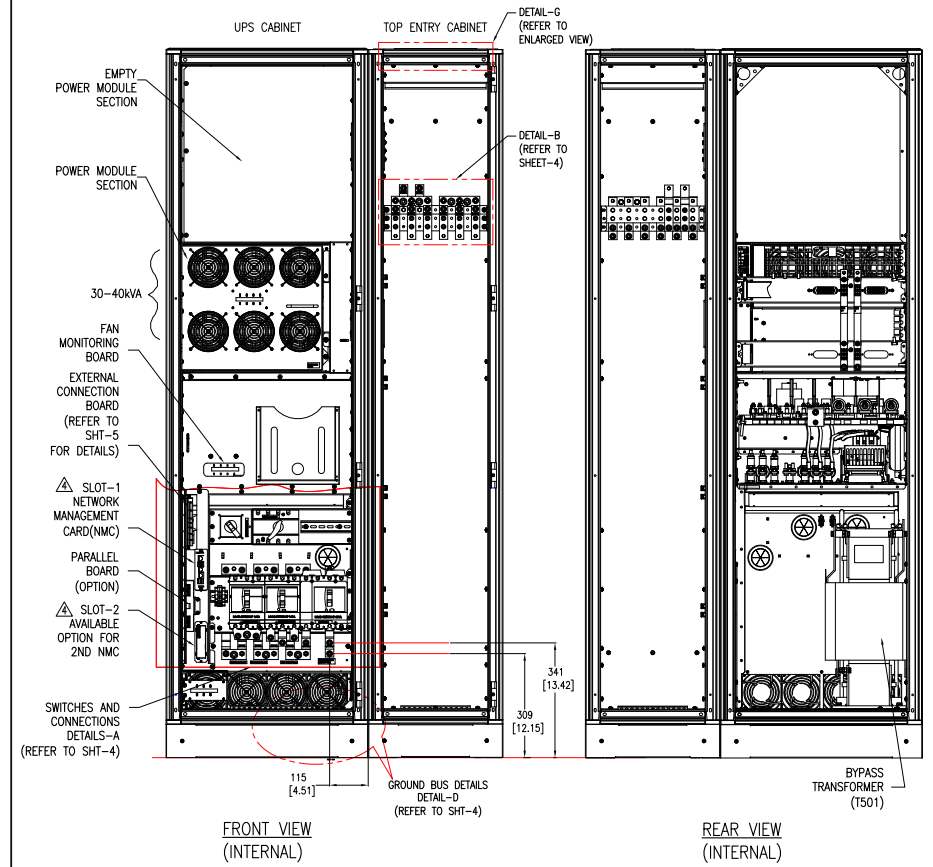
DWG NO: GUPXC10K40ITBXFMR	REV. 0
DRAWN: K NAGENDRA	27-JUN-18
ENGINEER: GIANNI SCIANNA	27-JUN-18
APPROVED: IRENE KENNEDY	27-JUN-18

FIRST ANGLE PROJECTION

10-20kVA UPS DETAILS



30-40kVA UPS DETAILS



NOTES:

1. INSTALLATION MUST COMPLY WITH ALL APPLICABLE NATIONAL AND LOCAL ELECTRICAL REGULATIONS.
2. REFER TO PRODUCT DOCUMENTATION FOR ADDITIONAL DETAILS PRIOR TO INSTALLATION AND SITE PREPARATION WORK.
3. ALL DIMENSIONS ARE IN MILLIMETERS [INCHES].
- △ 4. SMART SLOT-1 IS POPULATED WITH A NETWORK MANAGEMENT CARD(NMC) AP9635 FROM THE FACTORY. THE SECOND SMART SLOT CAN BE POPULATED WITH ANOTHER NMC AP9635. CONFIGURE BY DOWNLOADING THE LATEST GUTOR PXC FIRMWARE ON THE SCHNEIDER ELECTRIC WEBSITE.
5. SOME STRUCTURAL DETAILS HAVE BEEN OMITTED FOR THE PURPOSE OF CLARITY.

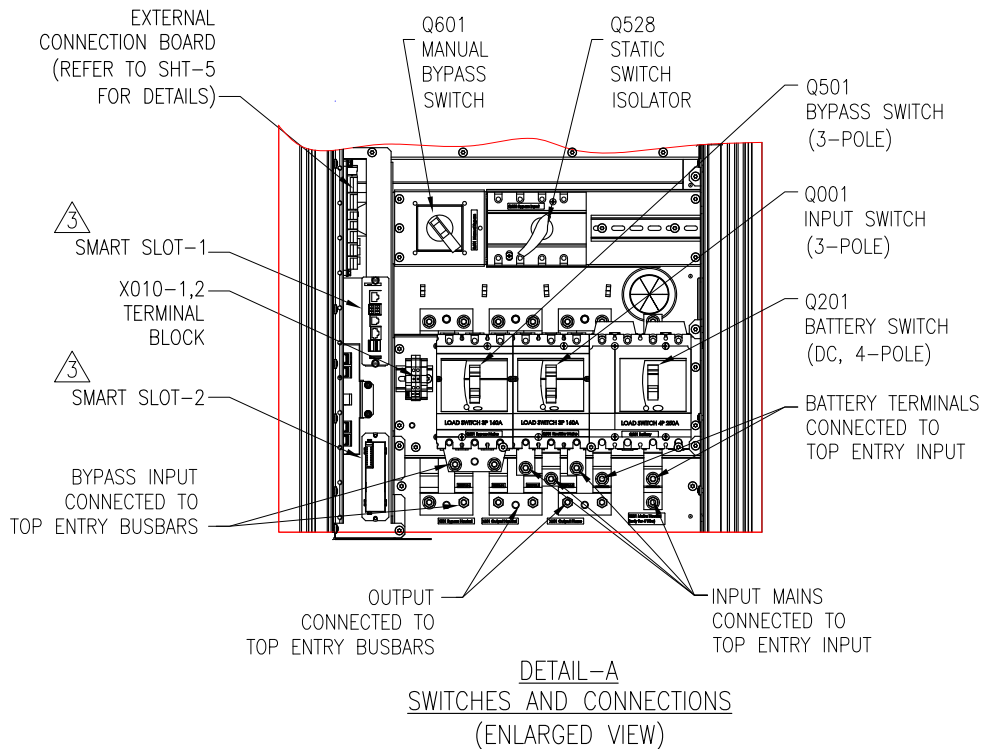
THIS DRAWING AND SPECIFICATIONS HEREIN ARE THE PROPERTY OF SCHNEIDER ELECTRIC AND SHALL NOT BE COPIED, REPRODUCED OR USED IN WHOLE OR IN PART, AS THE BASIS FOR THE MANUFACTURE OR SALE OF ITEMS WITHOUT WRITTEN PERMISSION FROM SCHNEIDER ELECTRIC. THIS DRAWING IS BASED UPON LATEST AVAILABLE INFORMATION AND IS SUBJECT TO CHANGE WITHOUT NOTICE.



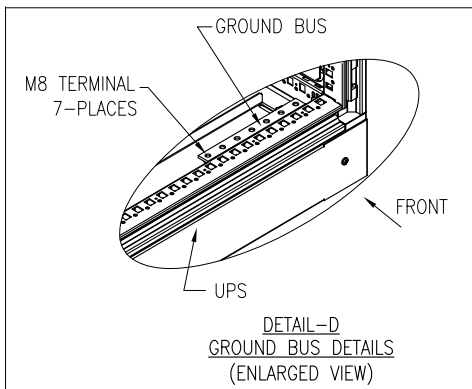
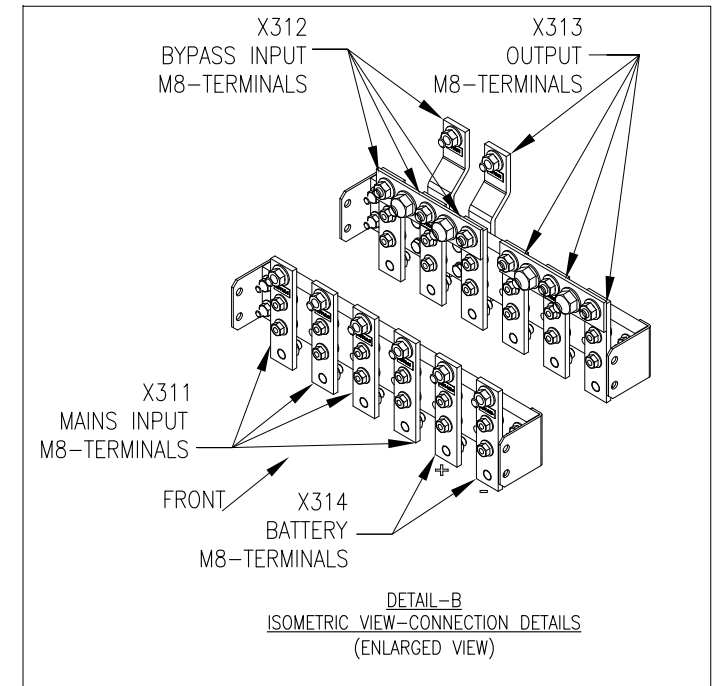
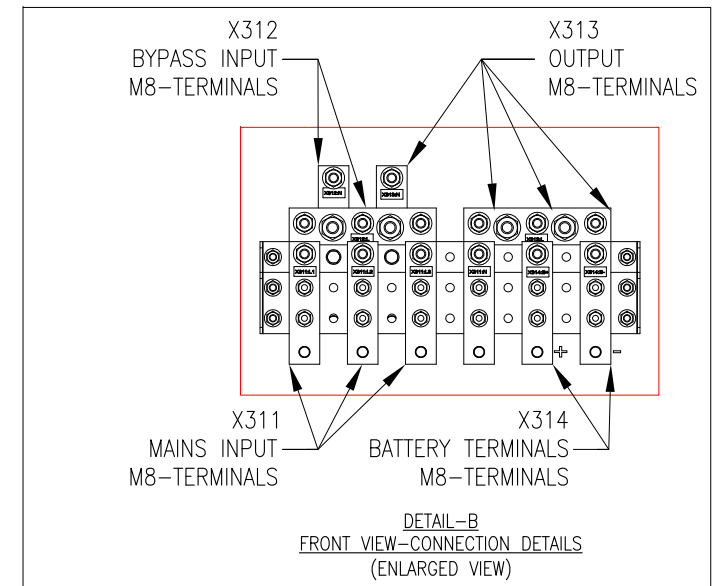
TITLE: GUTOR PXC UPS
TOP ENTRY WITH BYPASS TRANSFORMER
INPUT: 380/400/415V, 3PH 50/60Hz
OUTPUT: 10-40kVA, 220/230/240V, 1PH, 50/60Hz
INTERNAL DETAILS-1

DWG NO:	GUPXC10K40ITBXFMR	REV:	0
DRAWN:	K NAGENDRA	DATE:	27-JUN-18
ENGINEER:	GIANNI SCIANNA	DATE:	27-JUN-18
APPROVED:	IRENE KENNEDY	DATE:	27-JUN-18
PROJECT:	SUBMITTAL DRAWINGS	SHEET:	3 OF 5
		ANGLE	FIRST PROJECTION

DUAL MAINS CONNECTION DETAILS



CONNECTION TERMINALS (TOP ENTRY CABINET)



NOTES:

1. INSTALLATION MUST COMPLY WITH ALL APPLICABLE NATIONAL AND LOCAL ELECTRICAL REGULATIONS.
2. REFER TO PRODUCT DOCUMENTATION FOR ADDITIONAL DETAILS PRIOR TO INSTALLATION AND SITE PREPARATION WORK.
- △ 3. SMART SLOT-1 IS POPULATED WITH A NETWORK MANAGEMENT CARD (NMC) AP9635 FROM THE FACTORY. THE SECOND SMART SLOT CAN BE POPULATED WITH ANOTHER NMC AP9635. CONFIGURE BY DOWNLOADING THE LATEST GUTOR PXC FIRMWARE ON THE SCHNEIDER ELECTRIC WEBSITE. FOR DETAILS, REFER TO THE INSTALLATION MANUAL.
4. SOME STRUCTURAL DETAILS HAVE BEEN OMITTED FOR THE PURPOSE OF CLARITY.
5. DEFAULT CONFIGURATION IS DUAL MAINS.

THIS DRAWING AND SPECIFICATIONS HEREIN ARE THE PROPERTY OF SCHNEIDER ELECTRIC AND SHALL NOT BE COPIED, REPRODUCED OR USED IN WHOLE OR IN PART, AS THE BASIS FOR THE MANUFACTURE OR SALE OF ITEMS WITHOUT WRITTEN PERMISSION FROM SCHNEIDER ELECTRIC. THIS DRAWING IS BASED UPON LATEST AVAILABLE INFORMATION AND IS SUBJECT TO CHANGE WITHOUT NOTICE.



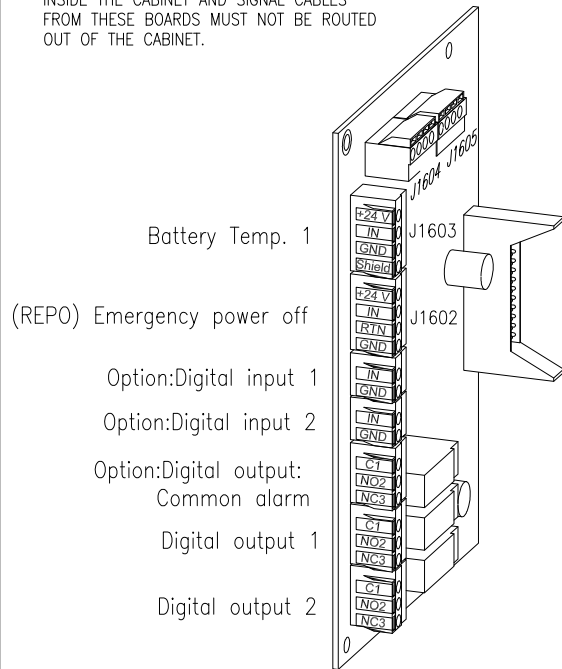
TITLE: GUTOR PXC UPS
TOP ENTRY WITH BYPASS TRANSFORMER
INPUT: 380/400/415V, 3PH 50/60Hz
OUTPUT: 10-40kVA, 220/230/240V, 1PH, 50/60Hz
INTERNAL DETAILS-2

DWG NO: GUPXC10K40ITBXFMR REV. 0

DRAWN: K NAGENDRA	27-JUN-18	FIRST ANGLE
ENGINEER: GIANNI SCIANNA	27-JUN-18	PROJECTION
APPROVED: IRENE KENNEDY	27-JUN-18	

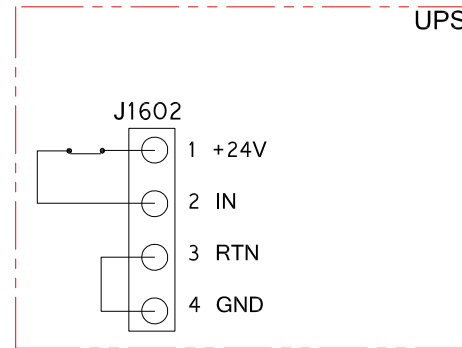
EXTERNAL CONNECTION BOARD

THE DIGITAL INPUTS IN THE EXTERNAL CONNECTED BOARDS ARE DESIGNED FOR CONNECTION TO EQUIPMENT INSIDE THE CABINET AND SIGNAL CABLES FROM THESE BOARDS MUST NOT BE ROUTED OUT OF THE CABINET.

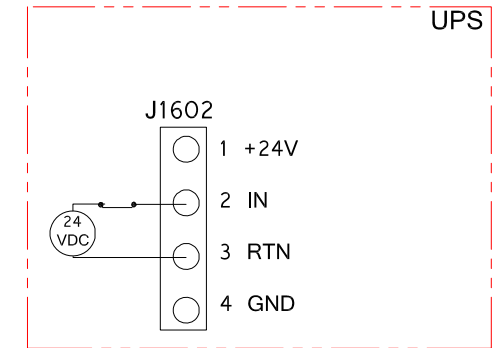


REPO DETAILS

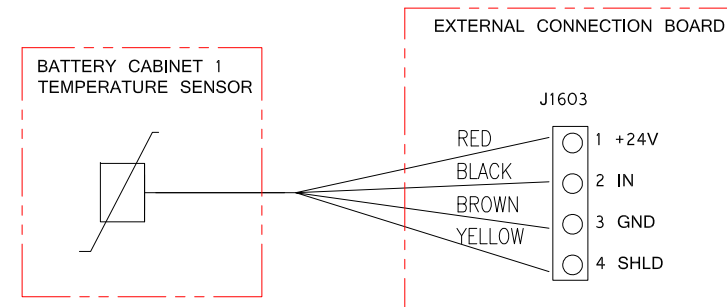
REPO WITH INTERNAL SUPPLY UPS



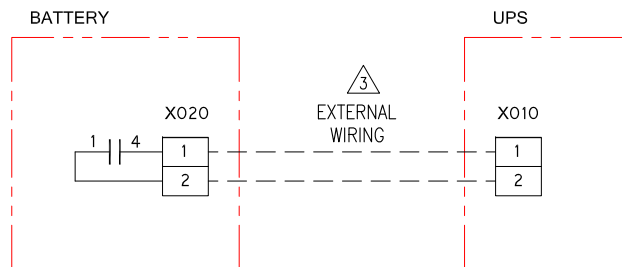
REPO WITH EXTERNAL SUPPLY UPS



CABLE CONNECTIONS FOR TEMPERATURE SENSORS IN BATTERY CABINET



BATTERY SWITCH WIRING DETAILS



NOTES:

1. INSTALLATION MUST COMPLY WITH ALL APPLICABLE NATIONAL AND LOCAL ELECTRICAL REGULATIONS.
2. REFER TO PRODUCT DOCUMENTATION FOR ADDITIONAL DETAILS PRIOR TO INSTALLATION AND SITE PREPARATION WORK.
- △3. CABLE BETWEEN UPS AND BATTERY CABINET ARE NOT IN THE SCOPE OF SUPPLY.

THIS DRAWING AND SPECIFICATIONS HEREIN ARE THE PROPERTY OF SCHNEIDER ELECTRIC AND SHALL NOT BE COPIED, REPRODUCED OR USED IN WHOLE OR IN PART, AS THE BASIS FOR THE MANUFACTURE OR SALE OF ITEMS WITHOUT WRITTEN PERMISSION FROM SCHNEIDER ELECTRIC. THIS DRAWING IS BASED UPON LATEST AVAILABLE INFORMATION AND IS SUBJECT TO CHANGE WITHOUT NOTICE.



TITLE: GUTOR PXC UPS
TOP ENTRY WITH BYPASS TRANSFORMER
INPUT: 380/400/415V, 3PH 50/60Hz
OUTPUT: 10-40kVA, 220/230/240V, 1PH, 50/60Hz
EXTERNAL CONNECTIONS, EPO & Shunt trip Details

PROJECT: SUBMITTAL DRAWINGS SHEET 5 OF 5

DWG NO: GUPXC10K40ITBXFMR REV. 0

DRAWN: K NAGENDRA	27-JUN-18	FIRST ANGLE PROJECTION
ENGINEER: GIANNI SCIANNA	27-JUN-18	
APPROVED: IRENE KENNEDY	27-JUN-18	