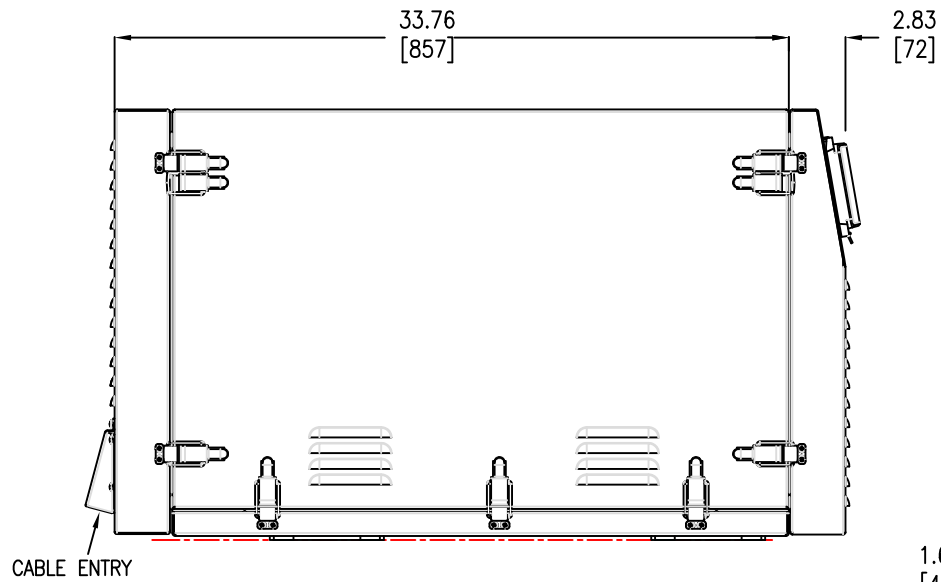
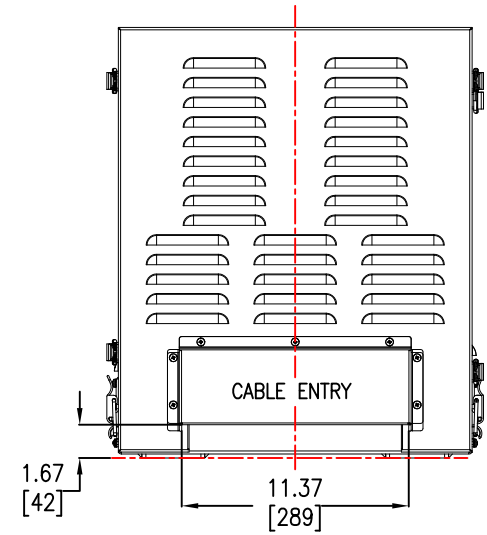


FRONT VIEW



LEFT SIDE VIEW



LEFT SIDE VIEW

NOTES:

1. INSTALLATION MUST COMPLY WITH ALL APPLICABLE NATIONAL AND LOCAL CODES.
2. PLEASE REFER TO APC by Schneider-Electric PRODUCT MANUALs FOR DETAILS.
3. ALL DIMENSIONS ARE IN INCHES [MILLIMETERS].
4. WEIGHT OF UNIT IS 86 lbs [39.1kg].

THIS DRAWING AND SPECIFICATIONS HEREIN ARE THE PROPERTY OF SCHNEIDER ELECTRIC AND SHALL NOT BE COPIED, REPRODUCED OR USED IN WHOLE OR IN PART, AS THE BASIS FOR THE MANUFACTURE OR SALE OF ITEMS WITHOUT WRITTEN PERMISSION FROM SCHNEIDER ELECTRIC. THIS DRAWING IS BASED UPON LATEST AVAILABLE INFORMATION AND IS SUBJECT TO CHANGE WITHOUT NOTICE.



TITLE: SMART-UPS RT MARINE
5/6/8/10kVA SRT UPS & XBP
IP23 ENCLOSURE
FOR WATER INGRESS PROTECTION
MAIN MECHANICAL

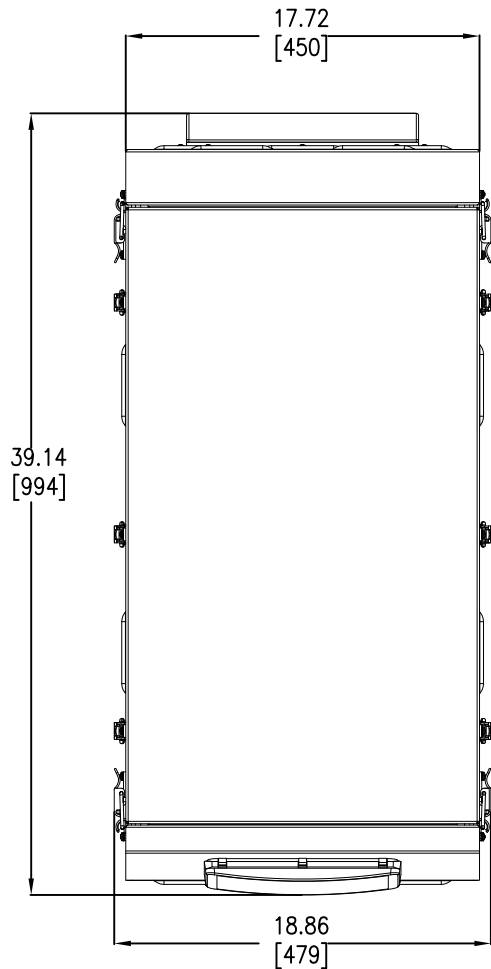
DWG NO: SRT10IP23 REV. 0

DRAWN BY: K.NAGENDRA 12-SEP-17 THIRD

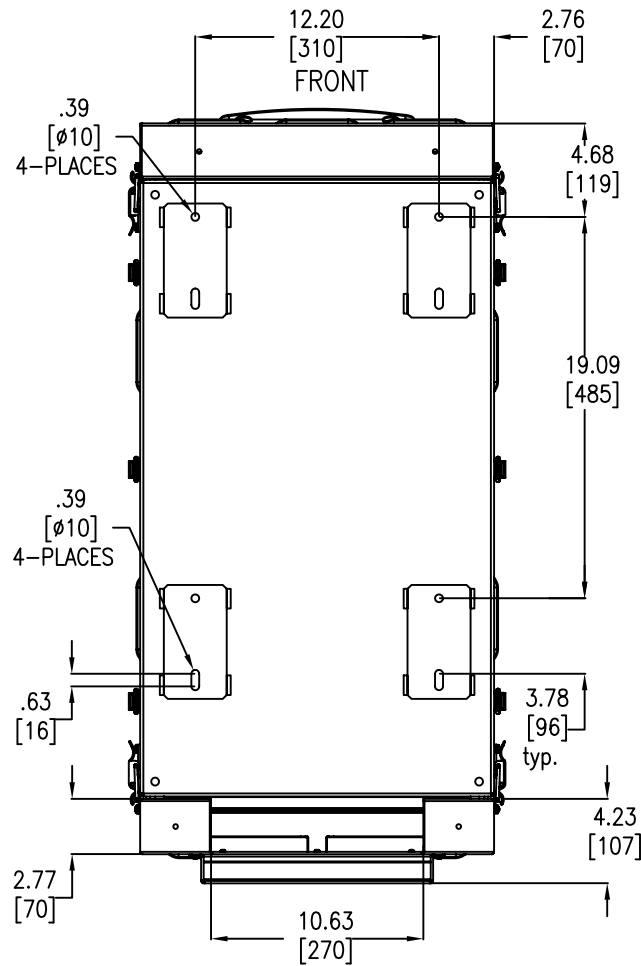
ENGINEER: JEFF YOUNG 12-SEP-17 ANGLE

APPROVED BY: ANDREW CHASE 12-SEP-17 PROJ.

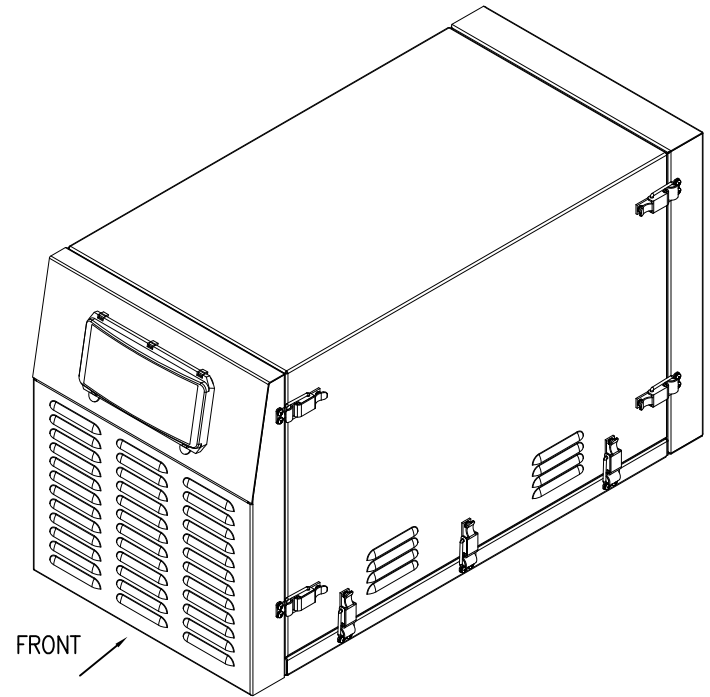
PROJECT: STD SUBMITTAL DRAWINGS SHEET 1 OF 2



TOP VIEW



BOTTOM VIEW



ISOMETRIC VIEW

NOTES:

1. INSTALLATION MUST COMPLY WITH ALL APPLICABLE NATIONAL AND LOCAL CODES.
2. PLEASE REFER TO APC by Schneider-Electric PRODUCT MANUALS FOR DETAILS.
3. ALL DIMENSIONS ARE IN INCHES [MILLIMETERS].

THIS DRAWING AND SPECIFICATIONS HEREIN ARE THE PROPERTY OF SCHNEIDER ELECTRIC AND SHALL NOT BE COPIED, REPRODUCED OR USED IN WHOLE OR IN PART, AS THE BASIS FOR THE MANUFACTURE OR SALE OF ITEMS WITHOUT WRITTEN PERMISSION FROM SCHNEIDER ELECTRIC. THIS DRAWING IS BASED UPON LATEST AVAILABLE INFORMATION AND IS SUBJECT TO CHANGE WITHOUT NOTICE.



TITLE: SMART-UPS RT MARINE
5/6/8/10kVA SRT UPS & XBP
IP23 ENCLOSURE
FOR WATER INGRESS PROTECTION
TOP, BOTTOM & ISOMETRIC VIEWS

PROJECT: STD SUBMITTAL DRAWINGS SHEET 2 OF 2

DWG NO: SRT10IP23 REV. 0

DRAWN BY: K.NAGENDRA 12-SEP-17

ENGINEER: JEFF YOUNG 12-SEP-17

APPROVED BY: ANDREW CHASE 12-SEP-17

THIRD
ANGLE
PROJ.