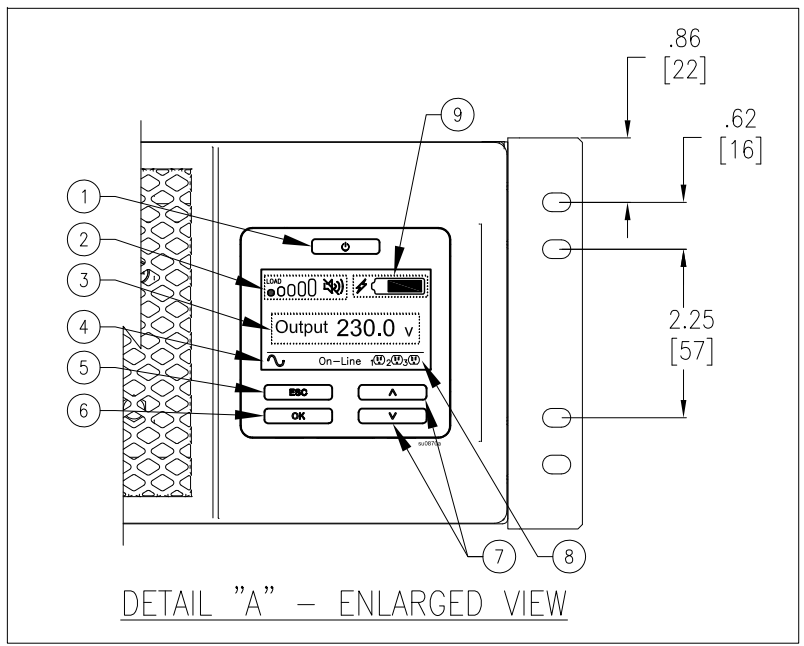
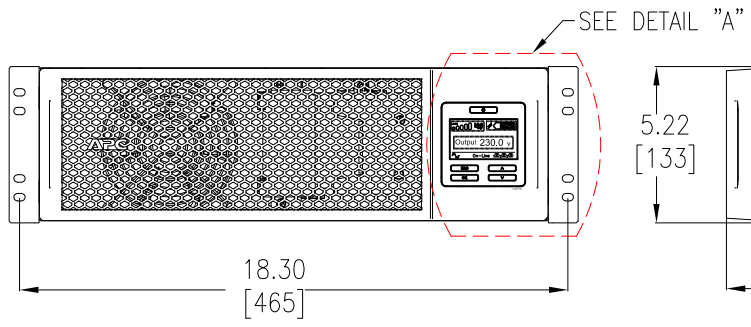


TOP VIEW

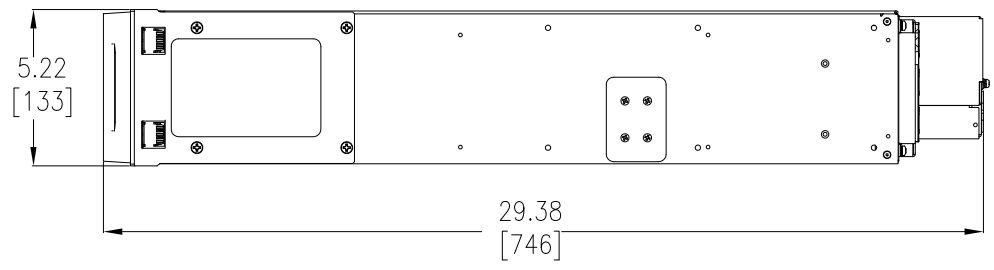


DETAIL "A" - ENLARGED VIEW

- DISPLAY INTERFACE:**
1. POWER "ON/OFF" BUTTON.
  2. LOAD ICON, DISABLE/MUTE AUDIBLE ALARM ICON.
  3. UPS STATUS INFORMATION.
  4. OPERATION MODE ICONS.
  5. "ESCAPE" BUTTON.
  6. "OK" BUTTON.
  7. "UP/DOWN" BUTTONS.
  8. CONTROLLABLE OUTLET GROUP STATUS ICONS.
  9. BATTERY STATUS ICONS.



FRONT VIEW



SIDE VIEW

**NOTES:**

1. INSTALLATION MUST COMPLY WITH ALL APPLICABLE NATIONAL AND LOCAL CODES.
2. PLEASE REFER TO APC BY SCHNEIDER ELECTRIC PRODUCT MANUAL FOR DETAILS.
3. ALL DIMENSIONS ARE IN INCHES [MILLIMETERS].
4. WEIGHT OF UNIT IS 120.00 LB [54.55 KG].
5. CABLE ENTRY FROM REAR SIDE OF UNIT.

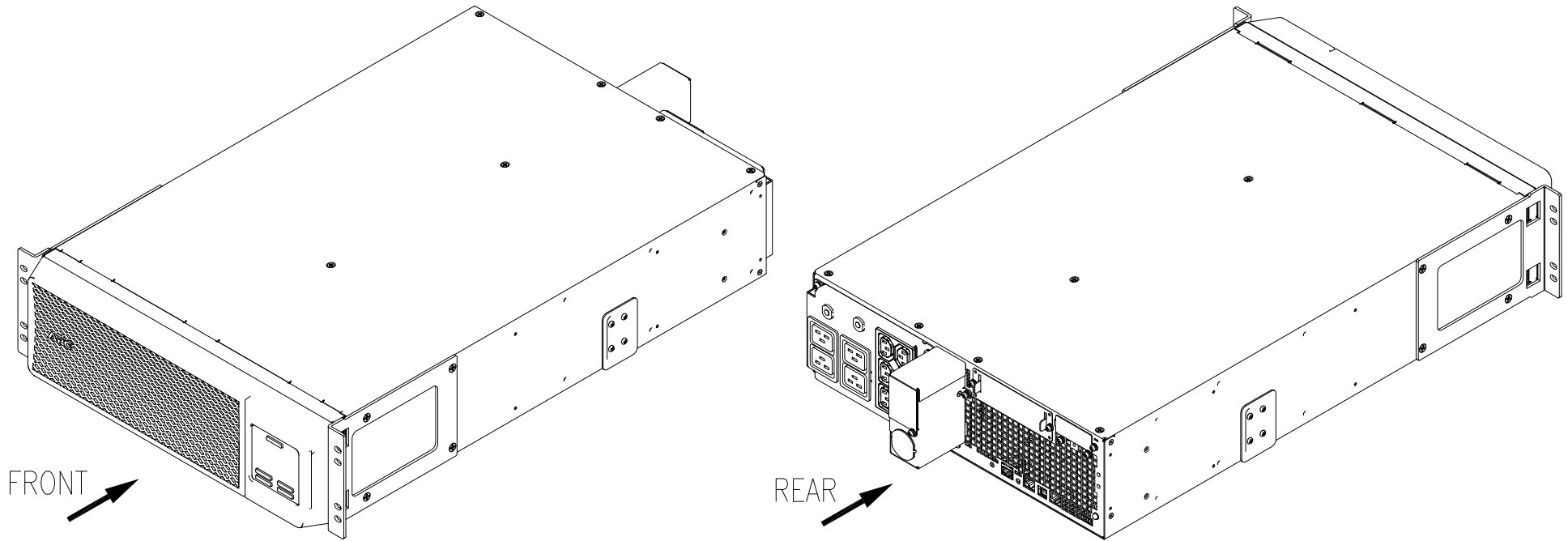
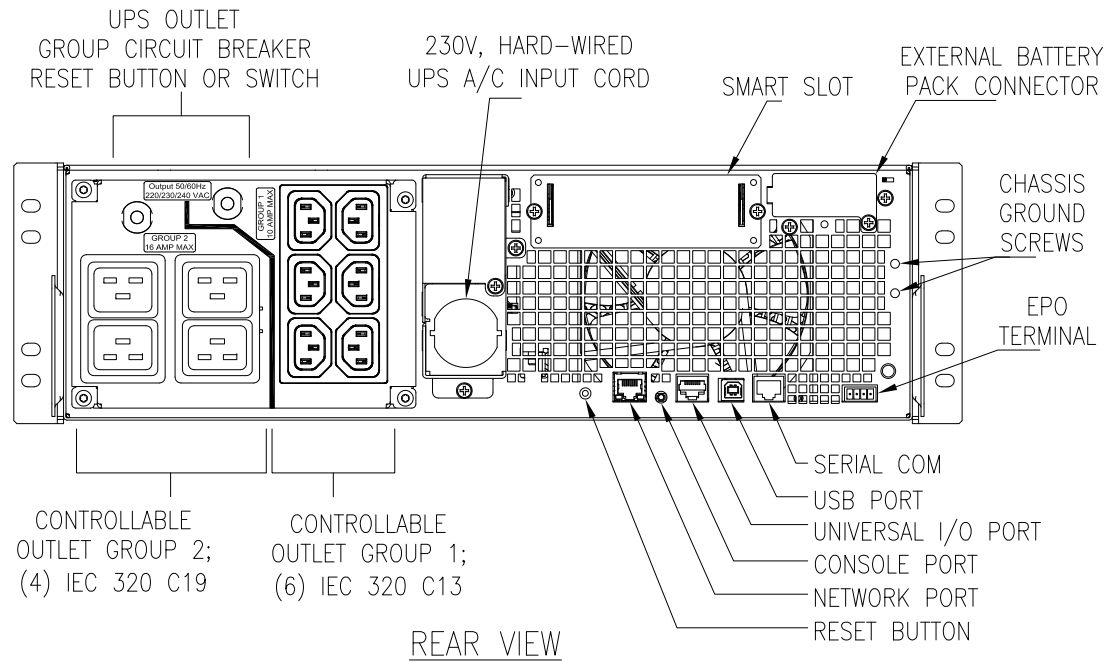
THIS DRAWING AND SPECIFICATIONS HEREIN ARE THE PROPERTY OF SCHNEIDER ELECTRIC AND SHALL NOT BE COPIED, REPRODUCED OR USED IN WHOLE OR IN PART, AS THE BASIS FOR THE MANUFACTURE OR SALE OF ITEMS WITHOUT WRITTEN PERMISSION FROM SCHNEIDER ELECTRIC. THIS DRAWING IS BASED UPON LATEST AVAILABLE INFORMATION AND IS SUBJECT TO CHANGE WITHOUT NOTICE.



TITLE: SMART-UPS RT MARINE  
5kVA RACK-MOUNT  
INPUT: 230V; HARD-WIRE (3-WIRE)  
OUTPUT: (6) IEC 320 C13; (4) IEC 320 C19  
MAIN MECHANICAL

DWG NO: SRT5KRMXLIM  
DRAWN BY: K NAGENDRA  
ENGINEER: JEFF YOUNG  
APPROVED BY: ANDREW CHASE

REV. 0  
THIRD  
ANGLE  
PROJ.



**NOTES:**

1. INSTALLATION MUST COMPLY WITH ALL APPLICABLE NATIONAL AND LOCAL CODES.
2. PLEASE REFER TO APC PRODUCT MANUAL FOR DETAILS.

THIS DRAWING AND SPECIFICATIONS HEREIN ARE THE PROPERTY OF SCHNEIDER ELECTRIC AND SHALL NOT BE COPIED, REPRODUCED OR USED IN WHOLE OR IN PART, AS THE BASIS FOR THE MANUFACTURE OR SALE OF ITEMS WITHOUT WRITTEN PERMISSION FROM SCHNEIDER ELECTRIC. THIS DRAWING IS BASED UPON LATEST AVAILABLE INFORMATION AND IS SUBJECT TO CHANGE WITHOUT NOTICE.



TITLE: SMART-UPS RT MARINE  
5kVA RACK-MOUNT  
INPUT: 230V; HARD-WIRE (3-WIRE)  
OUTPUT: (6) IEC 320 C13; (4) IEC 320 C19  
REAR AND ISOMETRIC VIEWS

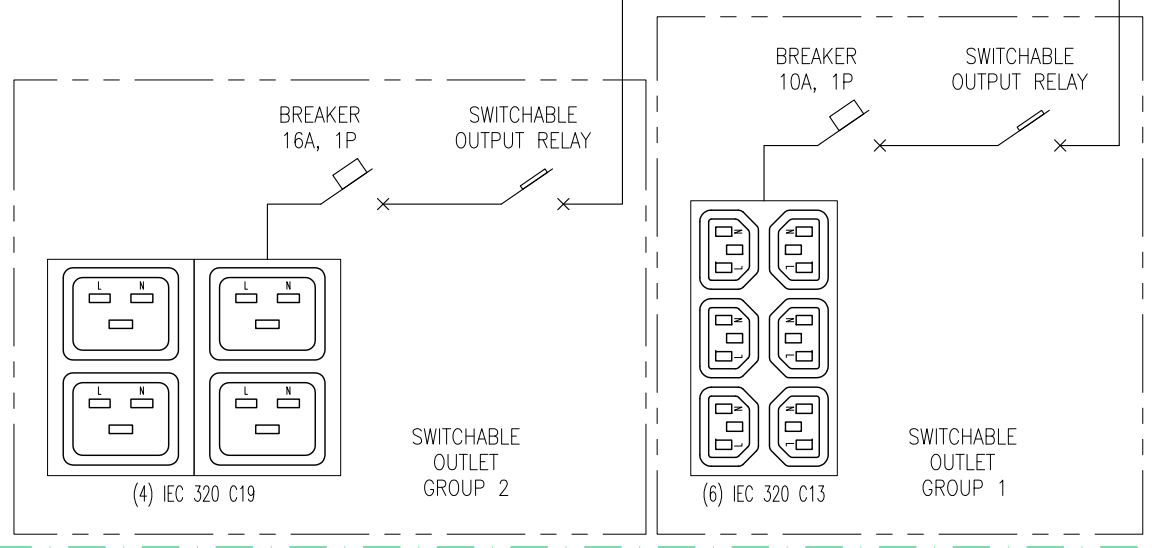
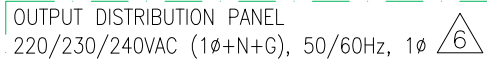
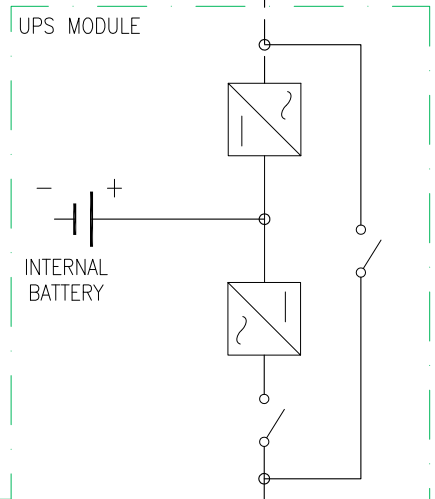
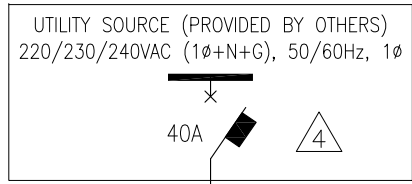
PROJECT: STD SUBMITTAL DRAWINGS SHEET 2 OF 3

DWG NO: SRT5KRMXLIM REV. 0

DRAWN BY: K NAGENDRA 13-SEP-17 THIRD

ENGINEER: JEFF YOUNG 13-SEP-17 ANGLE

APPROVED BY: ANDREW CHASE 13-SEP-17 PROJ.



**NOTES:**

1. INSTALLATION SHALL COMPLY WITH ALL APPLICABLE NATIONAL, STATE AND LOCAL CODES.
2. PLEASE REFER TO PRODUCT DOCUMENTATION FOR FURTHER INFORMATION.
3. DRAWING DEPICTS POWER SYSTEM CONNECTIONS AND IS NOT REPRESENTATIVE OF PHYSICAL LAYOUT. PLEASE REFER TO MECHANICAL DRAWINGS FOR MORE SPECIFIC PHYSICAL DATA.
- △4. UTILITY SOURCE MUST BE 1Ø, 220/230/240VAC (1Ø+N+G), 50/60Hz PROVIDED BY OTHERS.
- △5. DASHED LINES BETWEEN UNITS (-----) REPRESENT CABLING PROVIDED BY OTHERS.
- △6. OUTPUT DISTRIBUTION PANEL CONTAINS SWITCHABLE OUTPUT GROUPS. REFER TO INSTALLATION MANUAL FOR DETAILED INSTRUCTIONS.
- △7. OPTIONAL PDU PANELS CAN BE PURCHASED SEPARATELY & INSTALLED TO PROVIDE ALTERNATIVE LOAD CONNECTIONS.

THIS DRAWING AND SPECIFICATIONS HEREIN ARE THE PROPERTY OF SCHNEIDER ELECTRIC AND SHALL NOT BE COPIED, REPRODUCED OR USED IN WHOLE OR IN PART, AS THE BASIS FOR THE MANUFACTURE OR SALE OF ITEMS WITHOUT WRITTEN PERMISSION FROM SCHNEIDER ELECTRIC. THIS DRAWING IS BASED UPON LATEST AVAILABLE INFORMATION AND IS SUBJECT TO CHANGE WITHOUT NOTICE.



TITLE: SMART-UPS RT MARINE  
5kVA RACK-MOUNT  
INPUT: 230V; HARD-WIRE (3-WIRE)  
OUTPUT: (6) IEC 320 C13; (4) IEC 320 C19  
SINGLE LINE DIAGRAM

DWG NO: SRT5KRMXLIM  
DRAWN BY: K NAGENDRA  
ENGINEER: JEFF YOUNG  
APPROVED BY: ANDREW CHASE

REV. 0  
THIRD ANGLE PROJ.