

LEFT SIDE VIEW

FRONT VIEW

RIGHT SIDE VIEW

SPECIFICATION

BREAKER BOX SKU	gupxcd37b	gupxcd50b	gupxcd75b	gupxcd100b
UPS Rating	25kVA & 37.5kVA	50kVA	75kVA	100kVA
Nameplate Rating (Amps)	120A	160A	240A	360A
CB Rating (Amps)	150AT/250AF	200AT/250AF	300AT/600AF	400AT/600AF
CB Rating (KAIC)	50	50	50	50
Recommended Cable Size	1/0	3/0	350kcmil or 2 x 2/0	2 x 3/0
CB lug range	4-4/0	3/0 - 350kcmil	2 x 2/0 - 500kcmil	2 x 2/0 - 500kcmil
CB Torque	19 lb-ft (26 Nm)		37 lb-ft (50 Nm)	
TB Torque	0.75 lb-ft (1 Nm)		0.75 lb-ft (1 Nm)	
Weight lbs [kgs]	114 [52]		123 [56]	

NOTES:

- INSTALLATION SHALL COMPLY WITH ALL APPLICABLE NATIONAL, STATE AND LOCAL CODES.
- REFER TO PRODUCT DOCUMENTATION FOR ADDITIONAL DETAILS PRIOR TO INSTALLATION AND SITE PREPARATION WORK.
- ALL DIMENSIONS ARE IN INCHES [MILLIMETERS]. UNLESS OTHERWISE SPECIFIED ALL DIMENSIONS ARE TO OUTSIDE OF THE CABINET, EXCLUDING HARDWARE, CIRCUIT BREAKER HANDLE ETC.,
- ONLY FRONT ACCESS REQUIRED FOR SERVICE. MINIMUM RECOMMENDED FRONT CLEARANCE IS 40.20 [1020].
- CABLE ENTRY IS FROM TOP OR BOTTOM OF THE UNIT.
- WEIGHT OF THE UNIT - REFER TO THE SPECIFICATION TABLE.
- OPERATING TEMPERATURE: 32°F TO 104°F [0°C TO 40°C].
- COLOR: GRAY (ANSI 49).
- PROTECTION CLASS: NEMA 1.
- Schneider Electric RECOMMENDS ALL CABLES SHALL BE SIZED IN ACCORDANCE WITH ARTICLE 210-19 OF NEC WITH 90°C RATED COPPER WIRE (FEEDER VOLTAGE DROP OF 3%). CONSULT YOUR LICENSED ENGINEER OF RECORDS.
- ALTERNATE COVER PLATE (NOT SHOWN) FOR 250A FRAME BREAKER.

THIS DRAWING AND SPECIFICATIONS HEREIN ARE THE PROPERTY OF SCHNEIDER ELECTRIC AND SHALL NOT BE COPIED, REPRODUCED OR USED IN WHOLE OR IN PART, AS THE BASIS FOR THE MANUFACTURE OR SALE OF ITEMS WITHOUT WRITTEN PERMISSION FROM SCHNEIDER ELECTRIC. THIS DRAWING IS BASED UPON LATEST AVAILABLE INFORMATION AND IS SUBJECT TO CHANGE WITHOUT NOTICE.



TITLE: GUTOR PXC BATTERY MCCB BOX FOR UPS RATING -25kVA TO 100kVA GENERAL ARRANGEMENT

PROJECT: DRAWINGS SHEET 1 OF 3

DWG NO: GUPXCD25K100B

DRAWN BY: K.NAGENDRA 01-JUN-17

ENGINEER: I KENNEDY 01-JUN-17

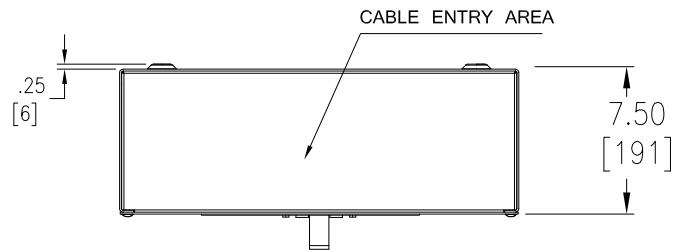
APPROVED BY: W WATKINS 01-JUN-17

REV. 3

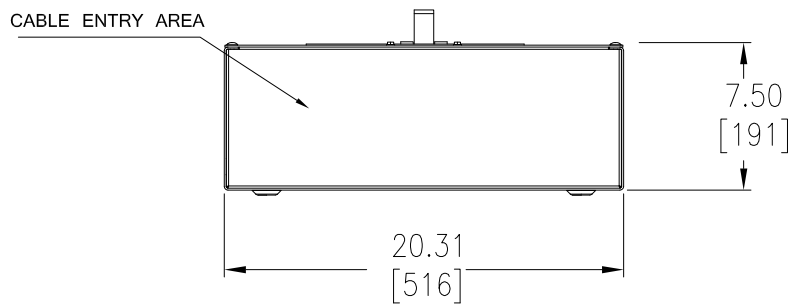
THIRD

ANGLE

PROJECTION

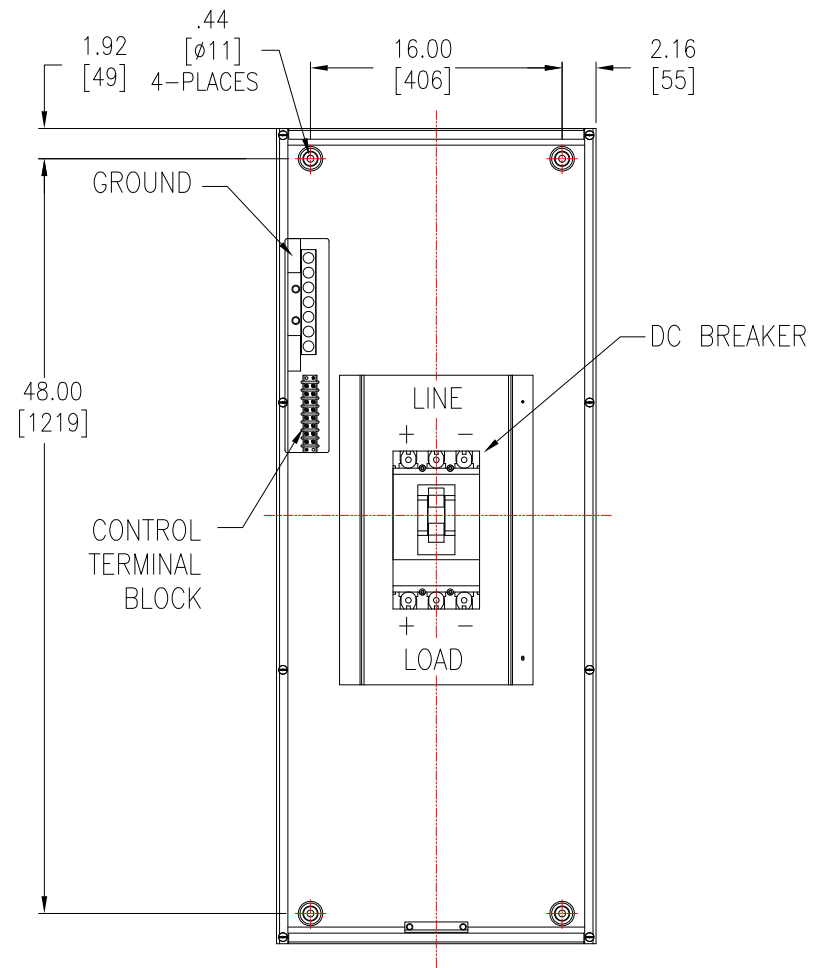


TOP VIEW



BOTTOM VIEW

MOUNTING AND INTERNAL DETAILS



FRONT VIEW
(INTERNAL)

NOTES:

1. INSTALLATION SHALL COMPLY WITH ALL APPLICABLE NATIONAL, STATE AND LOCAL CODES.
2. REFER TO PRODUCT DOCUMENTATION FOR ADDITIONAL DETAILS PRIOR TO INSTALLATION AND SITE PREPARATION WORK.
3. ALL DIMENSIONS ARE IN INCHES [MILLIMETERS].

THIS DRAWING AND SPECIFICATIONS HEREIN ARE THE PROPERTY OF SCHNEIDER ELECTRIC AND SHALL NOT BE COPIED, REPRODUCED OR USED IN WHOLE OR IN PART, AS THE BASIS FOR THE MANUFACTURE OR SALE OF ITEMS WITHOUT WRITTEN PERMISSION FROM SCHNEIDER ELECTRIC. THIS DRAWING IS BASED UPON LATEST AVAILABLE INFORMATION AND IS SUBJECT TO CHANGE WITHOUT NOTICE.



TITLE: GUTOR PXC
BATTERY MCCB BOX
FOR UPS RATING -25kVA TO 100kVA
TOP & BOTTOM VIEW, MOUNTING & INTERNAL DETAILS

PROJECT: DRAWINGS SHEET 2 OF 3

DWG NO: GUPXCD25K100B

DRAWN BY: K.NAGENDRA 01-JUN-17

ENGINEER: I KENNEDY 01-JUN-17

APPROVED BY: W WATKINS 01-JUN-17

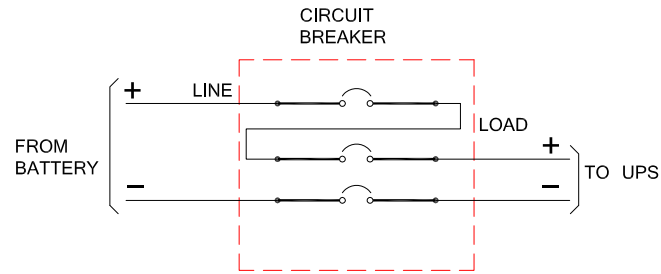
REV. 3

THIRD

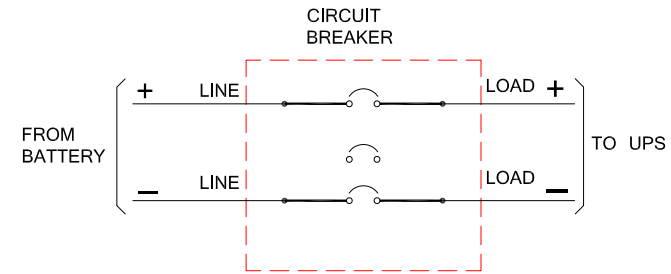
ANGLE

PROJECTION

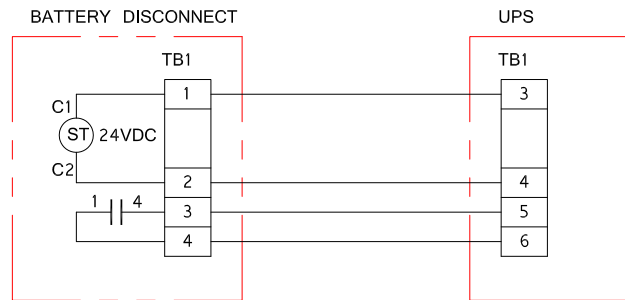
SINGLE LINE DIAGRAM FOR 250A FRAME CIRCUIT BREAKER



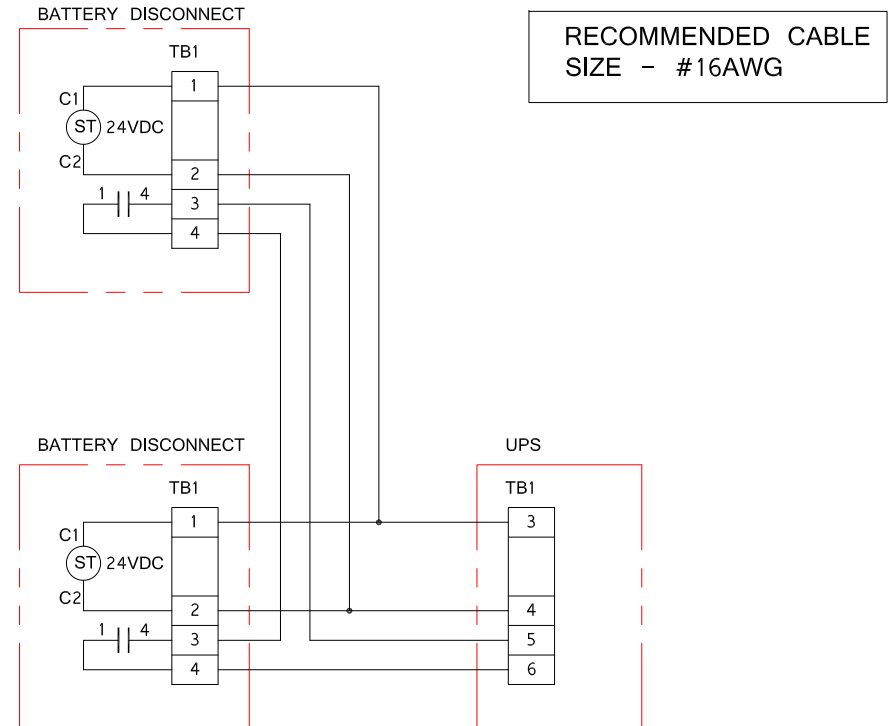
SINGLE LINE DIAGRAM FOR 600A FRAME CIRCUIT BREAKER



CONTROL WIRING DIAGRAM



ONE BATTERY DISCONNECT



RECOMMENDED CABLE
SIZE - #16AWG

TWO BATTERY DISCONNECTS

NOTES:

1. INSTALLATION SHALL COMPLY WITH ALL APPLICABLE NATIONAL, STATE AND LOCAL CODES.
2. REFER TO PRODUCT DOCUMENTATION FOR ADDITIONAL DETAILS PRIOR TO INSTALLATION AND SITE PREPARATION WORK.
3. ALL DIMENSIONS ARE IN INCHES [MILLIMETERS].
4. CONTROL WIRES MUST BE RUN IN INDIVIDUAL CONDUIT SEPARATE FROM POWER WIRES.
5. ALL EXTERNAL WIRING BY CUSTOMER.

THIS DRAWING AND SPECIFICATIONS HEREIN ARE THE PROPERTY OF SCHNEIDER ELECTRIC AND SHALL NOT BE COPIED, REPRODUCED OR USED IN WHOLE OR IN PART, AS THE BASIS FOR THE MANUFACTURE OR SALE OF ITEMS WITHOUT WRITTEN PERMISSION FROM SCHNEIDER ELECTRIC. THIS DRAWING IS BASED UPON LATEST AVAILABLE INFORMATION AND IS SUBJECT TO CHANGE WITHOUT NOTICE.



TITLE: GUTOR PXC
BATTERY MCCB BOX
FOR UPS RATING -25kVA TO 100kVA
WIRING DETAILS

PROJECT: DRAWINGS SHEET 3 OF 3

DWG NO: GUPXCD25K100B REV. 3

DRAWN BY: K.NAGENDRA 01-JUN-17 THIRD

ENGINEER: I KENNEDY 01-JUN-17 ANGLE

APPROVED BY: W WATKINS 01-JUN-17 PROJECTION