

SKU No.	A in [mm]	B in [mm]	WEIGHT lbs[kg]	SIZE	Number of M8 Fasteners
ACFS76087	12 [305]	9.67[246]	105[47.7]	Frame 6	6
ACFS76092	18 [457]	15.67[398]	111[50.5]		
ACFS76097	24 [610]	21.67[550]	117[53.2]		
ACFS76058	36 [914]	33.67[855]	109[49.5]		

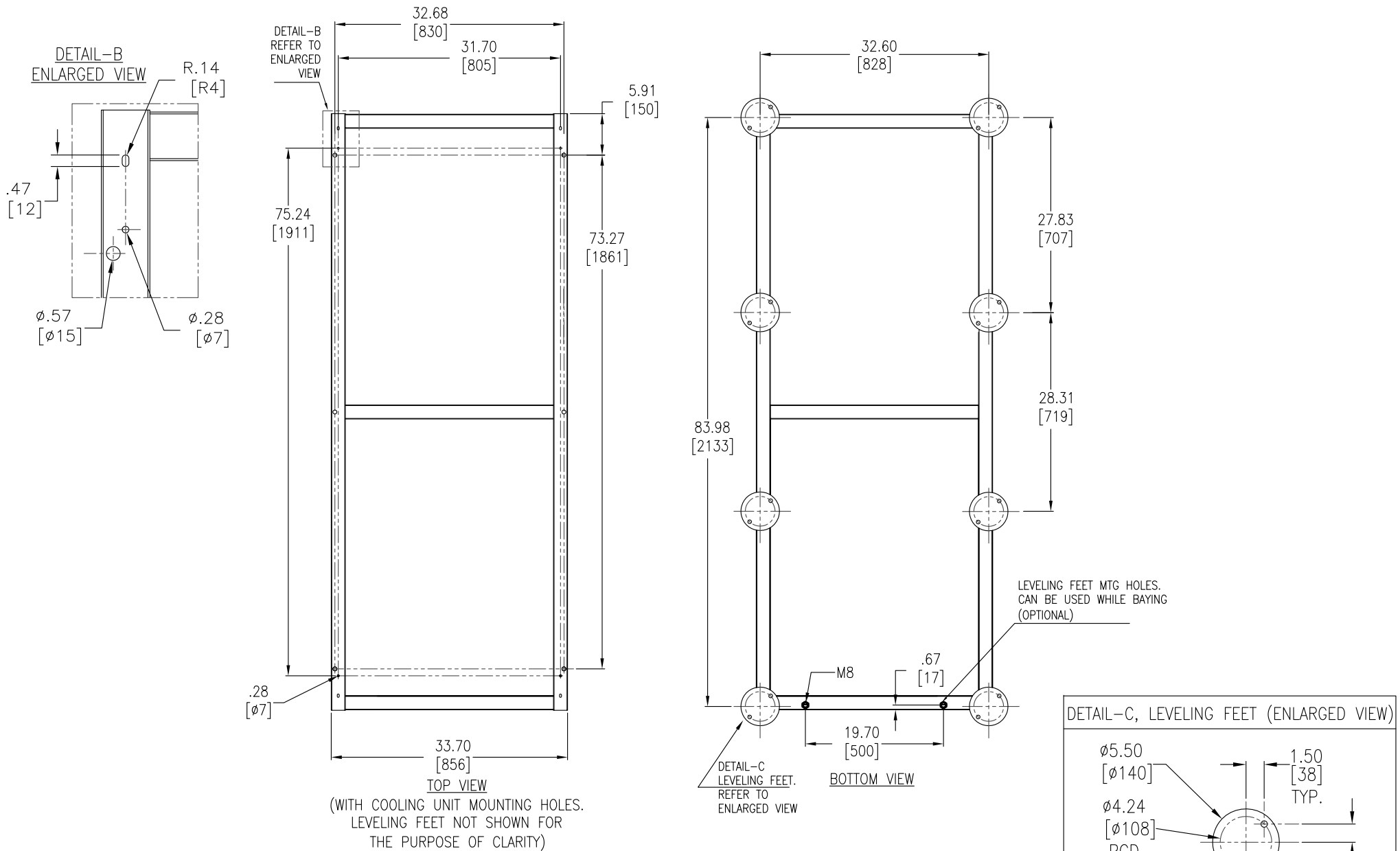
NOTES:
 1. INSTALLATION SHALL COMPLY WITH ALL APPLICABLE NATIONAL, STATE AND LOCAL CODES.
 2. REFER TO PRODUCT MANUALS PRIOR TO INSTALLATION AND SITE PREPARATION WORK FOR FURTHER DETAILS.
 3. ALL DIMENSIONS ARE IN INCHES [MILLIMETERS].

THIS DRAWING AND SPECIFICATIONS HEREIN ARE THE PROPERTY OF SCHNEIDER ELECTRIC AND SHALL NOT BE COPIED, REPRODUCED OR USED IN WHOLE OR IN PART, AS THE BASIS FOR THE MANUFACTURE OR SALE OF ITEMS WITHOUT WRITTEN PERMISSION FROM SCHNEIDER ELECTRIC. THIS DRAWING IS BASED UPON LATEST AVAILABLE INFORMATION AND IS SUBJECT TO CHANGE WITHOUT NOTICE.



TITLE: UNIFLAIR ACCESSORIES FLOORSTAND FRAME SIZE 6 ASSEMBLY
 PROJECT: DRAWINGS SHEET: 1 OF 3

DWG NO: ACFS-FR6 REV. 0
 DRAWN BY: K.NAGENDRA 07-FEB-15 3RD ANGLE PROJ
 ENGINEER: MIKE DONAHUE 07-FEB-15
 APPROVED BY: C.CUMMISKEY/KEN BAER 07-FEB-15



- NOTES:
 1. INSTALLATION SHALL COMPLY WITH ALL APPLICABLE NATIONAL, STATE AND LOCAL CODES.
 2. REFER TO PRODUCT MANUALS PRIOR TO INSTALLATION AND SITE PREPARATION WORK FOR FURTHER DETAILS.
 3. ALL DIMENSIONS ARE IN INCHES [MILLIMETERS].

THIS DRAWING AND SPECIFICATIONS HEREIN ARE THE PROPERTY OF SCHNEIDER ELECTRIC AND SHALL NOT BE COPIED, REPRODUCED OR USED IN WHOLE OR IN PART, AS THE BASIS FOR THE MANUFACTURE OR SALE OF ITEMS WITHOUT WRITTEN PERMISSION FROM SCHNEIDER ELECTRIC. THIS DRAWING IS BASED UPON LATEST AVAILABLE INFORMATION AND IS SUBJECT TO CHANGE WITHOUT NOTICE.

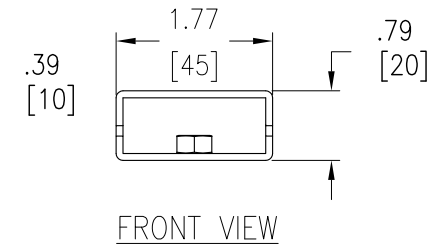
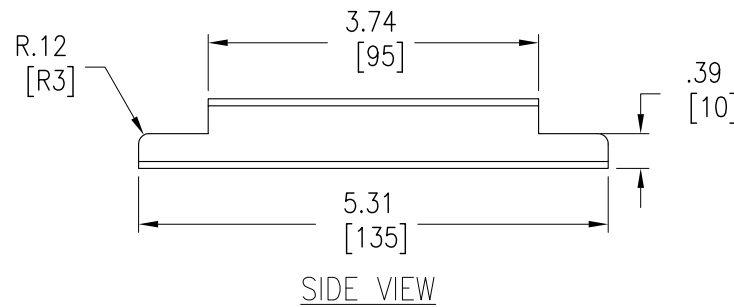
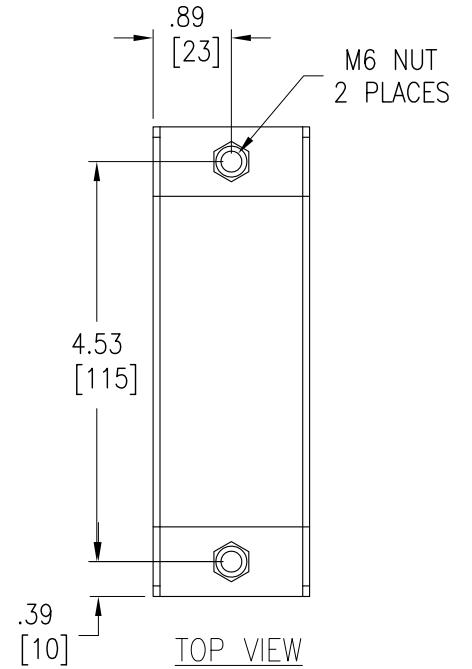
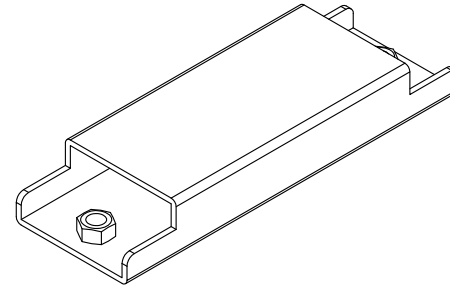
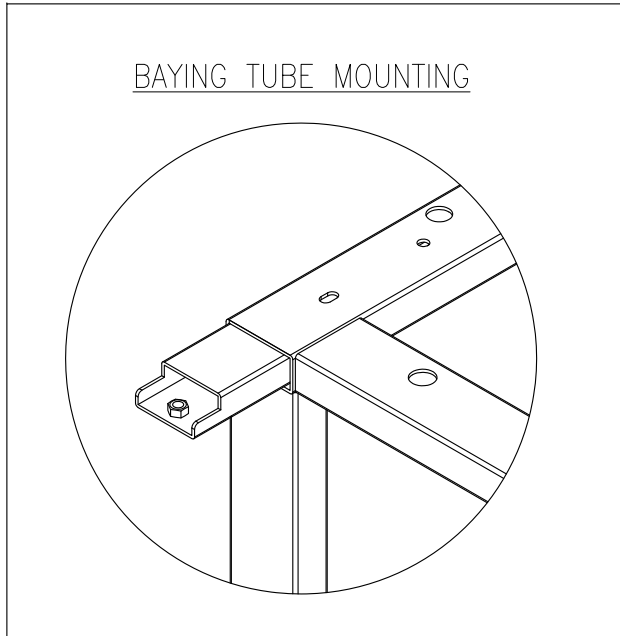


TITLE: UNIFLAIR ACCESSORIES FLOORSTAND FRAME SIZE 6 TOP AND BOTTOM VIEW

PROJECT: DRAWINGS SHEET: 2 OF 3

DWG NO:	ACFS - FR6	REV:	0
DRAWN BY:	K.NAGENDRA	07-FEB-15	3RD ANGLE PROJ
ENGINEER:	MIKE DONAHUE	07-FEB-15	
APPROVED BY:	C.CUMMISKEY/KEN BAER	07-FEB-15	

BAYING TUBE DETAILS



NOTES:

1. INSTALLATION SHALL COMPLY WITH ALL APPLICABLE NATIONAL, STATE AND LOCAL CODES.
2. REFER TO PRODUCT MANUALS PRIOR TO INSTALLATION AND SITE PREPARATION WORK FOR FURTHER DETAILS.
3. ALL DIMENSIONS ARE IN INCHES [MILLIMETERS].

THIS DRAWING AND SPECIFICATIONS HEREIN ARE THE PROPERTY OF SCHNEIDER ELECTRIC AND SHALL NOT BE COPIED, REPRODUCED OR USED IN WHOLE OR IN PART, AS THE BASIS FOR THE MANUFACTURE OR SALE OF ITEMS WITHOUT WRITTEN PERMISSION FROM SCHNEIDER ELECTRIC. THIS DRAWING IS BASED UPON LATEST AVAILABLE INFORMATION AND IS SUBJECT TO CHANGE WITHOUT NOTICE.



TITLE: UNIFLAIR ACCESSORIES
FLOORSTAND
FRAME SIZE 6
BAYING TUBE

PROJECT: DRAWINGS SHEET: 3 OF 3

DWG NO: ACFS-FR6

DRAWN BY: K.NAGENDRA	07-FEB-15	REV. 0
ENGINEER: MIKE DONAHUE	07-FEB-15	3RD ANGLE PROJ
APPROVED BY: C.CUMMISKEY/KEN BAER	07-FEB-15	