

SKU No.	A in [mm]	B in [mm]	WEIGHT lbs[kg]	SIZE	Number of M8 Fasteners
ACFS76085	12 [305]	9.67 [246]	77 [35]	Frame 4	4
ACFS76090	18 [457]	15.67 [398]	82 [37.3]		
ACFS76095	24 [610]	21.67 [550]	87 [39.5]		
ACFS76056	36 [914]	33.67 [855]	80 [36.4]		

NOTES:

1. INSTALLATION SHALL COMPLY WITH ALL APPLICABLE NATIONAL, STATE AND LOCAL CODES.
2. REFER TO PRODUCT MANUALS PRIOR TO INSTALLATION AND SITE PREPARATION WORK FOR FURTHER DETAILS.
3. ALL DIMENSIONS ARE IN INCHES [MILLIMETERS].

THIS DRAWING AND SPECIFICATIONS HEREIN ARE THE PROPERTY OF SCHNEIDER ELECTRIC AND SHALL NOT BE COPIED, REPRODUCED OR USED IN WHOLE OR IN PART, AS THE BASIS FOR THE MANUFACTURE OR SALE OF ITEMS WITHOUT WRITTEN PERMISSION FROM SCHNEIDER ELECTRIC. THIS DRAWING IS BASED UPON LATEST AVAILABLE INFORMATION AND IS SUBJECT TO CHANGE WITHOUT NOTICE.



TITLE: UNIFLAIR ACCESSORIES FLOORSTAND FRAME SIZE 4 ASSEMBLY

PROJECT: DRAWINGS SHEET: 1 OF 3

DWG NO: ACFS-FR4

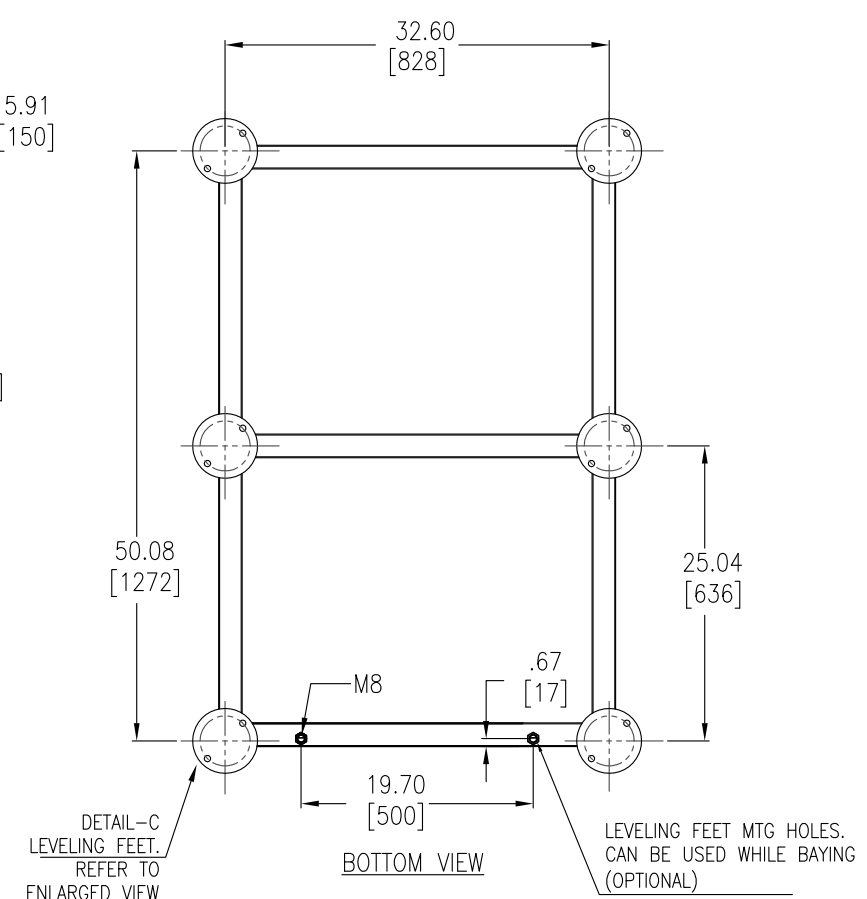
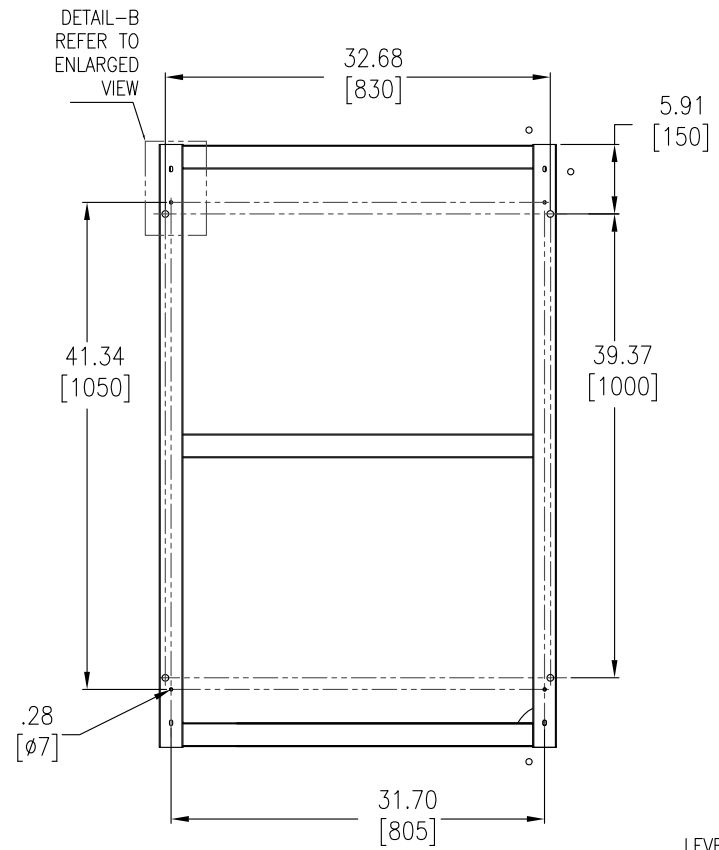
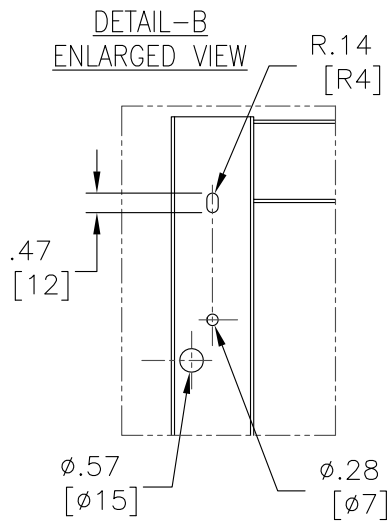
DRAWN BY: K.NAGENDRA 07-FEB-15

ENGINEER: MIKE DONAHUE 07-FEB-15

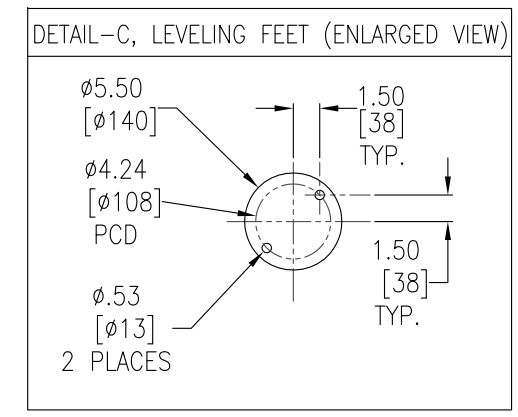
APPROVED BY: C.CUMMISKEY/KEN BAER 07-FEB-15

REV. 0

3RD ANGLE PROJ



TOP VIEW
(WITH COOLING UNIT MOUNTING HOLES.
LEVELING FEET NOT SHOWN FOR
THE PURPOSE OF CLARITY)



- NOTES:
1. INSTALLATION SHALL COMPLY WITH ALL APPLICABLE NATIONAL, STATE AND LOCAL CODES.
 2. REFER TO PRODUCT MANUALS PRIOR TO INSTALLATION AND SITE PREPARATION WORK FOR FURTHER DETAILS.
 3. ALL DIMENSIONS ARE IN INCHES [MILLIMETERS].

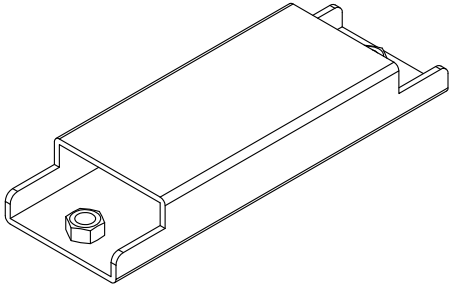
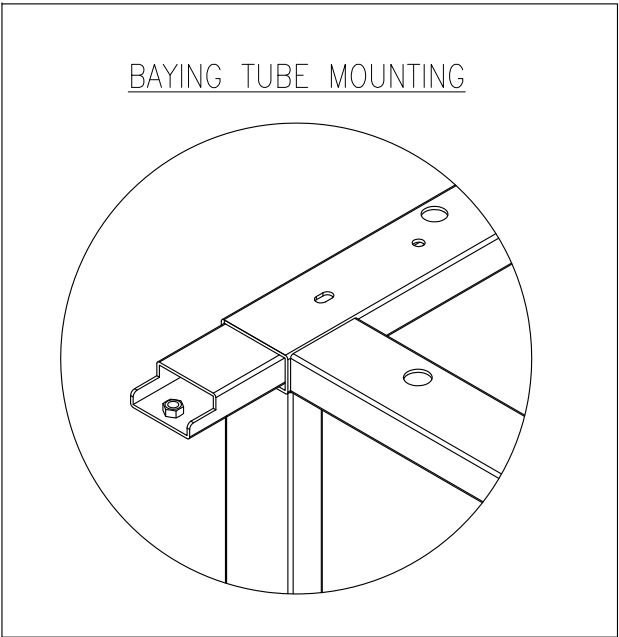
THIS DRAWING AND SPECIFICATIONS HEREIN ARE THE PROPERTY OF SCHNEIDER ELECTRIC AND SHALL NOT BE COPIED, REPRODUCED OR USED IN WHOLE OR IN PART, AS THE BASIS FOR THE MANUFACTURE OR SALE OF ITEMS WITHOUT WRITTEN PERMISSION FROM SCHNEIDER ELECTRIC. THIS DRAWING IS BASED UPON LATEST AVAILABLE INFORMATION AND IS SUBJECT TO CHANGE WITHOUT NOTICE.



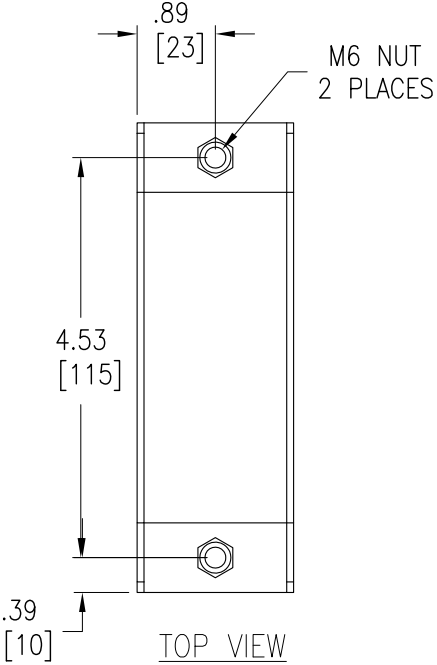
TITLE: UNIFLAI R ACCESSORIES FLOORSTAND FRAME SIZE 4 TOP AND BOTTOM VIEW
PROJECT: DRAWINGS SHEET: 2 OF 3

DWG NO:	ACFS - FR4	REV.	0
DRAWN BY:	K.NAGENDRA	07-FEB-15	3RD ANGLE PROJ
ENGINEER:	MIKE DONAHUE	07-FEB-15	
APPROVED BY:	C.CUMMISKEY/KEN BAER	07-FEB-15	

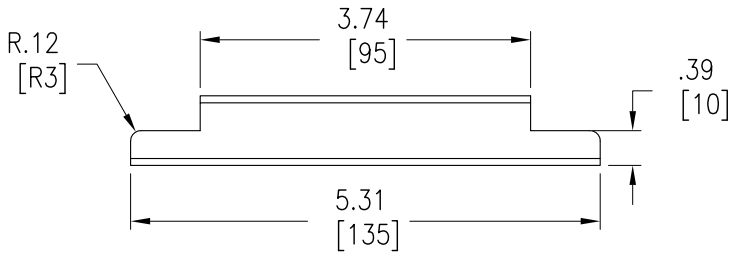
BAYING TUBE DETAILS



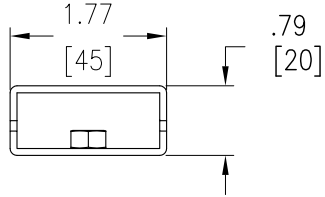
ISOMETRIC VIEW



TOP VIEW



SIDE VIEW



FRONT VIEW

- NOTES:
1. INSTALLATION SHALL COMPLY WITH ALL APPLICABLE NATIONAL, STATE AND LOCAL CODES.
 2. REFER TO PRODUCT MANUALS PRIOR TO INSTALLATION AND SITE PREPARATION WORK FOR FURTHER DETAILS.
 3. ALL DIMENSIONS ARE IN INCHES [MILLIMETERS].

THIS DRAWING AND SPECIFICATIONS HEREIN ARE THE PROPERTY OF SCHNEIDER ELECTRIC AND SHALL NOT BE COPIED, REPRODUCED OR USED IN WHOLE OR IN PART, AS THE BASIS FOR THE MANUFACTURE OR SALE OF ITEMS WITHOUT WRITTEN PERMISSION FROM SCHNEIDER ELECTRIC. THIS DRAWING IS BASED UPON LATEST AVAILABLE INFORMATION AND IS SUBJECT TO CHANGE WITHOUT NOTICE.



TITLE: UNIFLAIR ACCESSORIES FLOORSTAND FRAME SIZE 4 BAYING TUBE
 PROJECT: DRAWINGS SHEET: 3 OF 3

DWG NO: ACFS - FR4
 DRAWN BY: K.NAGENDRA 07-FEB-15
 ENGINEER: MIKE DONAHUE 07-FEB-15
 APPROVED BY: C.CUMMISKEY/KEN BAER 07-FEB-15

REV. 0
 3RD ANGLE PROJ