

SKU No.	A in [mm]	B in [mm]	WEIGHT lbs[kg]	SIZE	Number of M8 Fasteners
ACFS76084	12 [305]	9.67[246]	54[24.5]	Frame 3	4
ACFS76089	18 [457]	15.67[398]	58[26.4]		
ACFS76094	24 [610]	21.67[550]	61[27.7]		
ACFS76055	36 [914]	33.67[855]	57[25.9]		

- NOTES:
1. INSTALLATION SHALL COMPLY WITH ALL APPLICABLE NATIONAL, STATE AND LOCAL CODES.
 2. REFER TO PRODUCT MANUALS PRIOR TO INSTALLATION AND SITE PREPARATION WORK FOR FURTHER DETAILS.
 3. ALL DIMENSIONS ARE IN INCHES [MILLIMETERS].

THIS DRAWING AND SPECIFICATIONS HEREIN ARE THE PROPERTY OF SCHNEIDER ELECTRIC AND SHALL NOT BE COPIED, REPRODUCED OR USED IN WHOLE OR IN PART, AS THE BASIS FOR THE MANUFACTURE OR SALE OF ITEMS WITHOUT WRITTEN PERMISSION FROM SCHNEIDER ELECTRIC. THIS DRAWING IS BASED UPON LATEST AVAILABLE INFORMATION AND IS SUBJECT TO CHANGE WITHOUT NOTICE.

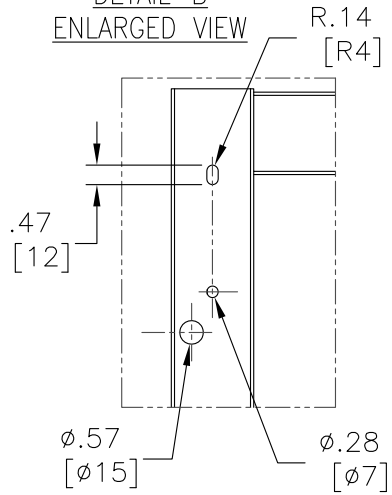


TITLE: UNIFLAIR ACCESSORIES FLOORSTAND FRAME SIZE 3 ASSEMBLY

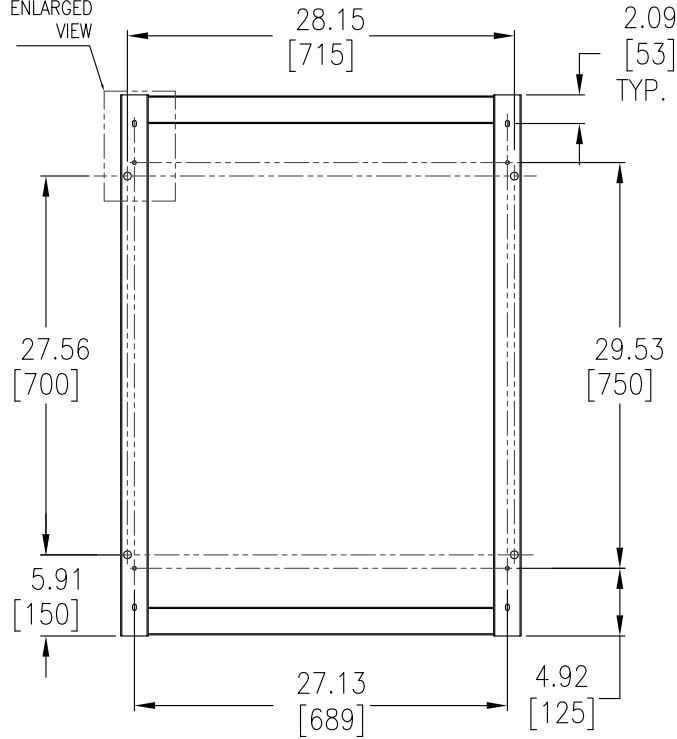
PROJECT: DRAWINGS SHEET: 1 OF 3

DWG NO:	REV:
ACFS-FR3	0
DRAWN BY: K.NAGENDRA	07-FEB-15
ENGINEER: MIKE DONAHUE	07-FEB-15
APPROVED BY: C.CUMMISKEY/KEN BAER	07-FEB-15
	3RD ANGLE PROJ

DETAIL-B
ENLARGED VIEW

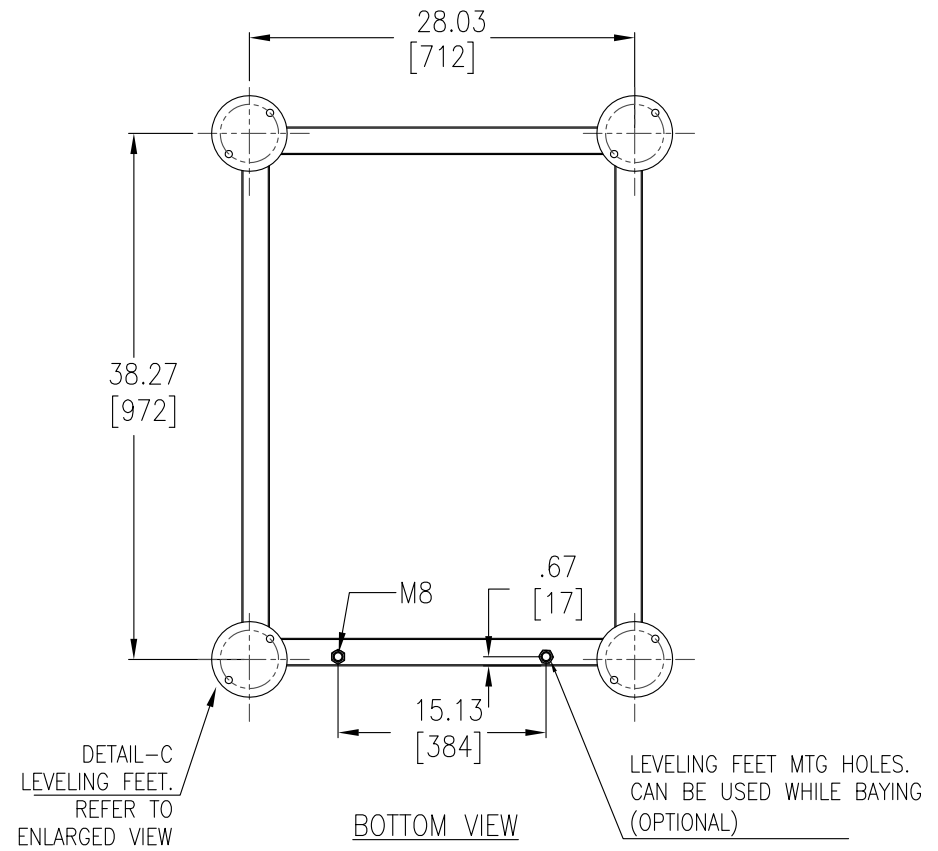


DETAIL-B
REFER TO
ENLARGED
VIEW



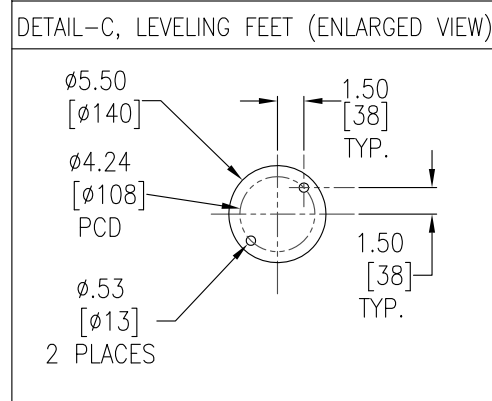
TOP VIEW

(WITH COOLING UNIT MOUNTING HOLES.
LEVELING FEET NOT SHOWN FOR
THE PURPOSE OF CLARITY)



DETAIL-C
LEVELING FEET.
REFER TO
ENLARGED VIEW

BOTTOM VIEW



NOTES:

1. INSTALLATION SHALL COMPLY WITH ALL APPLICABLE NATIONAL, STATE AND LOCAL CODES.
2. REFER TO PRODUCT MANUALS PRIOR TO INSTALLATION AND SITE PREPARATION WORK FOR FURTHER DETAILS.
3. ALL DIMENSIONS ARE IN INCHES [MILLIMETERS].

THIS DRAWING AND SPECIFICATIONS HEREIN ARE THE PROPERTY OF SCHNEIDER ELECTRIC AND SHALL NOT BE COPIED, REPRODUCED OR USED IN WHOLE OR IN PART, AS THE BASIS FOR THE MANUFACTURE OR SALE OF ITEMS WITHOUT WRITTEN PERMISSION FROM SCHNEIDER ELECTRIC. THIS DRAWING IS BASED UPON LATEST AVAILABLE INFORMATION AND IS SUBJECT TO CHANGE WITHOUT NOTICE.

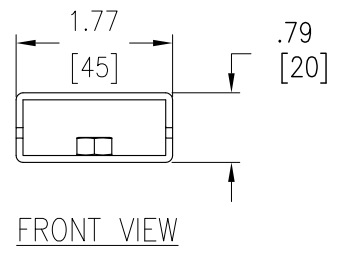
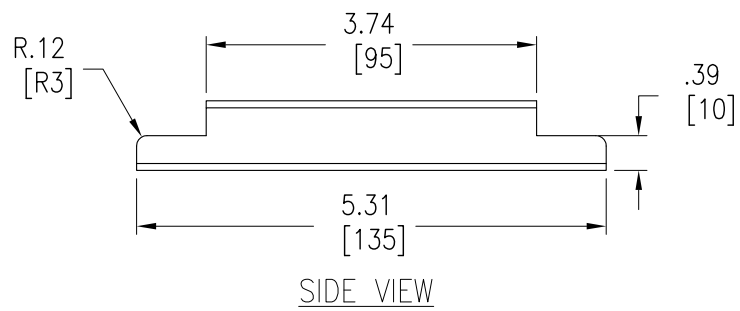
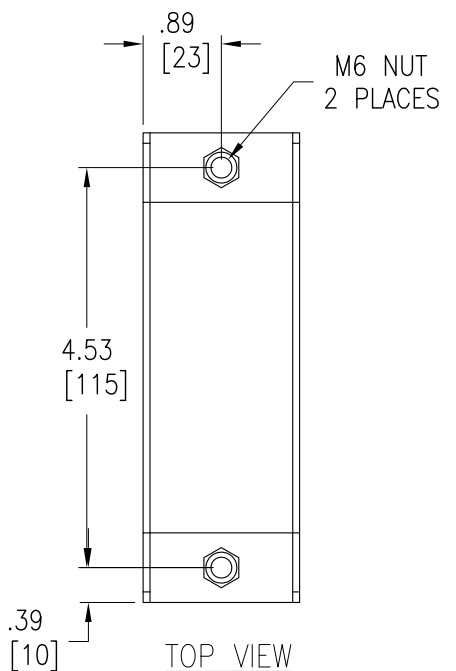
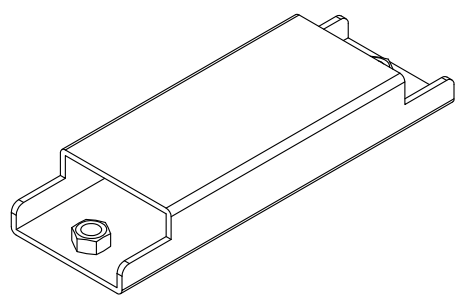
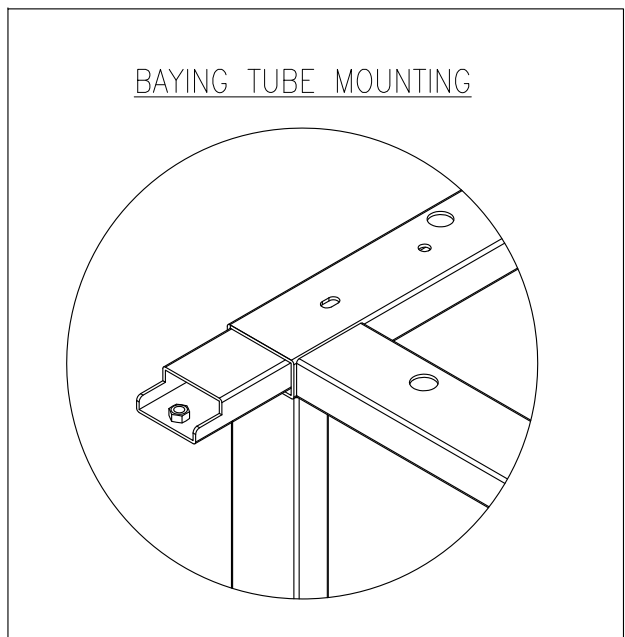


TITLE: UNIFLAIR ACCESSORIES
FLOORSTAND
FRAME SIZE 3
TOP AND BOTTOM VIEW

PROJECT: DRAWINGS SHEET: 2 OF 3

DWG NO:	ACFS - FR3	REV:	0
DRAWN BY:	K.NAGENDRA	07-FEB-15	3RD
ENGINEER:	MIKE DONAHUE	07-FEB-15	ANGLE
APPROVED BY:	C.CUMMISKEY/KEN BAER	07-FEB-15	PROJ

BAYING TUBE DETAILS



NOTES:

1. INSTALLATION SHALL COMPLY WITH ALL APPLICABLE NATIONAL, STATE AND LOCAL CODES.
2. REFER TO PRODUCT MANUALS PRIOR TO INSTALLATION AND SITE PREPARATION WORK FOR FURTHER DETAILS.
3. ALL DIMENSIONS ARE IN INCHES [MILLIMETERS].

THIS DRAWING AND SPECIFICATIONS HEREIN ARE THE PROPERTY OF SCHNEIDER ELECTRIC AND SHALL NOT BE COPIED, REPRODUCED OR USED IN WHOLE OR IN PART, AS THE BASIS FOR THE MANUFACTURE OR SALE OF ITEMS WITHOUT WRITTEN PERMISSION FROM SCHNEIDER ELECTRIC. THIS DRAWING IS BASED UPON LATEST AVAILABLE INFORMATION AND IS SUBJECT TO CHANGE WITHOUT NOTICE.



TITLE: UNIFLAIR ACCESSORIES
FLOORSTAND
FRAME SIZE 3
BAYING TUBE

PROJECT: DRAWINGS SHEET: 3 OF 3

DWG NO: ACFS-FR3

DRAWN BY: K.NAGENDRA	07-FEB-15
ENGINEER: MIKE DONAHUE	07-FEB-15
APPROVED BY: C.CUMMISKEY/KEN BAER	07-FEB-15

REV. 0
3RD ANGLE PROJ