

NOTES:

1. COMPLY WITH ALL APPLICABLE NATIONAL, STATE AND LOCAL CODES.
2. REFER TO PRODUCT MANUALS PRIOR TO INSTALLATION AND SITE PREPARATION WORK FOR FURTHER DETAILS.
ONLY TRAINED ELECTRICIAN MUST PERFORM WORK ON THIS EQUIPMENT.
3. ALL DIMENSIONS ARE IN INCHES [MILLIMETERS].
4. WEIGHT OF THE UNIT IS 23.0lbs [10.45kg].
5. TURN OFF POWER TO BUSWAY BEFORE INSTALLING, REMOVING, OR WORKING ON THIS EQUIPMENT.
6. DO NOT INSTALL VERTICALLY, POWERBUS IS NOT SUITABLE FOR VERTICAL MOUNTING.
7. PROVIDE SUFFICIENT HORIZONTAL AND VERTICAL CLEARANCE FROM WALLS AND CEILINGS TO PROVIDE EASY ACCESS TO JOINTS AND SUFFICIENT ROOM FOR TAP OFF UNIT INSTALLATION.
8. ENSURE THAT ALL JOINT CONTACT SURFACES ARE FREE OF CONTAMINANTS.
9. VERIFY THAT THE SYSTEM PHASING MATCHES THE BUSWAY PHASING.

PBP4A31IEC20/PBP4A31IEC20

PBPEDU4A100CEGS3320T/PBPEDU4A100CEGS3330T

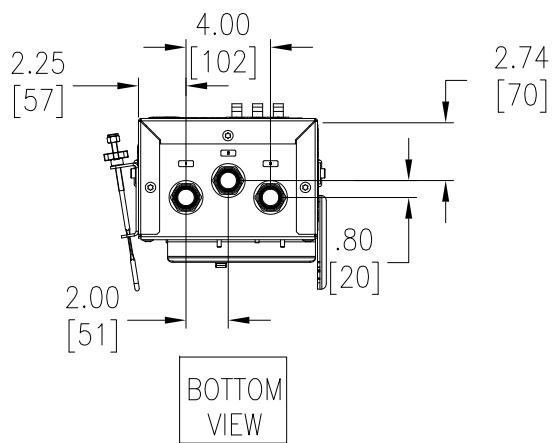
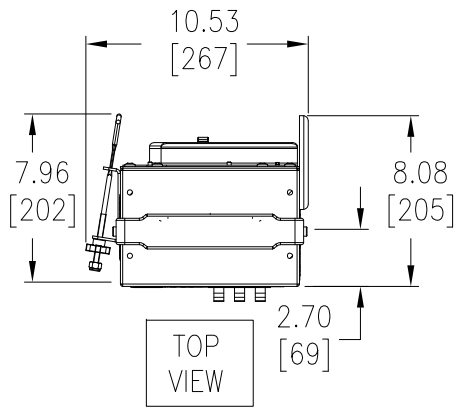
THIS DRAWING AND SPECIFICATIONS HEREIN ARE THE PROPERTY OF SCHNEIDER ELECTRIC AND SHALL NOT BE COPIED, REPRODUCED OR USED IN WHOLE OR IN PART, AS THE BASIS FOR THE MANUFACTURE OR SALE OF ITEMS WITHOUT WRITTEN PERMISSION FROM SCHNEIDER ELECTRIC. THIS DRAWING IS BASED UPON LATEST AVAILABLE INFORMATION AND IS SUBJECT TO CHANGE WITHOUT NOTICE.

Schneider Electric

TITLE: iBusway for Data Center System
TAP OFF UNIT
EDB, 3x1 POLE, 3-WIRE, 20A/30A
3-DROP CORD, 3ft, 5ft & 7ft, S3320/S3330
MAIN MECHANICAL-1
PROJECT: DRAWINGS SHEET 1 OF 2

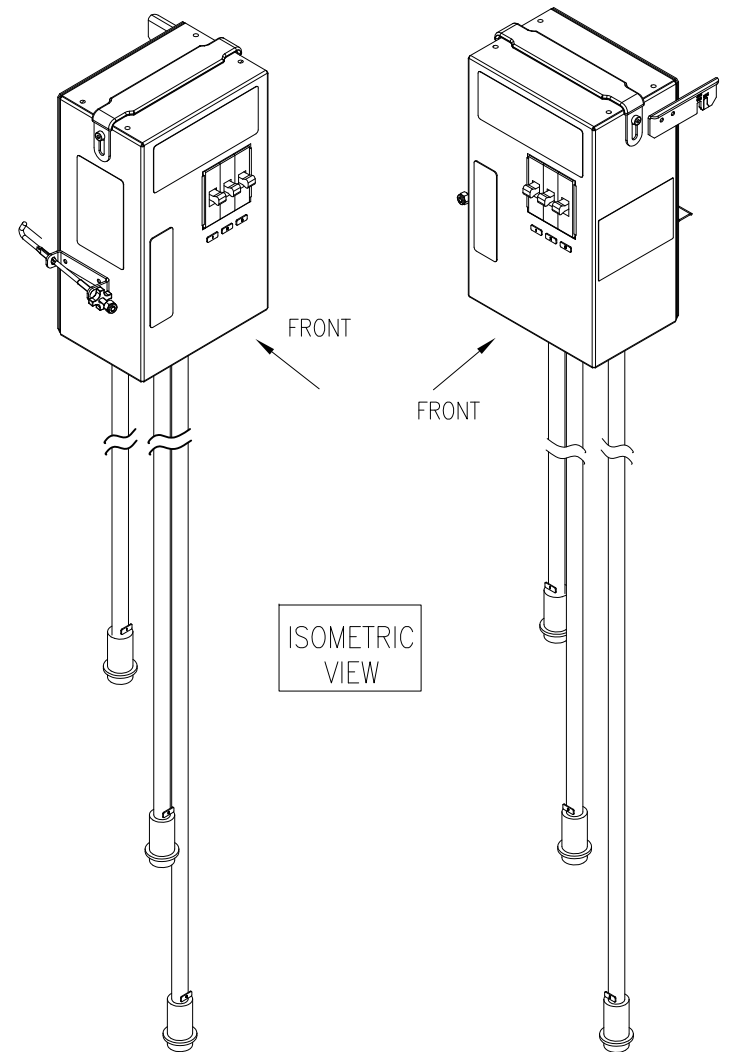
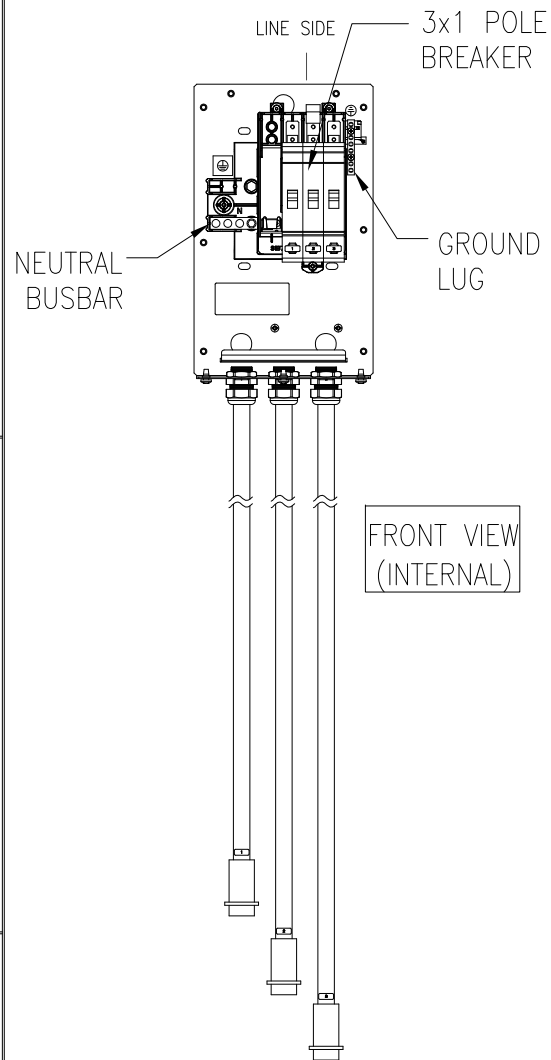
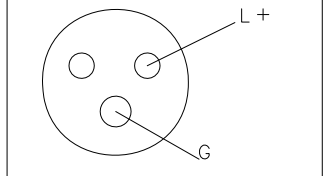
DWG NO: PBPEDU4A100CEGS33
DRAWN BY: K.NAGENDRA 10-OCT-14
ENGINEER: NARAYAN Nr 10-OCT-14
APPROVED BY: AL WARNER 10-OCT-14

REV. 0
THIRD ANGLE PROJECTION



CONNECTOR TYPE
(ANY ONE OF THE FOLLOWING TYPE CONNECTOR
WILL BE SUPPLIED AS PER SKU)

IEC 309 20/30A
(S3320/S3330) CONNECTORS



NOTES:

1. COMPLY WITH ALL APPLICABLE NATIONAL, STATE AND LOCAL CODES.
2. REFER TO PRODUCT MANUALS PRIOR TO INSTALLATION AND SITE PREPARATION WORK FOR FURTHER DETAILS.
3. ALL DIMENSIONS ARE IN INCHES [MILLIMETERS].

THIS DRAWING AND SPECIFICATIONS HEREIN ARE THE PROPERTY OF SCHNEIDER ELECTRIC AND SHALL NOT BE COPIED, REPRODUCED OR USED IN WHOLE OR IN PART, AS THE BASIS FOR THE MANUFACTURE OR SALE OF ITEMS WITHOUT WRITTEN PERMISSION FROM SCHNEIDER ELECTRIC. THIS DRAWING IS BASED UPON LATEST AVAILABLE INFORMATION AND IS SUBJECT TO CHANGE WITHOUT NOTICE.



TITLE: iBusway for Data Center System
TAP OFF UNIT
EDB, 3x1 POLE, 3-WIRE, 20A/30A
3-DROP CORD, 3ft, 5ft & 7ft, S3320/S3330
MAIN MECHANICAL-2
PROJECT: DRAWINGS SHEET 2 OF 2

DWG NO: PBPEDU4A100CEGS33
DRAWN BY: K.NAGENDRA 10-OCT-14
ENGINEER: NARAYAN Nr 10-OCT-14
APPROVED BY: AL WARNER 10-OCT-14

REV. 0
THIRD ANGLE PROJECTION