

NOTES:

1. COMPLY WITH ALL APPLICABLE NATIONAL, STATE AND LOCAL CODES.
2. REFER TO PRODUCT MANUALS PRIOR TO INSTALLATION AND SITE PREPARATION WORK FOR FURTHER DETAILS.
ONLY TRAINED ELECTRICIAN MUST PERFORM WORK ON THIS EQUIPMENT.
3. ALL DIMENSIONS ARE IN INCHES [MILLIMETERS].
4. WEIGHT OF THE UNIT IS 18.0lbs [8.18kg].
5. TURN OFF POWER TO BUSWAY BEFORE INSTALLING, REMOVING, OR WORKING ON THIS EQUIPMENT.
6. DO NOT INSTALL VERTICALLY, POWERBUS IS NOT SUITABLE FOR VERTICAL MOUNTING.
7. PROVIDE SUFFICIENT HORIZONTAL AND VERTICAL CLEARANCE FROM WALLS AND CEILINGS TO PROVIDE EASY ACCESS TO JOINTS AND SUFFICIENT ROOM FOR TAP OFF UNIT INSTALLATION.
8. ENSURE THAT ALL JOINT CONTACT SURFACES ARE FREE OF CONTAMINANTS.
9. VERIFY THAT THE SYSTEM PHASING MATCHES THE BUSWAY PHASING.

PBP4A12L620CAM1/PBP4A12L630CAM1

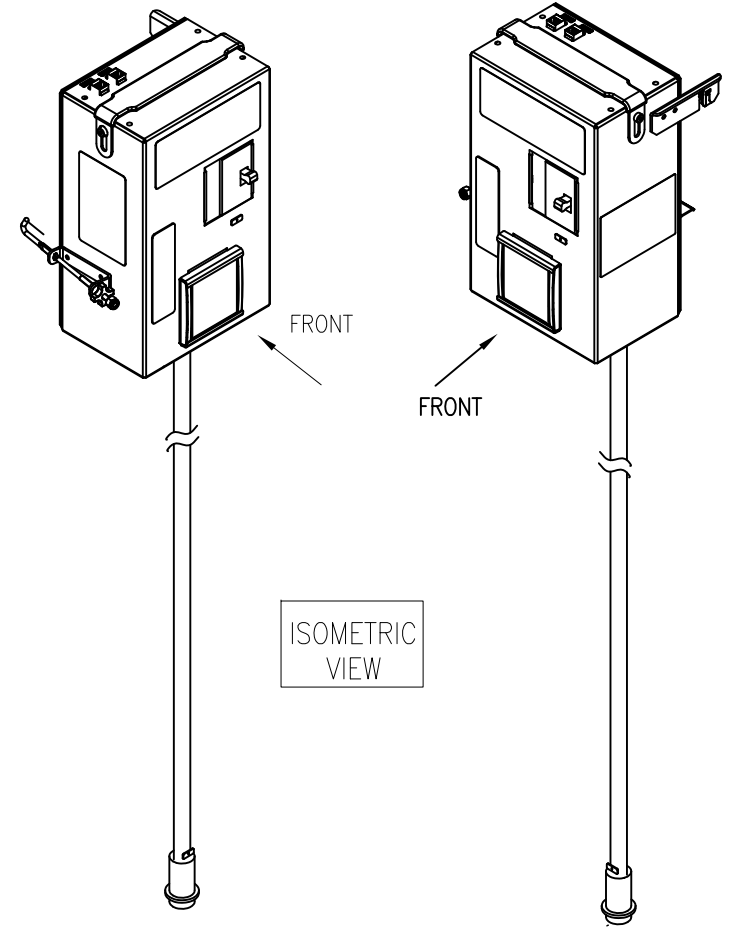
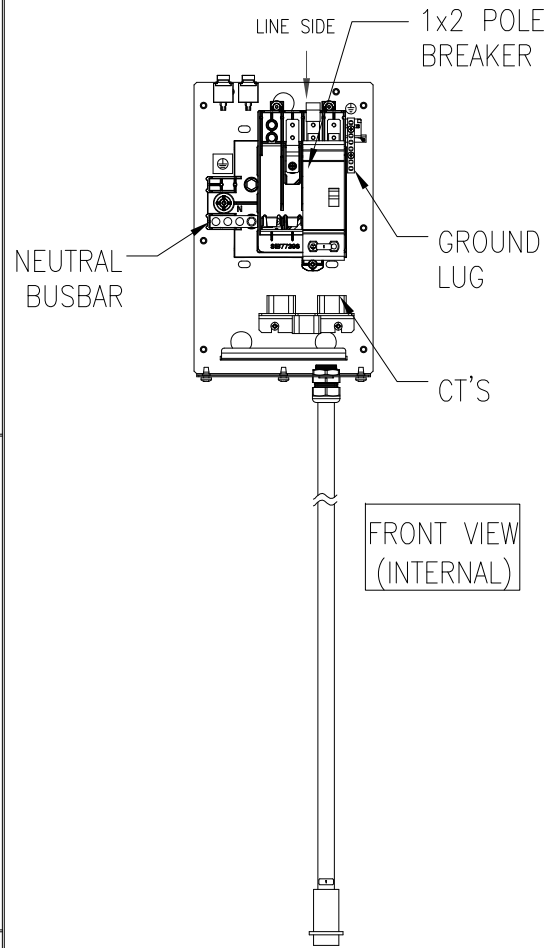
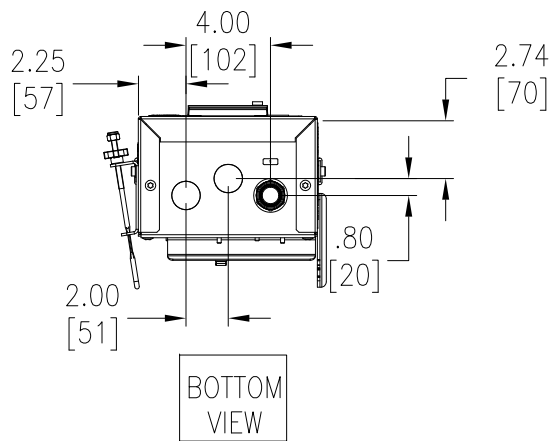
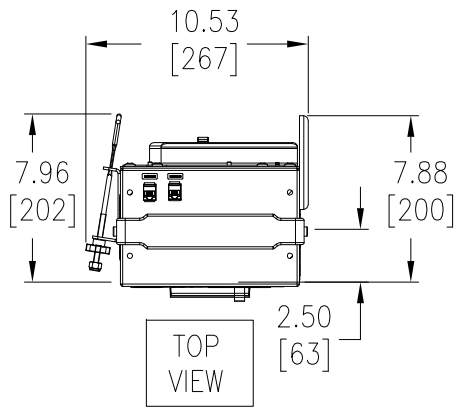
PBPEDU4A1000OCL620M1T/PBPEDU4A1000OCL630M1T

THIS DRAWING AND SPECIFICATIONS HEREIN ARE THE PROPERTY OF SCHNEIDER ELECTRIC AND SHALL NOT BE COPIED, REPRODUCED OR USED IN WHOLE OR IN PART, AS THE BASIS FOR THE MANUFACTURE OR SALE OF ITEMS WITHOUT WRITTEN PERMISSION FROM SCHNEIDER ELECTRIC. THIS DRAWING IS BASED UPON LATEST AVAILABLE INFORMATION AND IS SUBJECT TO CHANGE WITHOUT NOTICE.

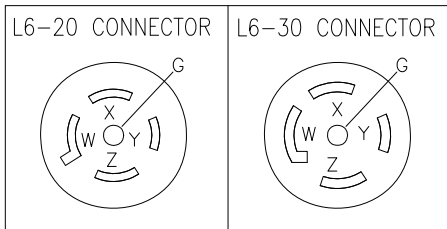


TITLE: iBusway for Data Center System
TAP OFF UNIT WITH METERING
EDB, 1x2 POLE, 3-WIRE, 20A/30A
1-DROP CORD, 3ft, L6-20/L6-30
MAIN MECHANICAL-1

DWG NO:	PBPEDU4A1000OCL6M1T	REV:	0
DRAWN BY:	K.NAGENDRA	14-AUG-14	THIRD ANGLE PROJECTION
ENGINEER:	NARAYAN Nr	14-AUG-14	
APPROVED BY:	AL WARNER	14-AUG-14	



CONNECTOR TYPE
(ANY ONE OF THE FOLLOWING TYPE CONNECTOR
WILL BE SUPPLIED AS PER SKU)



NOTES:

1. COMPLY WITH ALL APPLICABLE NATIONAL, STATE AND LOCAL CODES.
2. REFER TO PRODUCT MANUALS PRIOR TO INSTALLATION AND SITE PREPARATION WORK FOR FURTHER DETAILS.
3. ALL DIMENSIONS ARE IN INCHES [MILLIMETERS].

THIS DRAWING AND SPECIFICATIONS HEREIN ARE THE PROPERTY OF SCHNEIDER ELECTRIC AND SHALL NOT BE COPIED, REPRODUCED OR USED IN WHOLE OR IN PART, AS THE BASIS FOR THE MANUFACTURE OR SALE OF ITEMS WITHOUT WRITTEN PERMISSION FROM SCHNEIDER ELECTRIC. THIS DRAWING IS BASED UPON LATEST AVAILABLE INFORMATION AND IS SUBJECT TO CHANGE WITHOUT NOTICE.

Schneider Electric

TITLE: iBusway for Data Center System
TAP OFF UNIT WITH METERING
EDB, 1x2 POLE, 3-WIRE, 20A/30A
1-DROP CORD, 3ft, L6-20/L6-30
MAIN MECHANICAL-2

DWG NO: PBPEDU4A10000CL6M1T

REV. 0

DRAWN BY: K.NAGENDRA 14-AUG-14

THIRD ANGLE

ENGINEER: NARAYAN Nr 14-AUG-14

PROJECTION

PROJECT: DRAWINGS SHEET 2 OF 2

APPROVED BY: AL WARNER 14-AUG-14