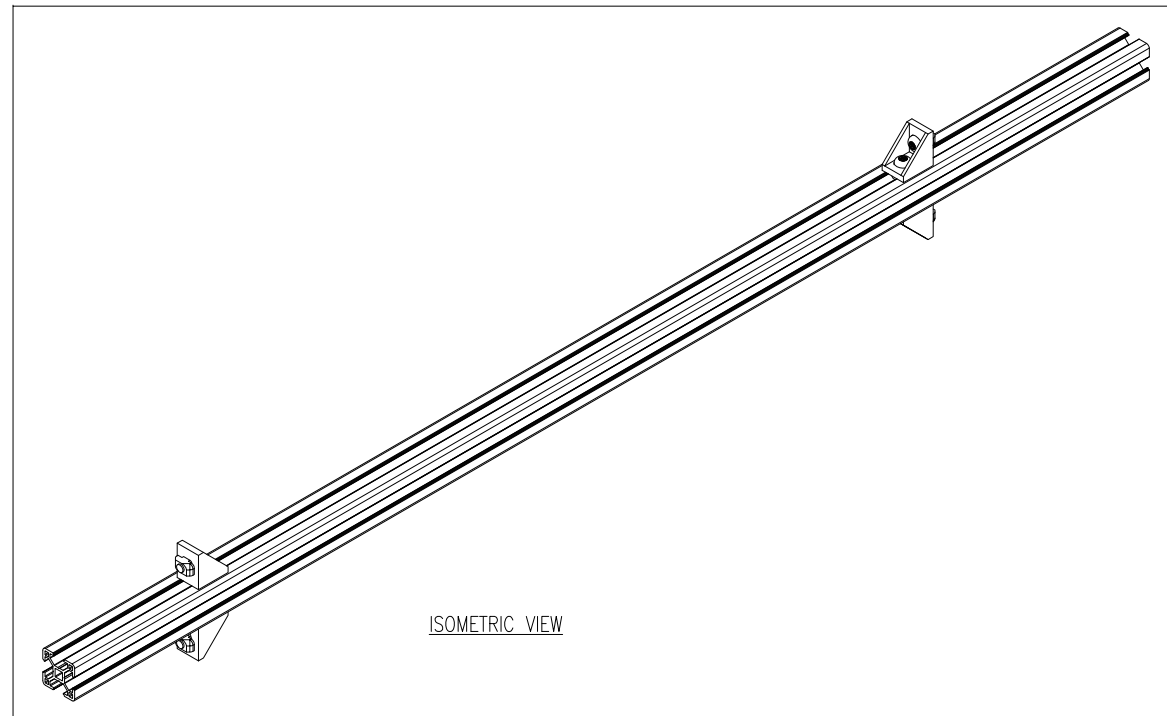
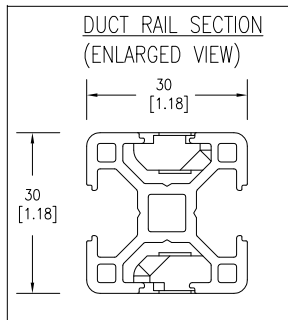
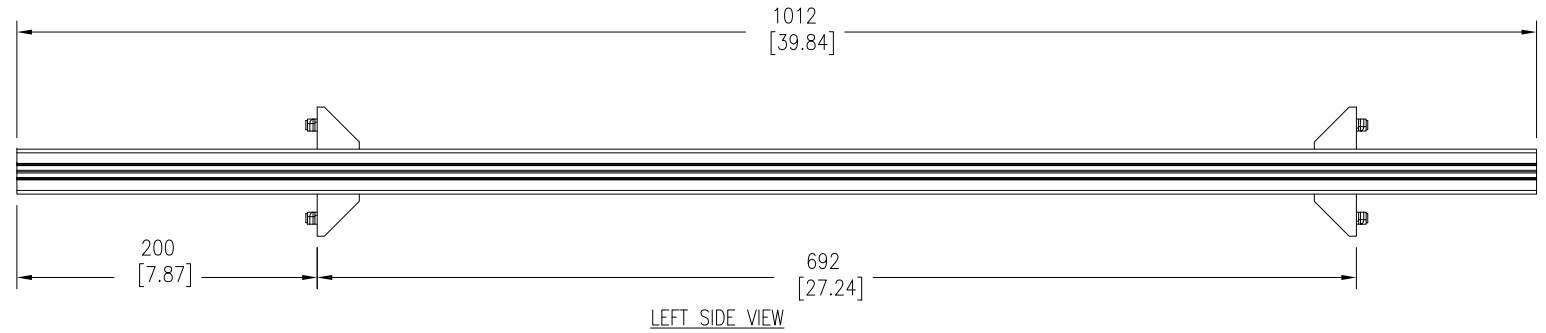
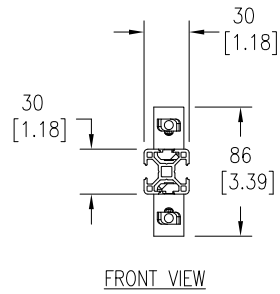


DUCT RAIL WITH ANGLE CONNECTOR-1012mm

ACDC2300-2301



NOTES:

1. COMPLY WITH ALL APPLICABLE NATIONAL AND LOCAL ELECTRICAL REGULATIONS.
2. REFER TO PRODUCT DOCUMENTATION FOR ADDITIONAL DETAILS PRIOR TO INSTALLATION AND SITE PREPARATION WORK.
3. ALL DIMENSIONS ARE IN MILLIMETERS [INCHES].
4. NET WEIGHT - ACDC2300 (ALL INCLUDED) IS 27.67kg [60.88lbs]
ACDC2301 (ONLY EXPANSION) IS 2.90kg [6.39lbs]

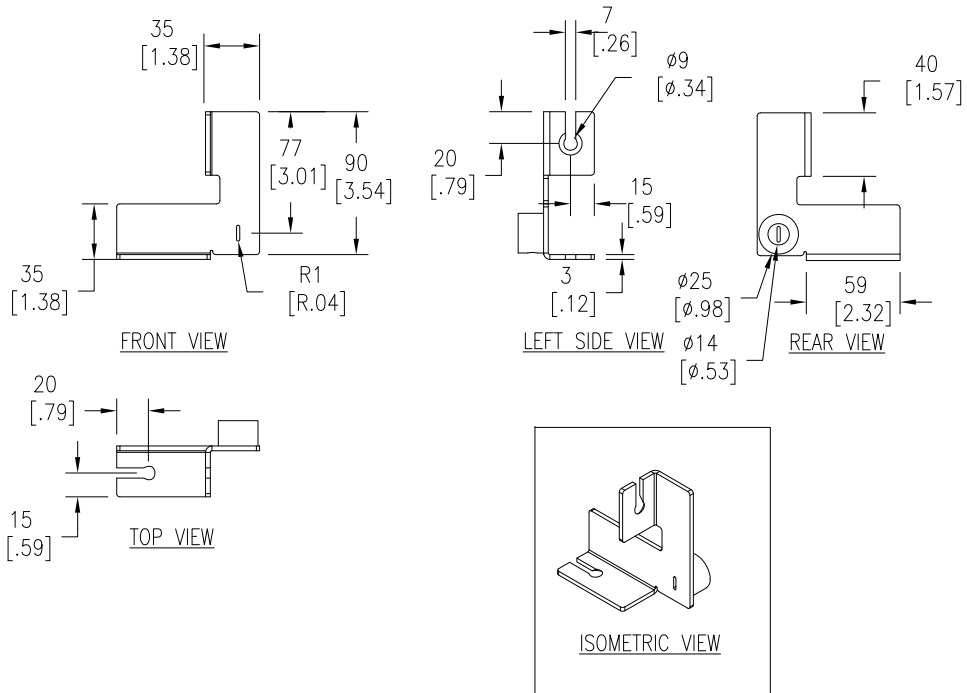
THIS DRAWING AND SPECIFICATIONS HEREIN ARE THE PROPERTY OF SCHNEIDER ELECTRIC AND SHALL NOT BE COPIED, REPRODUCED OR USED IN WHOLE OR IN PART, AS THE BASIS FOR THE MANUFACTURE OR SALE OF ITEMS WITHOUT WRITTEN PERMISSION FROM SCHNEIDER ELECTRIC. THIS DRAWING IS BASED UPON LATEST AVAILABLE INFORMATION AND IS SUBJECT TO CHANGE WITHOUT NOTICE.



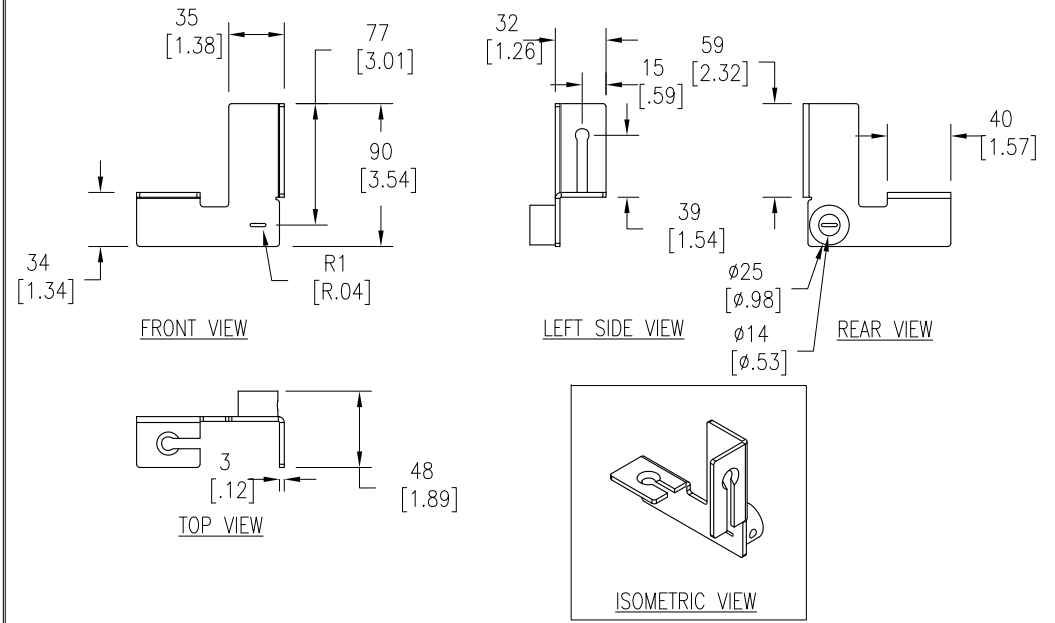
TITLE:
Eco-Aisle (TM) Aisle Containment System
DUCT MOUNTING RAIL
DUCT RAIL WITH ANGLE CONNECTOR
PROJECT: SUBMITTAL DRAWINGS SHEET 1 OF 5

DWG NO:	ACDC2300-2301	REV.	0
DRAWN BY:	K.NAGENDRA	04-JUL-13	FIRST
ENGINEER:	RUSTIN SHI/MARK MENG	04-JUL-13	ANGLE
APPROVED BY:	AARON GRAFF	04-JUL-13	PROJ

ASSEMBLY BRKT STD LH RACK MOUNT KIT



ASSEMBLY BRKT STD RH RACK MOUNT KIT



NOTES:

1. COMPLY WITH ALL APPLICABLE NATIONAL AND LOCAL ELECTRICAL REGULATIONS.
2. REFER TO PRODUCT DOCUMENTATION FOR ADDITIONAL DETAILS PRIOR TO INSTALLATION AND SITE PREPARATION WORK.
3. ALL DIMENSIONS ARE IN MILLIMETERS [INCHES].

THIS DRAWING AND SPECIFICATIONS HEREIN ARE THE PROPERTY OF SCHNEIDER ELECTRIC AND SHALL NOT BE COPIED, REPRODUCED OR USED IN WHOLE OR IN PART, AS THE BASIS FOR THE MANUFACTURE OR SALE OF ITEMS WITHOUT WRITTEN PERMISSION FROM SCHNEIDER ELECTRIC. THIS DRAWING IS BASED UPON LATEST AVAILABLE INFORMATION AND IS SUBJECT TO CHANGE WITHOUT NOTICE.

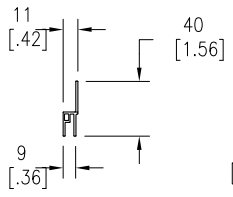


TITLE:
Eco-Aisle (TM) Aisle Containment System
DUCT MOUNTING RAIL
ASSY BRKT STD LH&RH, RACK MTG KIT
PROJECT: SUBMITTAL DRAWINGS SHEET 2 OF 5

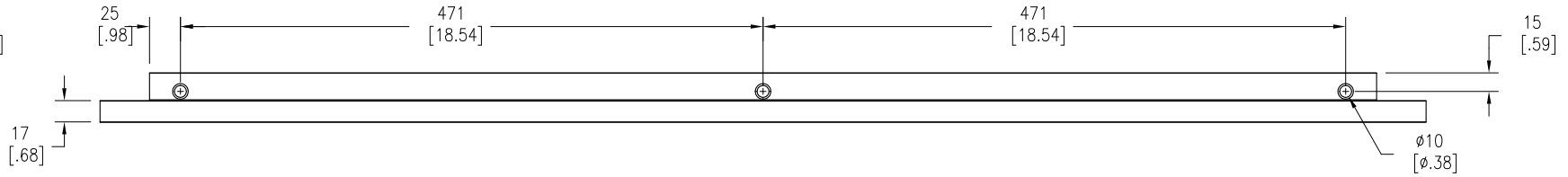
DWG NO:	ACDC2300-2301	REV.	0
DRAWN BY:	K.NAGENDRA	04-JUL-13	FIRST
ENGINEER:	RUSTIN SHI/MARK MENG	04-JUL-13	ANGLE
APPROVED BY:	AARON GRAFF	04-JUL-13	PROJ

ACDC2300-2301

AIR BLOCK MOUNTING RAIL

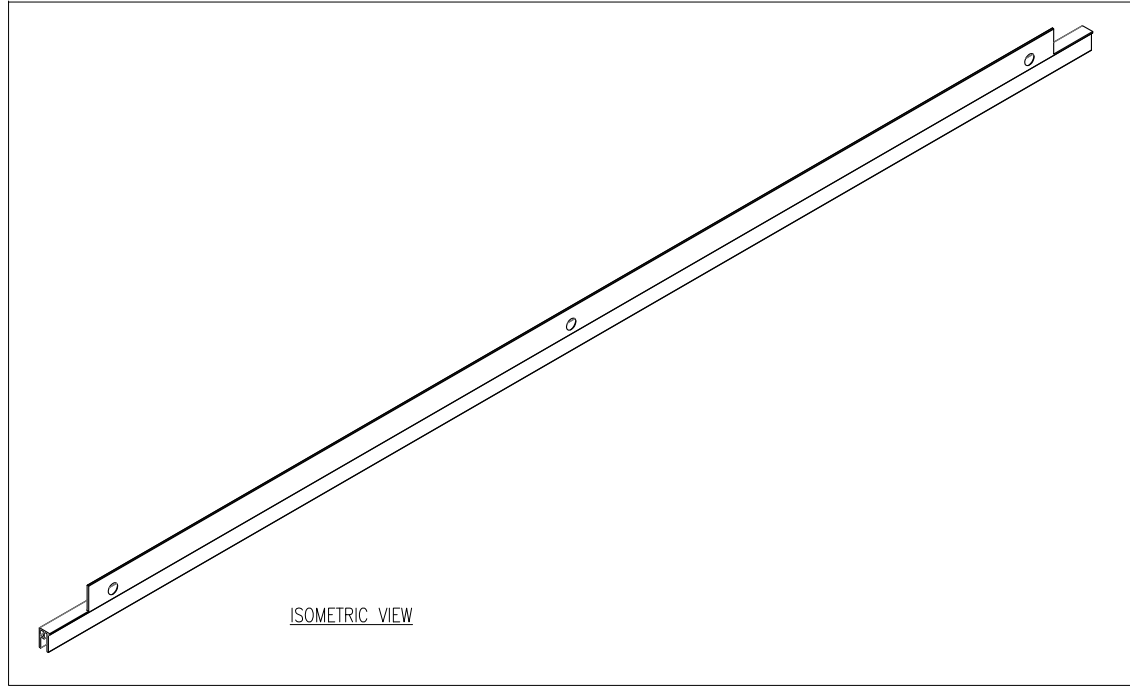
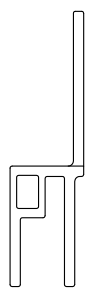


FRONT VIEW



LEFT SIDE VIEW

DUCT RAIL SECTION
(ENLARGED VIEW)



ISOMETRIC VIEW

NOTES:

1. COMPLY WITH ALL APPLICABLE NATIONAL AND LOCAL ELECTRICAL REGULATIONS.
2. REFER TO PRODUCT DOCUMENTATION FOR ADDITIONAL DETAILS PRIOR TO INSTALLATION AND SITE PREPARATION WORK.
3. ALL DIMENSIONS ARE IN MILLIMETERS [INCHES].

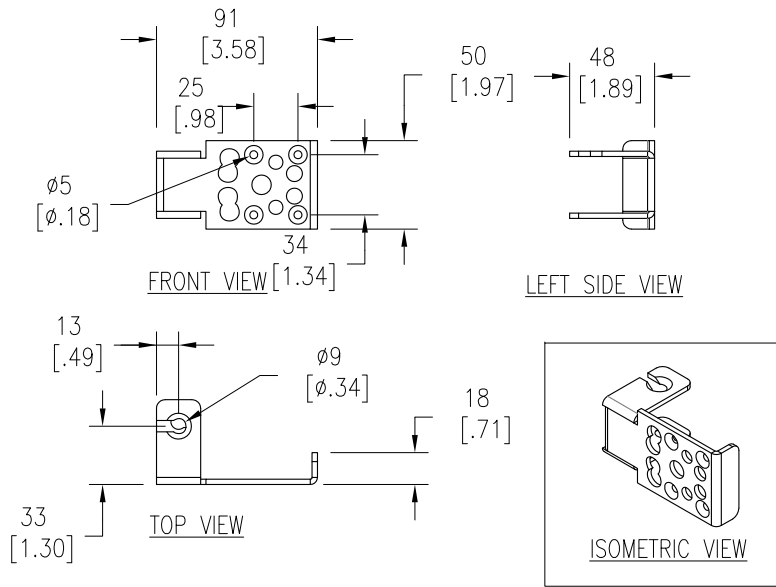
THIS DRAWING AND SPECIFICATIONS HEREIN ARE THE PROPERTY OF SCHNEIDER ELECTRIC AND SHALL NOT BE COPIED, REPRODUCED OR USED IN WHOLE OR IN PART, AS THE BASIS FOR THE MANUFACTURE OR SALE OF ITEMS WITHOUT WRITTEN PERMISSION FROM SCHNEIDER ELECTRIC. THIS DRAWING IS BASED UPON LATEST AVAILABLE INFORMATION AND IS SUBJECT TO CHANGE WITHOUT NOTICE.



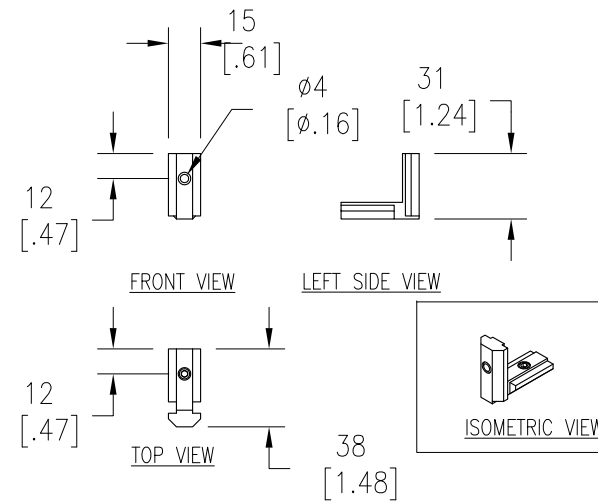
TITLE:
Eco-Aisle (TM) Aisle Containment System
DUCT MOUNTING RAIL
AIR BLOCK MOUNTING RAIL
PROJECT: SUBMITTAL DRAWINGS SHEET 3 OF 5

DWG NO: ACDC2300-2301		REV. 0
DRAWN BY: K.NAGENDRA	04-JUL-13	FIRST
ENGINEER: RUSTIN SHI/MARK MENG	04-JUL-13	ANGLE
APPROVED BY: AARON GRAFF	04-JUL-13	PROJ

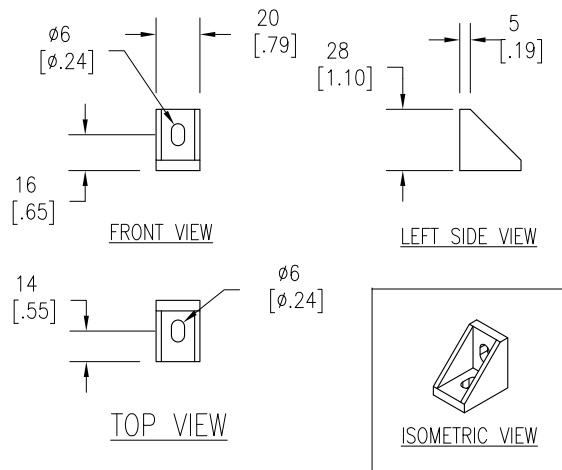
BRKT MOUNT VERTICAL PANEL



DUCT CORNER BRKT

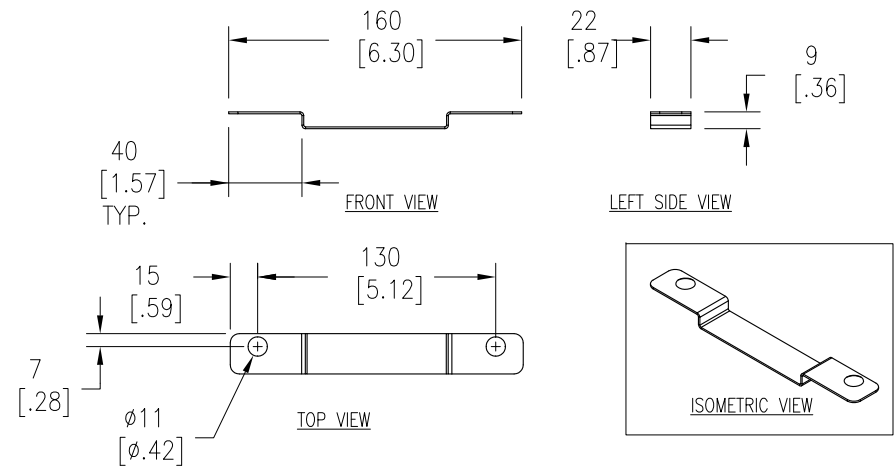


CORNER BRACKET



ACDC2300-2301

DUCT WIRE HARNESS COVER



NOTES:

1. COMPLY WITH ALL APPLICABLE NATIONAL AND LOCAL ELECTRICAL REGULATIONS.
2. REFER TO PRODUCT DOCUMENTATION FOR ADDITIONAL DETAILS PRIOR TO INSTALLATION AND SITE PREPARATION WORK.
3. ALL DIMENSIONS ARE IN MILLIMETERS [INCHES].

THIS DRAWING AND SPECIFICATIONS HEREIN ARE THE PROPERTY OF SCHNEIDER ELECTRIC AND SHALL NOT BE COPIED, REPRODUCED OR USED IN WHOLE OR IN PART, AS THE BASIS FOR THE MANUFACTURE OR SALE OF ITEMS WITHOUT WRITTEN PERMISSION FROM SCHNEIDER ELECTRIC. THIS DRAWING IS BASED UPON LATEST AVAILABLE INFORMATION AND IS SUBJECT TO CHANGE WITHOUT NOTICE.

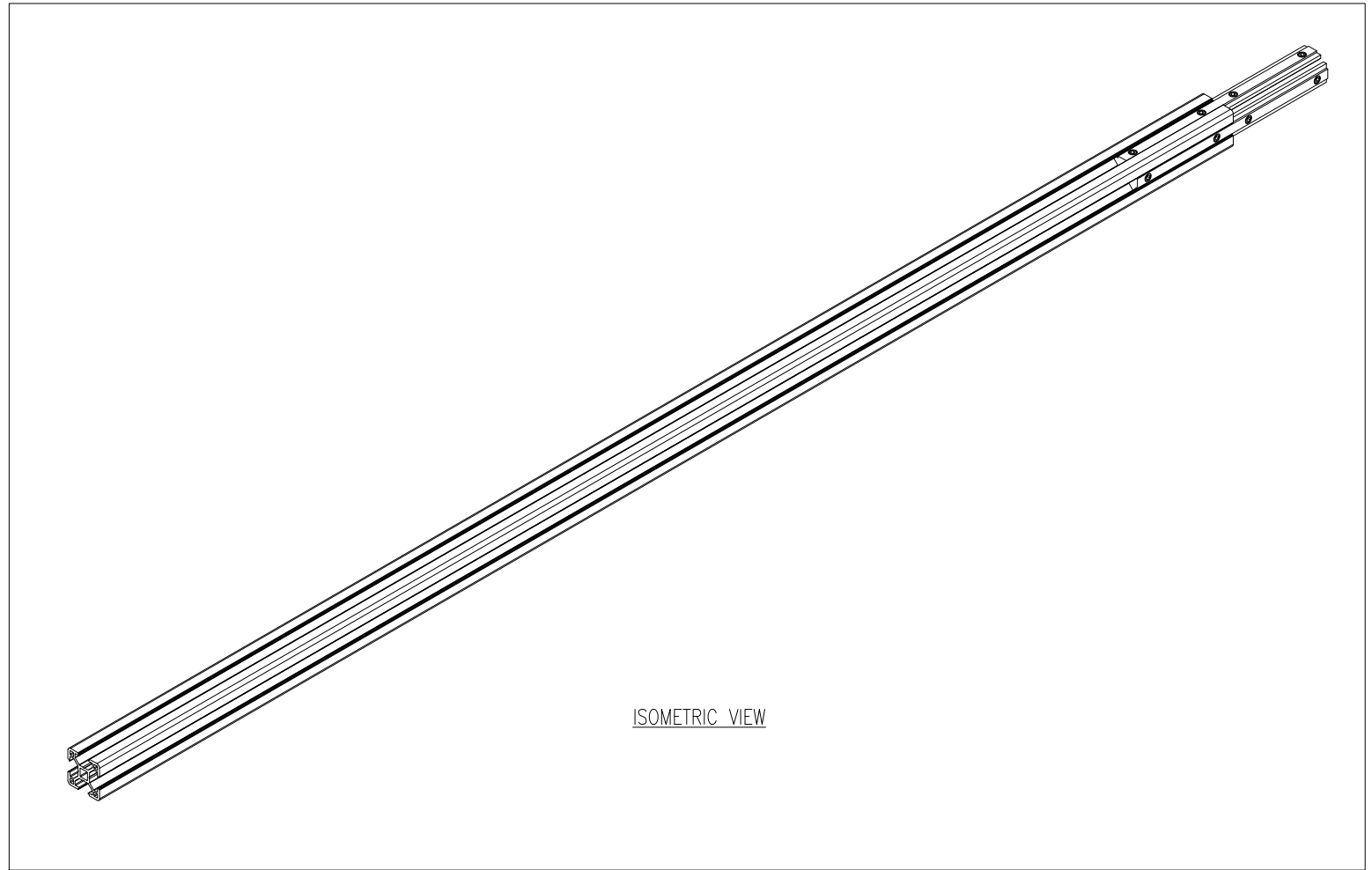
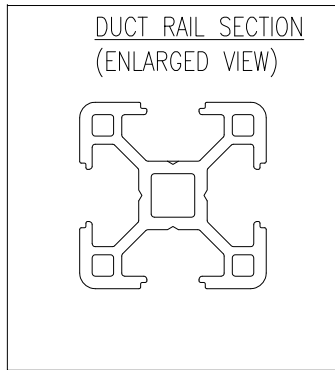
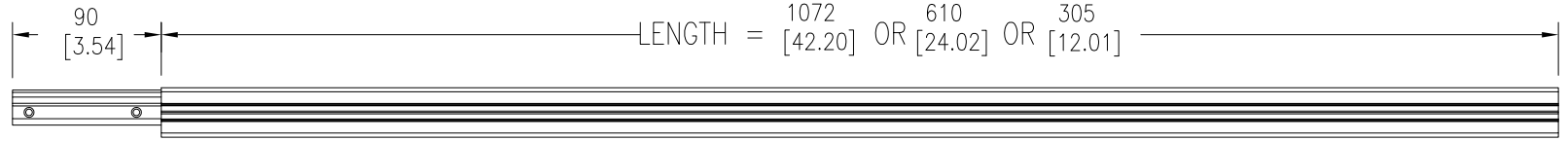
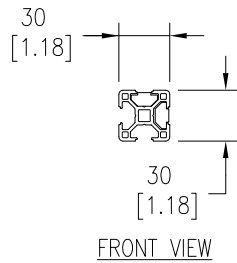
Schneider Electric

TITLE:
Eco-Aisle (TM) Aisle Containment System
DUCT MOUNTING RAIL
BRKT MTG VERTICAL PANEL & BRKTS
PROJECT: SUBMITTAL DRAWINGS SHEET 4 OF 5

DWG NO:	ACDC2300-2301	REV:	0
DRAWN BY:	K.NAGENDRA	04-JUL-13	FIRST
ENGINEER:	RUSTIN SHI/MARK MENG	04-JUL-13	ANGLE
APPROVED BY:	AARON GRAFF	04-JUL-13	PROJ

DUCT RAIL WITH 180mm CORNER

ACDC2300-2301



NOTES:

1. COMPLY WITH ALL APPLICABLE NATIONAL AND LOCAL ELECTRICAL REGULATIONS.
2. REFER TO PRODUCT DOCUMENTATION FOR ADDITIONAL DETAILS PRIOR TO INSTALLATION AND SITE PREPARATION WORK.
3. ALL DIMENSIONS ARE IN MILLIMETERS [INCHES].

THIS DRAWING AND SPECIFICATIONS HEREIN ARE THE PROPERTY OF SCHNEIDER ELECTRIC AND SHALL NOT BE COPIED, REPRODUCED OR USED IN WHOLE OR IN PART, AS THE BASIS FOR THE MANUFACTURE OR SALE OF ITEMS WITHOUT WRITTEN PERMISSION FROM SCHNEIDER ELECTRIC. THIS DRAWING IS BASED UPON LATEST AVAILABLE INFORMATION AND IS SUBJECT TO CHANGE WITHOUT NOTICE.



TITLE:
Eco-Aisle (TM) Aisle Containment System
DUCT MOUNTING RAIL
DUCT RAIL WITH 180mm CORNER
PROJECT: SUBMITTAL DRAWINGS SHEET 5 OF 5

DWG NO:	ACDC2300-2301	REV.	0
DRAWN BY:	K.NAGENDRA	04-JUL-13	FIRST
ENGINEER:	RUSTIN SHI/MARK MENG	04-JUL-13	ANGLE
APPROVED BY:	AARON GRAFF	04-JUL-13	PROJ