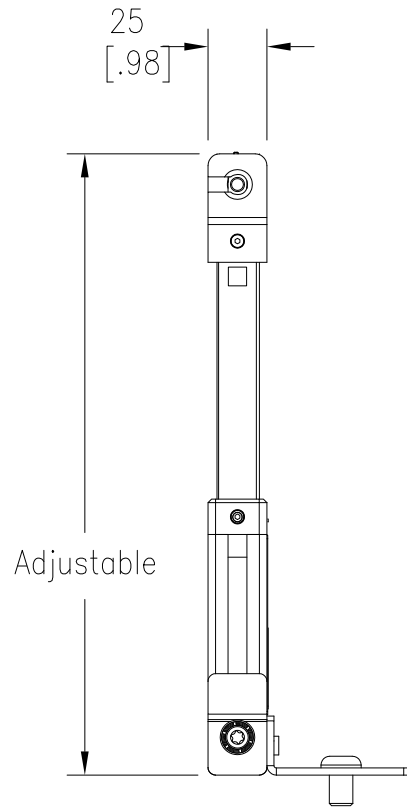
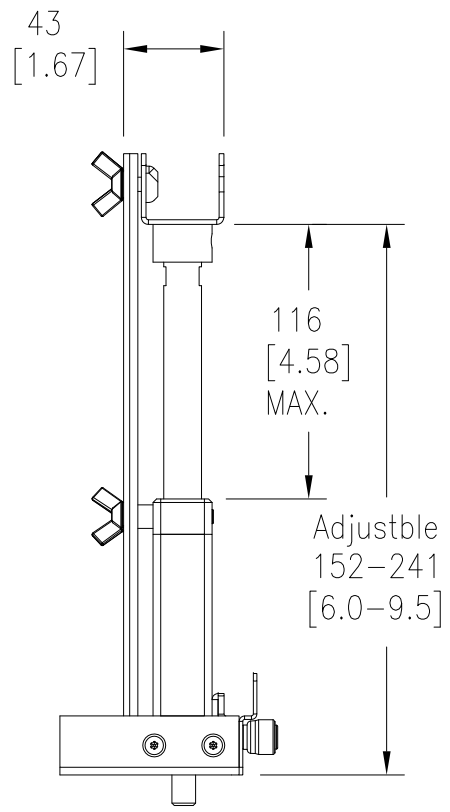


TYPICAL ARRANGEMENT- ADJUSTABLE MOUNTING SUPPORT

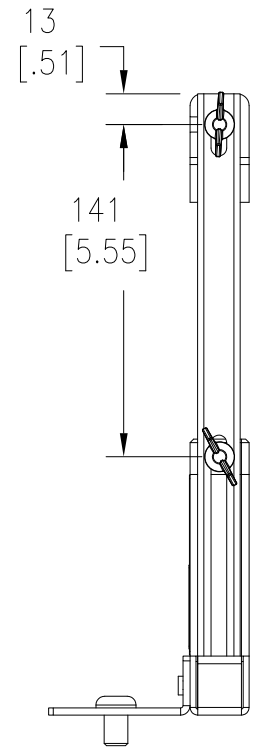
ACDC2200-2201



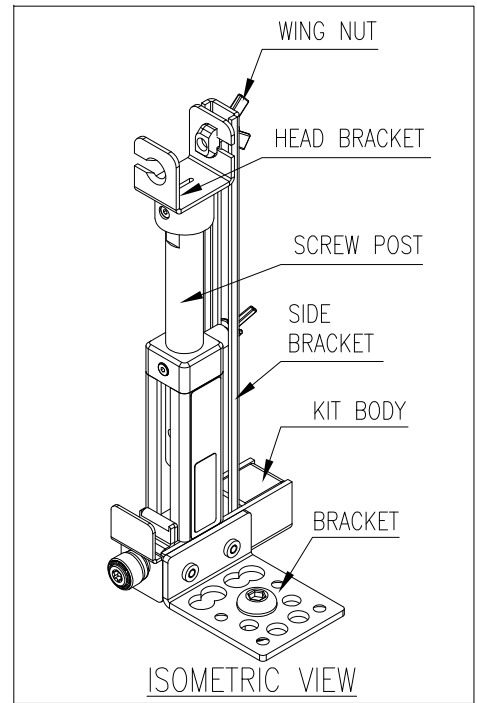
FRONT VIEW



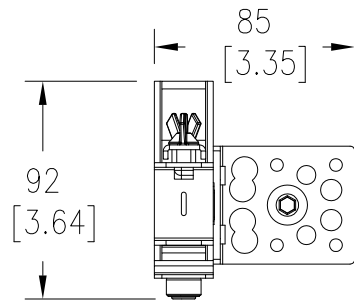
LEFT SIDE VIEW



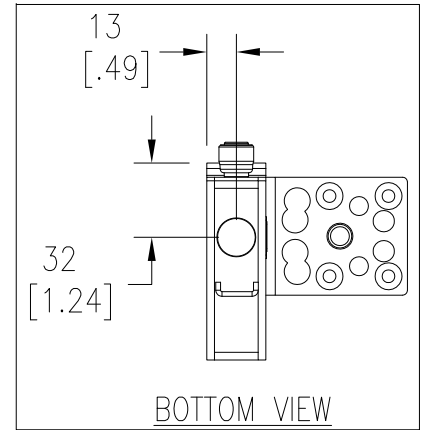
REAR VIEW



ISOMETRIC VIEW



TOP VIEW



BOTTOM VIEW

Adjustable Mounting Kit Details

SKU	Description	Weight, kg (lbs)
ACDC2200	Adjustable Mtg Kit 152-241mm(6-9.5in)	5.50 (12.01)
ACDC2201	Adjustable Mtg Kit 152-241mm(6-9.5in) V0	6.40 (14.08)

NOTES:

1. COMPLY WITH ALL APPLICABLE NATIONAL AND LOCAL ELECTRICAL REGULATIONS.
2. REFER TO PRODUCT DOCUMENTATION FOR ADDITIONAL DETAILS PRIOR TO INSTALLATION AND SITE PREPARATION WORK.
3. ALL DIMENSIONS ARE IN MILLIMETERS [INCHES].
4. NET WEIGHT OF UNIT-REFER TO TABLE
5. TYPICAL ARRANGEMENT SHOWN FOR ACDC2200/2201.

THIS DRAWING AND SPECIFICATIONS HEREIN ARE THE PROPERTY OF SCHNEIDER ELECTRIC AND SHALL NOT BE COPIED, REPRODUCED OR USED IN WHOLE OR IN PART, AS THE BASIS FOR THE MANUFACTURE OR SALE OF ITEMS WITHOUT WRITTEN PERMISSION FROM SCHNEIDER ELECTRIC. THIS DRAWING IS BASED UPON LATEST AVAILABLE INFORMATION AND IS SUBJECT TO CHANGE WITHOUT NOTICE.

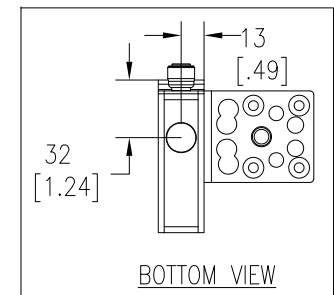
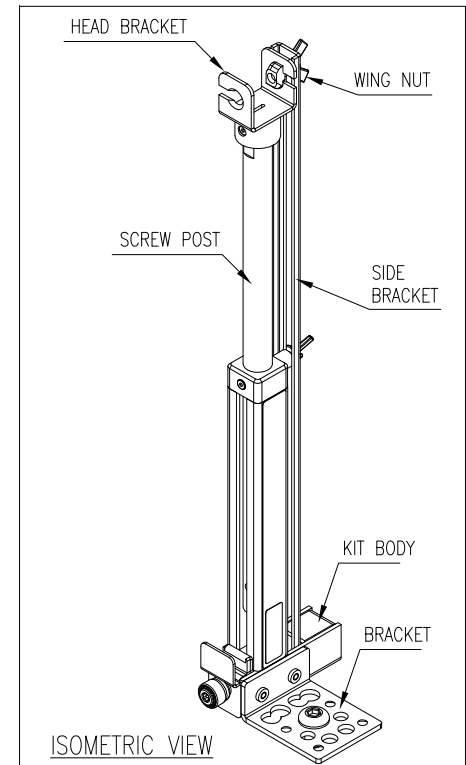
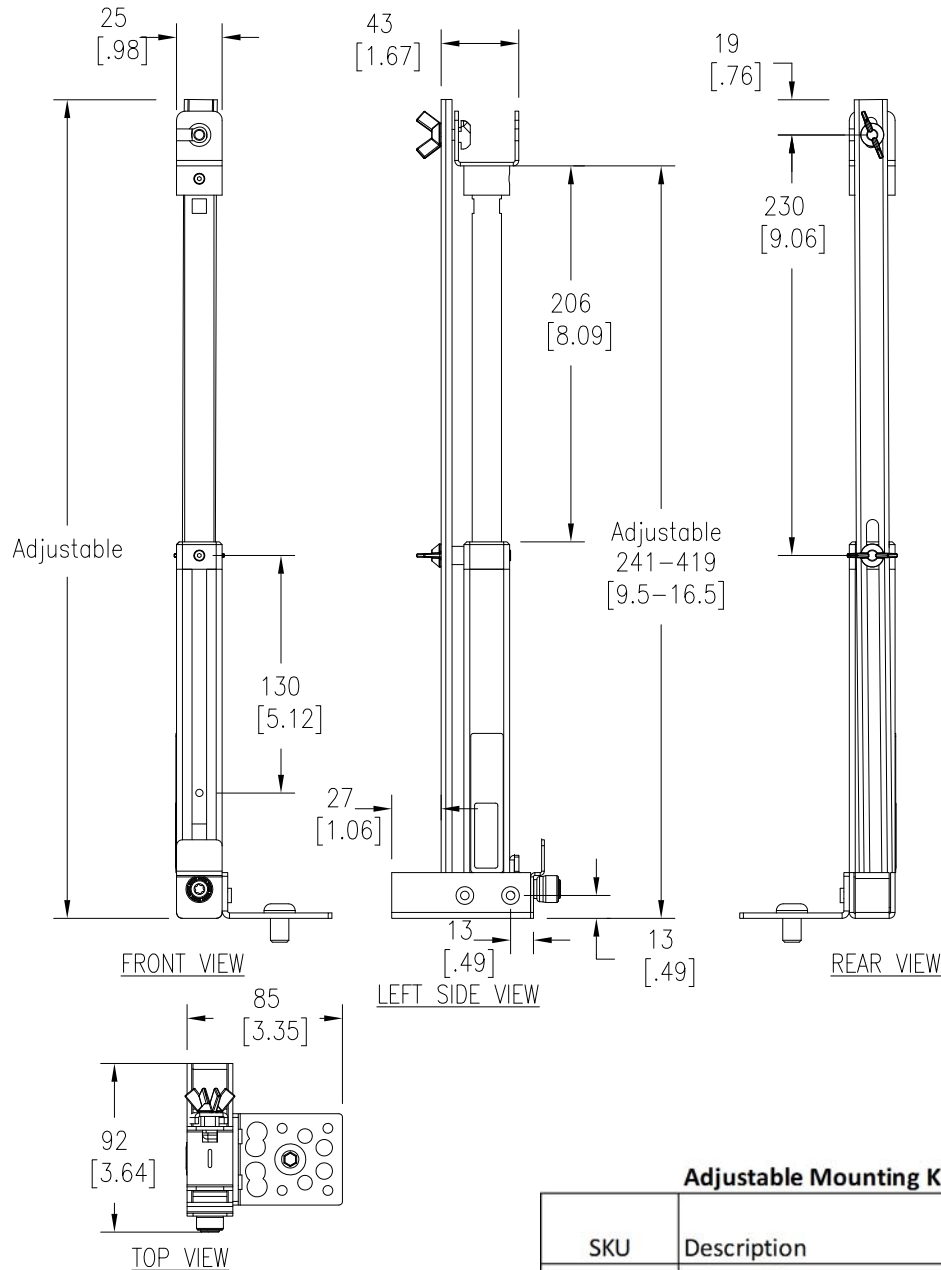


TITLE:
Eco-Aisle (TM) Aisle Containment System
ADJUSTABLE MOUNTING SUPPORT
ASSEMBLY ACDC2200-2201
PROJECT: SUBMITTAL DRAWINGS SHEET 1 OF 4

DWG NO: ACDC2200-2203 REV. 1
DRAWN BY: K.NAGENDRA 07-MAR-14 FIRST ANGLE PROJ
ENGINEER: RUSTIN SHI/MARK MENG 07-MAR-14
APPROVED BY: AARON GRAFF 07-MAR-14

TYPICAL ARRANGEMENT- ADJUSTABLE MOUNTING SUPPORT

ACDC2202-2203



4

Adjustable Mounting Kit Details

SKU	Description	Weight, kg (lbs)
ACDC2202	Adjustable Mtg Kit 241-419mm(9.5-16.5in)	7.20 (15.84)
ACDC2203	Adjustable Mtg Kit 241-419mm(9.5-16.5in) V0	8.80 (19.36)

NOTES:

1. COMPLY WITH ALL APPLICABLE NATIONAL AND LOCAL ELECTRICAL REGULATIONS.
2. REFER TO PRODUCT DOCUMENTATION FOR ADDITIONAL DETAILS PRIOR TO INSTALLATION AND SITE PREPARATION WORK.
3. ALL DIMENSIONS ARE IN MILLIMETERS [INCHES].
4. NET WEIGHT OF UNIT-REFER TO TABLE
5. TYPICAL ARRANGEMENT SHOWN FOR ACDC2202/ACDC2203.

THIS DRAWING AND SPECIFICATIONS HEREIN ARE THE PROPERTY OF SCHNEIDER ELECTRIC AND SHALL NOT BE COPIED, REPRODUCED OR USED IN WHOLE OR IN PART, AS THE BASIS FOR THE MANUFACTURE OR SALE OF ITEMS WITHOUT WRITTEN PERMISSION FROM SCHNEIDER ELECTRIC. THIS DRAWING IS BASED UPON LATEST AVAILABLE INFORMATION AND IS SUBJECT TO CHANGE WITHOUT NOTICE.

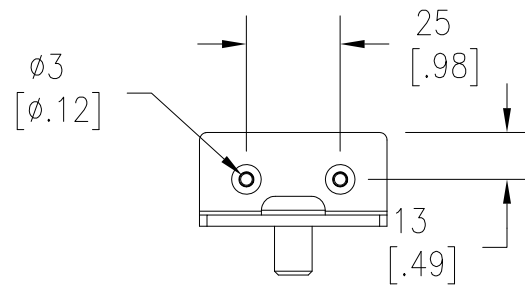


TITLE: Eco-Aisle (TM) Aisle Containment System ADJUSTABLE MOUNTING SUPPORT ASSEMBLY ACDC2202-2203
 PROJECT: SUBMITTAL DRAWINGS SHEET 2 OF 4

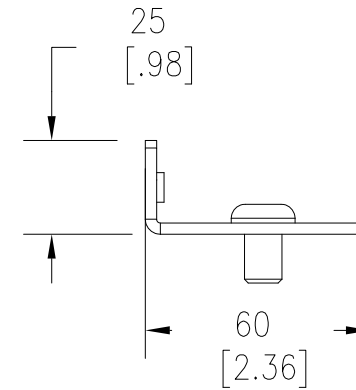
DWG NO: ACDC2200-2203	REV. 1
DRAWN BY: K.NAGENDRA	07-MAR-14
ENGINEER: RUSTIN SHI/MARK MENG	07-MAR-14
APPROVED BY: AARON GRAFF	07-MAR-14
FIRST ANGLE PROJ	

BRACKET DETAILS

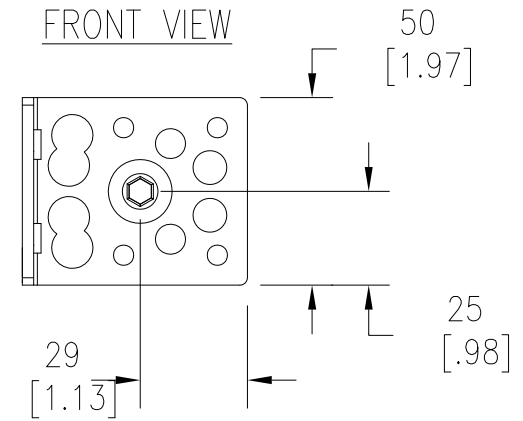
ACDC2200-2203



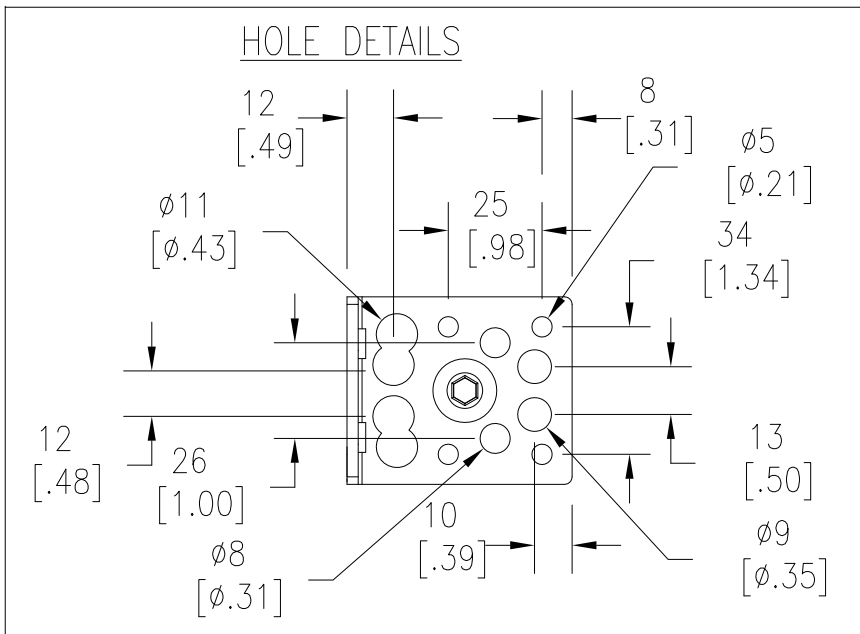
LEFT SIDE VIEW



FRONT VIEW



TOP VIEW
(REFER TO HOLE DETAILS)



NOTES:

1. COMPLY WITH ALL APPLICABLE NATIONAL AND LOCAL ELECTRICAL REGULATIONS.
2. REFER TO PRODUCT DOCUMENTATION FOR ADDITIONAL DETAILS PRIOR TO INSTALLATION AND SITE PREPARATION WORK.
3. ALL DIMENSIONS ARE IN MILLIMETERS [INCHES].

THIS DRAWING AND SPECIFICATIONS HEREIN ARE THE PROPERTY OF SCHNEIDER ELECTRIC AND SHALL NOT BE COPIED, REPRODUCED OR USED IN WHOLE OR IN PART, AS THE BASIS FOR THE MANUFACTURE OR SALE OF ITEMS WITHOUT WRITTEN PERMISSION FROM SCHNEIDER ELECTRIC. THIS DRAWING IS BASED UPON LATEST AVAILABLE INFORMATION AND IS SUBJECT TO CHANGE WITHOUT NOTICE.



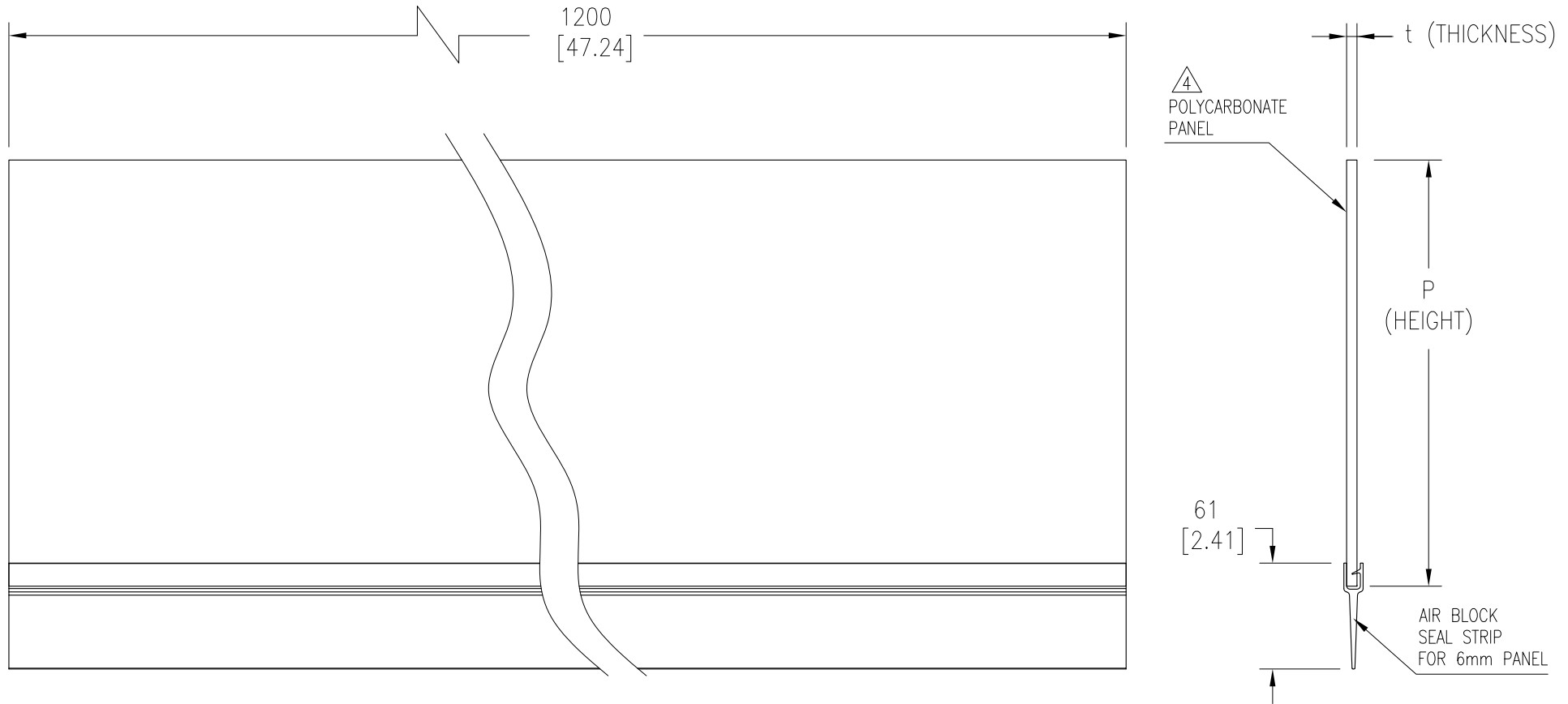
TITLE:
Eco-Aisle (TM) Aisle Containment System
ADJUSTABLE MOUNTING SUPPORT
BRACKET DETAILS

PROJECT: SUBMITTAL DRAWINGS SHEET 3 OF 4

DWG NO:	ACDC2200-2203	REV:	1
DRAWN BY:	K.NAGENDRA	07-MAR-14	FIRST
ENGINEER:	RUSTIN SHI/MARK MENG	07-MAR-14	ANGLE
APPROVED BY:	AARON GRAFF	07-MAR-14	PROJ

POLYCARBONATE PANEL

ACDC2200-2203



SKU	PANEL TYPE	P (HEIGHT)	t (THICKNESS)
ACDC2200	POLYCARBONATE RIBBED PANEL	246 (9.7)	6.0 (0.24)
ACDC2201	POLYCARBONATE CLEAR PANEL	252 (10.0)	2.36 (0.093)
ACDC2202	POLYCARBONATE RIBBED PANEL	424 (16.7)	6.0 (0.24)
ACDC2203	POLYCARBONATE CLEAR PANEL	430 (16.9)	2.36 (0.093)

NOTES:

1. COMPLY WITH ALL APPLICABLE NATIONAL AND LOCAL ELECTRICAL REGULATIONS.
2. REFER TO PRODUCT DOCUMENTATION FOR ADDITIONAL DETAILS PRIOR TO INSTALLATION AND SITE PREPARATION WORK.
3. ALL DIMENSIONS ARE IN MILLIMETERS [INCHES].
- △4. POLYCARBONATE CLEAR PANEL SHOWN.

THIS DRAWING AND SPECIFICATIONS HEREIN ARE THE PROPERTY OF SCHNEIDER ELECTRIC AND SHALL NOT BE COPIED, REPRODUCED OR USED IN WHOLE OR IN PART, AS THE BASIS FOR THE MANUFACTURE OR SALE OF ITEMS WITHOUT WRITTEN PERMISSION FROM SCHNEIDER ELECTRIC. THIS DRAWING IS BASED UPON LATEST AVAILABLE INFORMATION AND IS SUBJECT TO CHANGE WITHOUT NOTICE.



TITLE:
Eco-Aisle (TM) Aisle Containment System
ADJUSTABLE MOUNTING SUPPORT
POLYCARBONATE PANEL

PROJECT: SUBMITTAL DRAWINGS SHEET 4 OF 4

DWG NO:	ACDC2200-2203	REV.	1
DRAWN BY:	K.NAGENDRA	07-MAR-14	FIRST
ENGINEER:	RUSTIN SHI/MARK MENG	07-MAR-14	ANGLE
APPROVED BY:	AARON GRAFF	07-MAR-14	PROJ