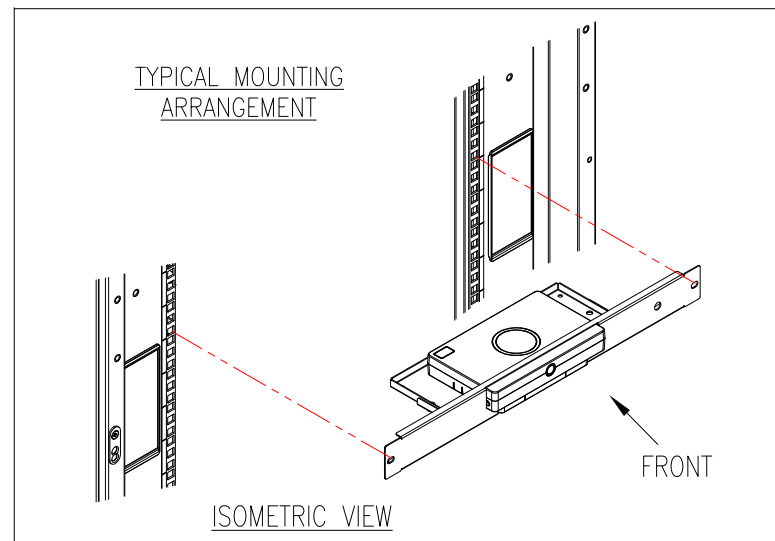
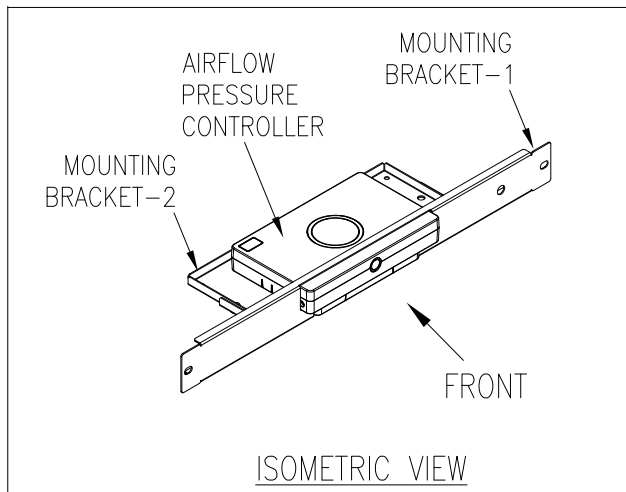
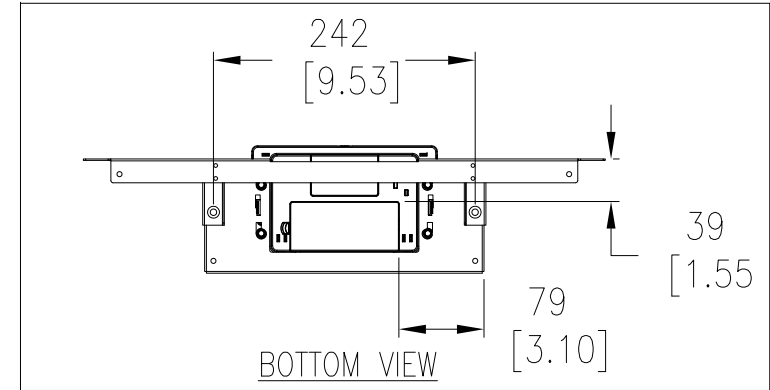
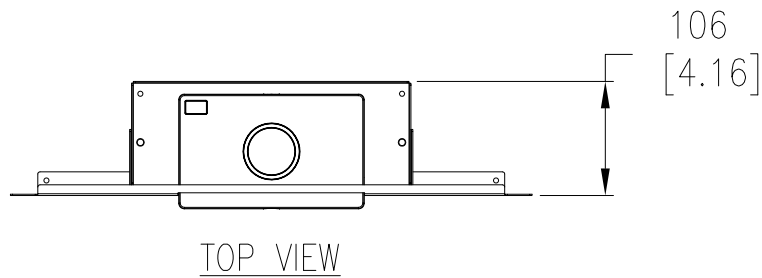
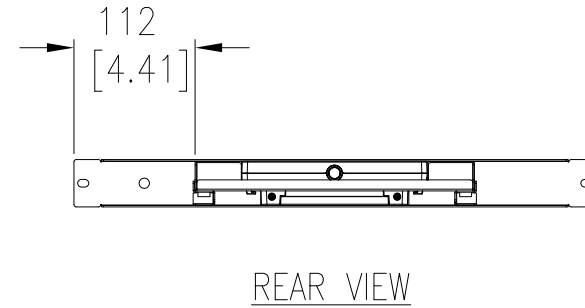
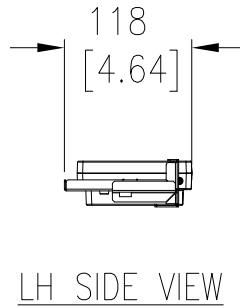
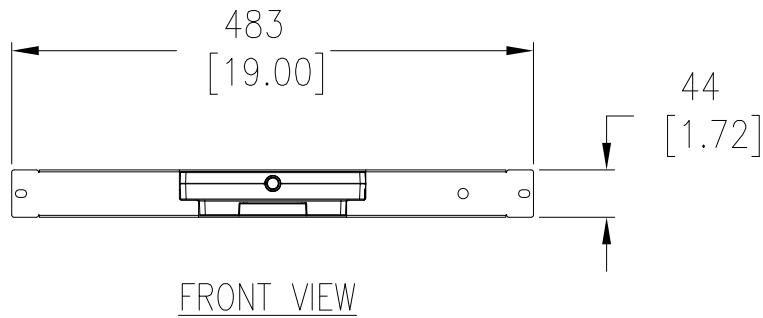


AIRFLOW PRESSURE CONTROLLER & RACK MOUNTING KIT

ACAC22000-22001



NOTES:

1. COMPLY WITH ALL APPLICABLE NATIONAL AND LOCAL ELECTRICAL REGULATIONS.
2. REFER TO PRODUCT DOCUMENTATION FOR ADDITIONAL DETAILS PRIOR TO INSTALLATION AND SITE PREPARATION WORK.
3. ALL DIMENSIONS ARE IN MILLIMETERS [INCHES].

THIS DRAWING AND SPECIFICATIONS HEREIN ARE THE PROPERTY OF SCHNEIDER ELECTRIC AND SHALL NOT BE COPIED, REPRODUCED OR USED IN WHOLE OR IN PART, AS THE BASIS FOR THE MANUFACTURE OR SALE OF ITEMS WITHOUT WRITTEN PERMISSION FROM SCHNEIDER ELECTRIC. THIS DRAWING IS BASED UPON LATEST AVAILABLE INFORMATION AND IS SUBJECT TO CHANGE WITHOUT NOTICE.



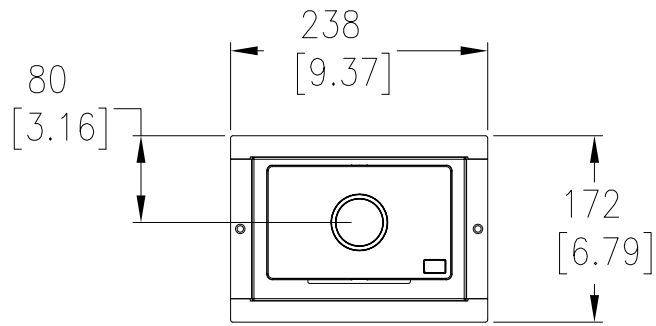
TITLE:
Eco-Aisle (TM) Aisle Containment System
AIRFLOW PR. CONTROLLER & MTG. KIT
ASSEMBLY-RACK MOUNTING

PROJECT: SUBMITTAL DRAWINGS SHEET 1 OF 6

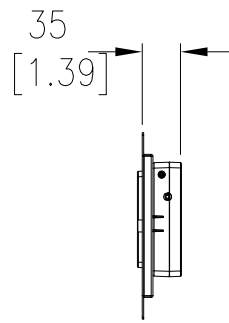
DWG NO:	ACAC22000-22001	REV.	0
DRAWN BY:	K.NAGENDRA	19-APR-13	FIRST
ENGINEER:	JASON LI/MARK MENG	19-APR-13	ANGLE
APPROVED BY:	AARON GRAFF	19-APR-13	PROJ

AIRFLOW PRESSURE CONTROLLER & DUCT MOUNTING KIT

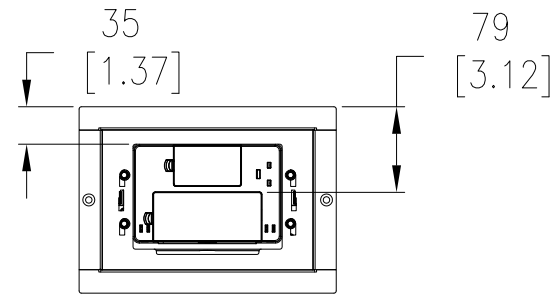
ACAC22000-22001



FRONT VIEW



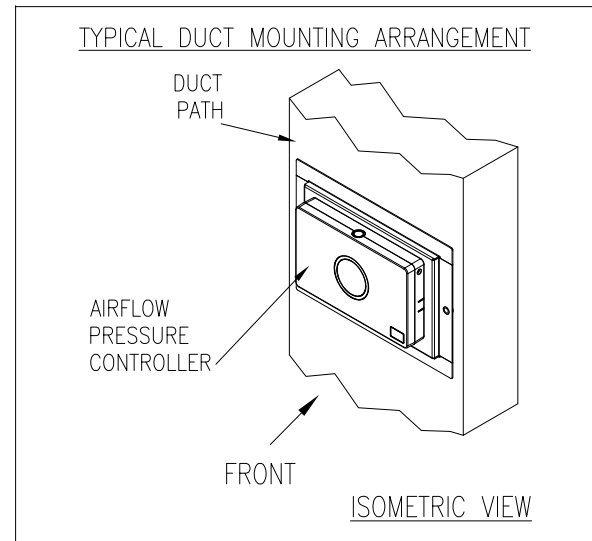
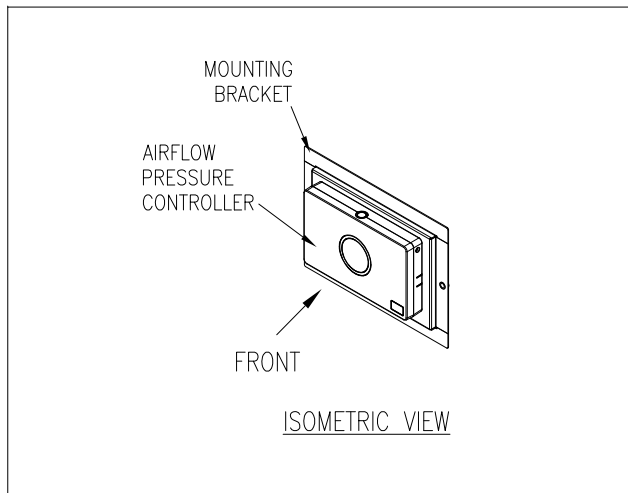
LH SIDE VIEW



REAR VIEW



TOP VIEW



NOTES:

1. COMPLY WITH ALL APPLICABLE NATIONAL AND LOCAL ELECTRICAL REGULATIONS.
2. REFER TO PRODUCT DOCUMENTATION FOR ADDITIONAL DETAILS PRIOR TO INSTALLATION AND SITE PREPARATION WORK.
3. ALL DIMENSIONS ARE IN MILLIMETERS [INCHES].

THIS DRAWING AND SPECIFICATIONS HEREIN ARE THE PROPERTY OF SCHNEIDER ELECTRIC AND SHALL NOT BE COPIED, REPRODUCED OR USED IN WHOLE OR IN PART, AS THE BASIS FOR THE MANUFACTURE OR SALE OF ITEMS WITHOUT WRITTEN PERMISSION FROM SCHNEIDER ELECTRIC. THIS DRAWING IS BASED UPON LATEST AVAILABLE INFORMATION AND IS SUBJECT TO CHANGE WITHOUT NOTICE.

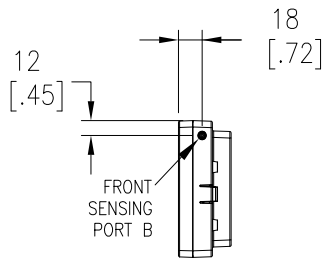


TITLE:
Eco-Aisle (TM) Aisle Containment System
AIRFLOW PR. CONTROLLER & MTG. KIT
ASSEMBLY-DUCT MOUNTING
PROJECT: SUBMITTAL DRAWINGS SHEET 2 OF 6

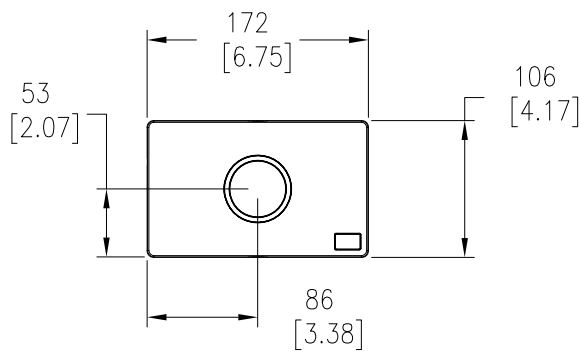
DWG NO:	ACAC22000-22001	REV.	0
DRAWN BY:	K.NAGENDRA	19-APR-13	FIRST
ENGINEER:	JASON LJ/MARK MENG	19-APR-13	ANGLE
APPROVED BY:	AARON GRAFF	19-APR-13	PROJ

AIRFLOW PRESSURE CONTROLLER

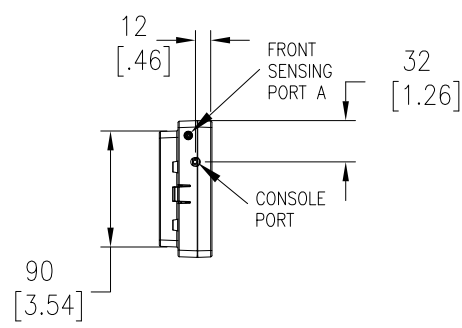
ACAC22000



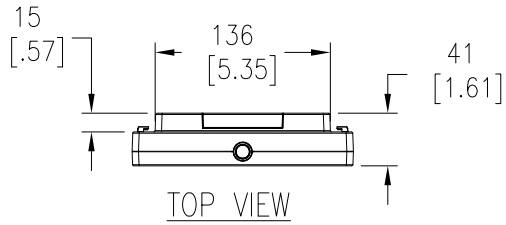
RH SIDE VIEW



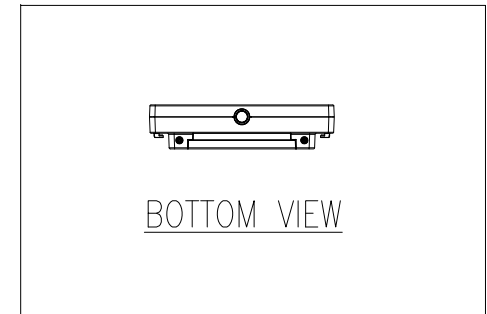
FRONT VIEW



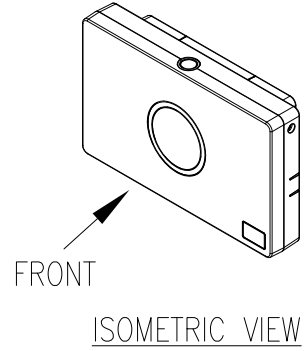
LH SIDE VIEW



TOP VIEW

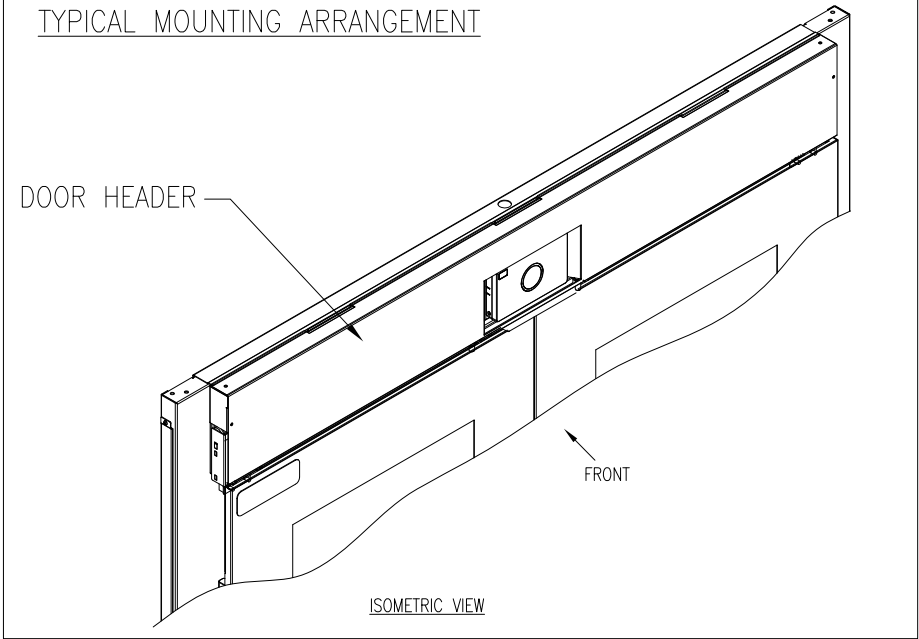


BOTTOM VIEW

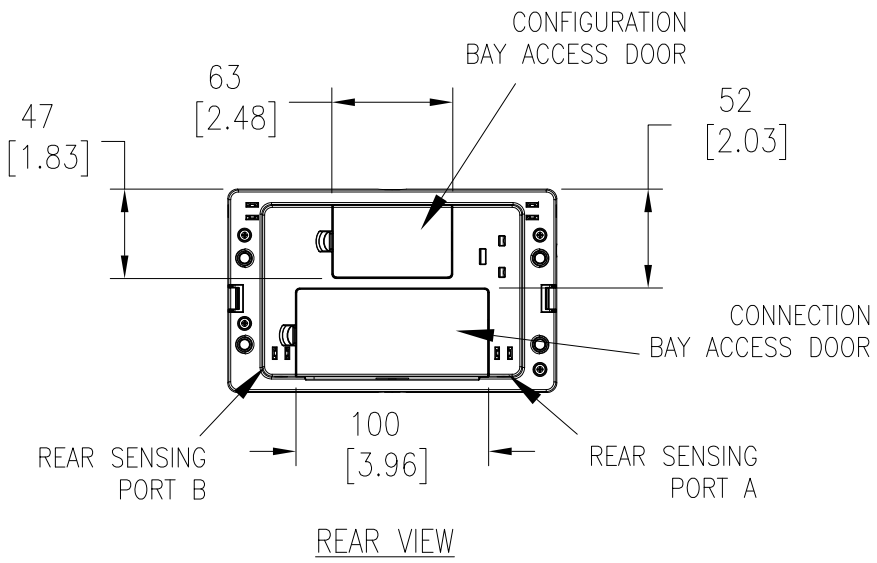


ISOMETRIC VIEW

TYPICAL MOUNTING ARRANGEMENT



ISOMETRIC VIEW



REAR VIEW

NOTES:

1. COMPLY WITH ALL APPLICABLE NATIONAL AND LOCAL ELECTRICAL REGULATIONS.
2. REFER TO PRODUCT DOCUMENTATION FOR ADDITIONAL DETAILS PRIOR TO INSTALLATION AND SITE PREPARATION WORK.
3. ALL DIMENSIONS ARE IN MILLIMETERS [INCHES].

THIS DRAWING AND SPECIFICATIONS HEREIN ARE THE PROPERTY OF SCHNEIDER ELECTRIC AND SHALL NOT BE COPIED, REPRODUCED OR USED IN WHOLE OR IN PART, AS THE BASIS FOR THE MANUFACTURE OR SALE OF ITEMS WITHOUT WRITTEN PERMISSION FROM SCHNEIDER ELECTRIC. THIS DRAWING IS BASED UPON LATEST AVAILABLE INFORMATION AND IS SUBJECT TO CHANGE WITHOUT NOTICE.



TITLE:
Eco-Aisle (TM) Aisle Containment System
AIRFLOW PR. CONTROLLER & MTG. KIT
AIRFLOW PRESSURE CONTROLLER

PROJECT: SUBMITTAL DRAWINGS | SHEET 3 OF 6

DWG NO: ACAC22000-22001

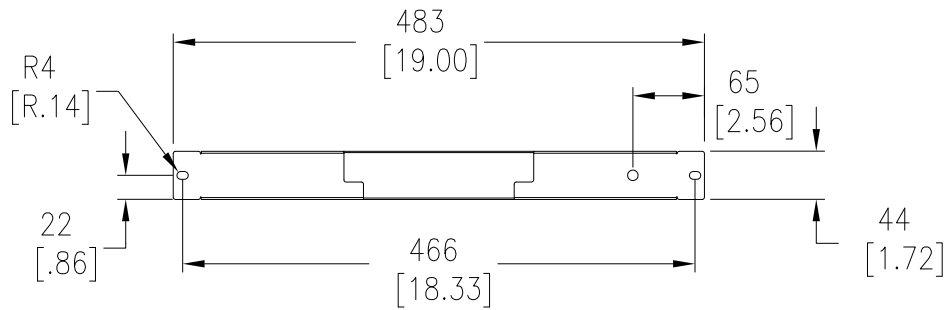
ENGINEER: JASON LI/MARK MENG
APPROVED BY: AARON GRAFF

19-APR-13
19-APR-13
19-APR-13

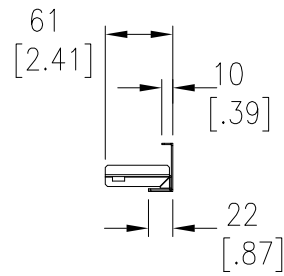
REV. 0

FIRST ANGLE PROJ

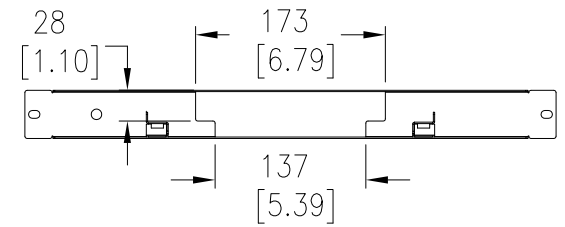
MOUNTING BRACKET-1



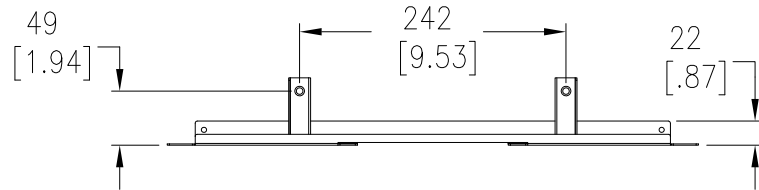
FRONT VIEW



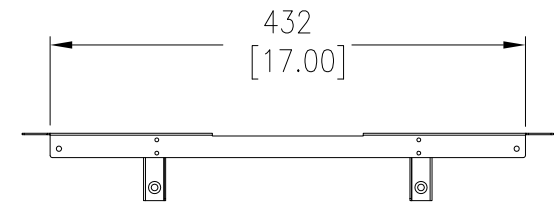
LH SIDE VIEW



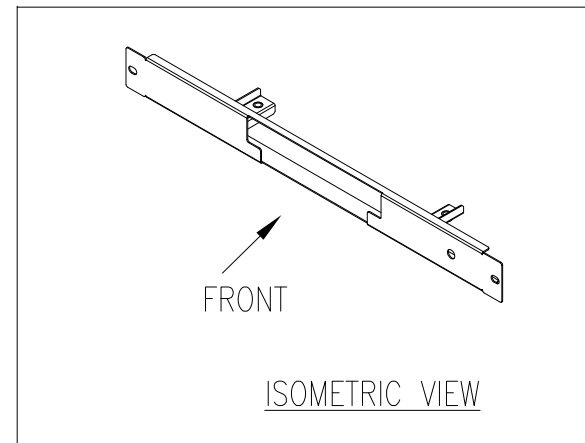
REAR VIEW



TOP VIEW



BOTTOM VIEW



ISOMETRIC VIEW

NOTES:

1. COMPLY WITH ALL APPLICABLE NATIONAL AND LOCAL ELECTRICAL REGULATIONS.
2. REFER TO PRODUCT DOCUMENTATION FOR ADDITIONAL DETAILS PRIOR TO INSTALLATION AND SITE PREPARATION WORK.
3. ALL DIMENSIONS ARE IN MILLIMETERS [INCHES].

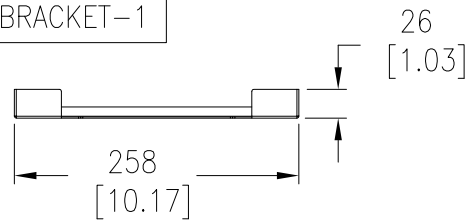
THIS DRAWING AND SPECIFICATIONS HEREIN ARE THE PROPERTY OF SCHNEIDER ELECTRIC AND SHALL NOT BE COPIED, REPRODUCED OR USED IN WHOLE OR IN PART, AS THE BASIS FOR THE MANUFACTURE OR SALE OF ITEMS WITHOUT WRITTEN PERMISSION FROM SCHNEIDER ELECTRIC. THIS DRAWING IS BASED UPON LATEST AVAILABLE INFORMATION AND IS SUBJECT TO CHANGE WITHOUT NOTICE.



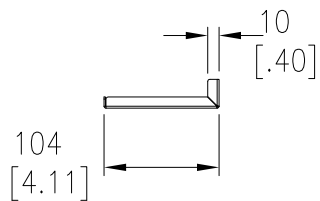
TITLE:
Eco-Aisle (TM) Aisle Containment System
AIRFLOW PR. CONTROLLER & MTG. KIT
MOUNTING BRACKET-1
PROJECT: SUBMITTAL DRAWINGS SHEET 4 OF 6

DWG NO:	ACAC22000-22001	REV.	0
DRAWN BY:	K.NAGENDRA	19-APR-13	FIRST
ENGINEER:	JASON LJ/MARK MENG	19-APR-13	ANGLE
APPROVED BY:	AARON GRAFF	19-APR-13	PROJ

MOUNTING BRACKET-1



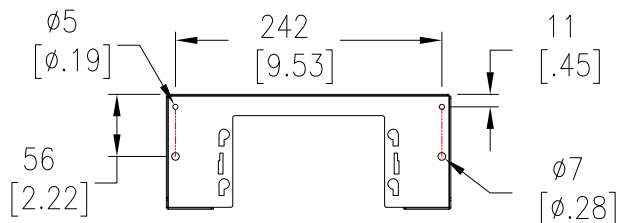
FRONT VIEW



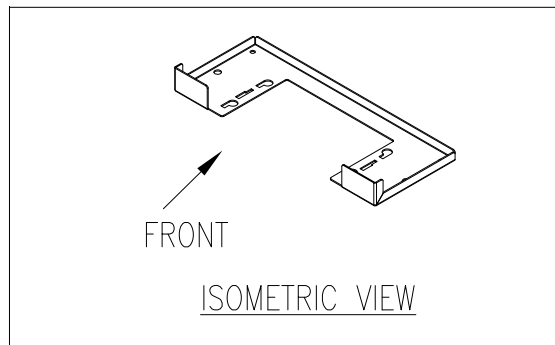
LH SIDE VIEW



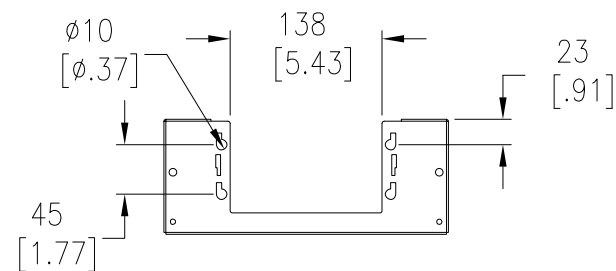
REAR VIEW



TOP VIEW

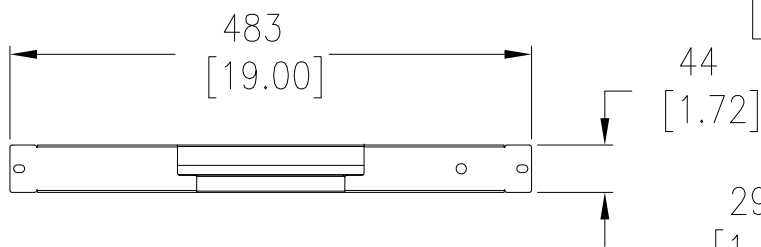


ISOMETRIC VIEW

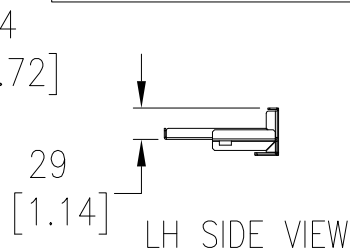


BOTTOM VIEW

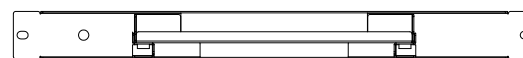
MOUNTING BRACKETS ASSEMBLY



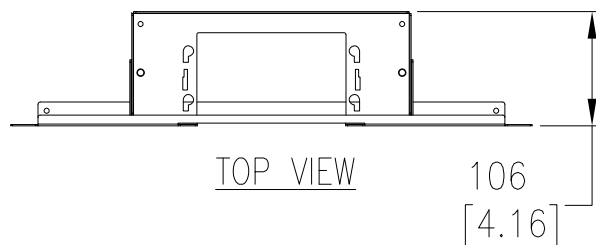
FRONT VIEW



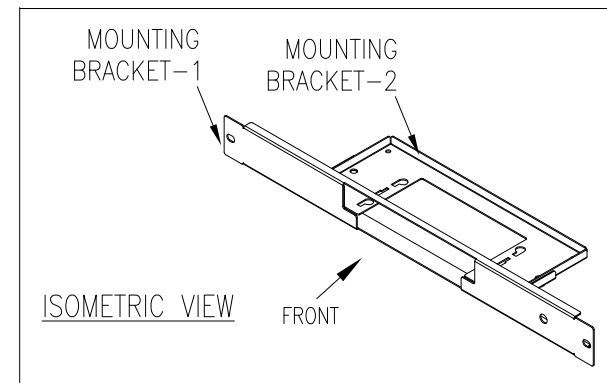
LH SIDE VIEW



REAR VIEW



TOP VIEW



ISOMETRIC VIEW

NOTES:

1. COMPLY WITH ALL APPLICABLE NATIONAL AND LOCAL ELECTRICAL REGULATIONS.
2. REFER TO PRODUCT DOCUMENTATION FOR ADDITIONAL DETAILS PRIOR TO INSTALLATION AND SITE PREPARATION WORK.
3. ALL DIMENSIONS ARE IN MILLIMETERS [INCHES].

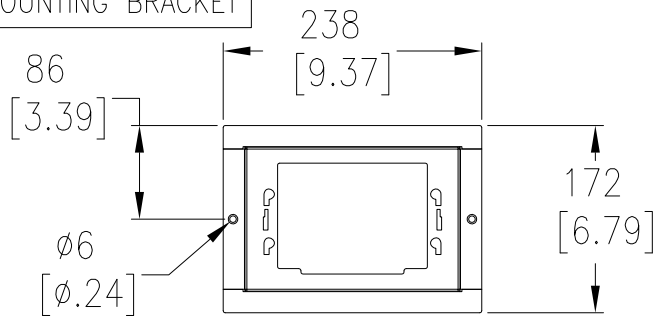
THIS DRAWING AND SPECIFICATIONS HEREIN ARE THE PROPERTY OF SCHNEIDER ELECTRIC AND SHALL NOT BE COPIED, REPRODUCED OR USED IN WHOLE OR IN PART, AS THE BASIS FOR THE MANUFACTURE OR SALE OF ITEMS WITHOUT WRITTEN PERMISSION FROM SCHNEIDER ELECTRIC. THIS DRAWING IS BASED UPON LATEST AVAILABLE INFORMATION AND IS SUBJECT TO CHANGE WITHOUT NOTICE.



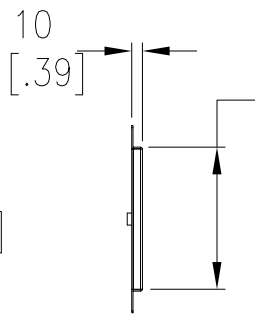
TITLE:
Eco-Aisle (TM) Aisle Containment System
AIRFLOW PR. CONTROLLER & MTG. KIT
MOUNTING BRACKET-2

DWG NO:	ACAC22000-22001	REV.	0
DRAWN BY:	K.NAGENDRA	19-APR-13	FIRST
ENGINEER:	JASON LJ/MARK MENG	19-APR-13	ANGLE
APPROVED BY:	AARON GRAFF	19-APR-13	PROJ

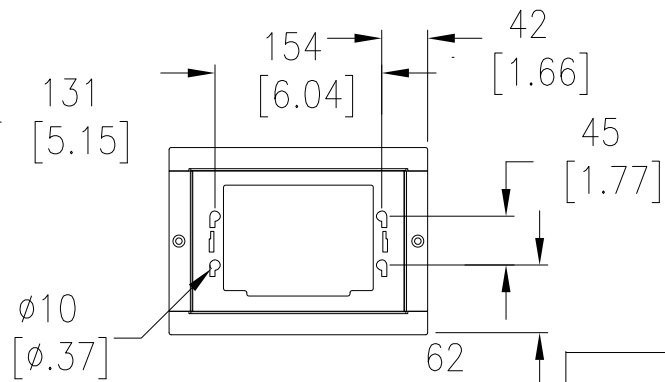
DUCT MOUNTING BRACKET



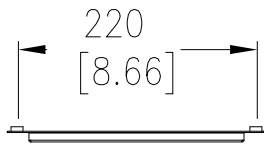
FRONT VIEW



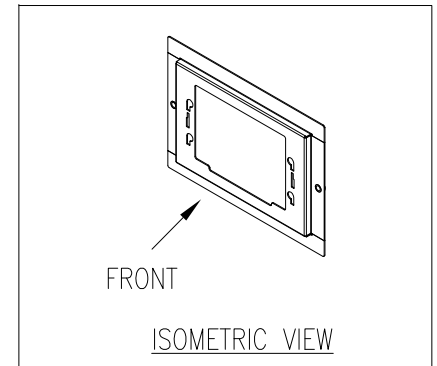
LH SIDE VIEW



REAR VIEW

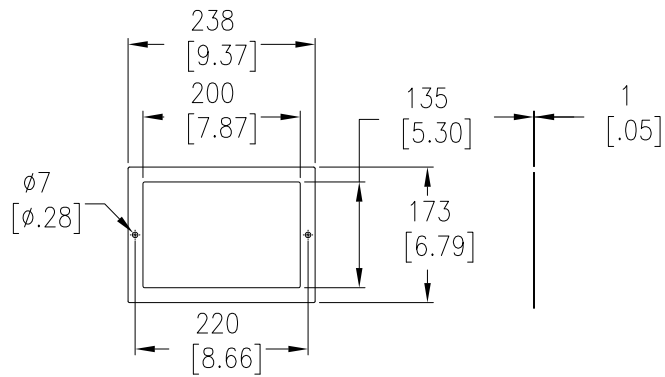


TOP VIEW



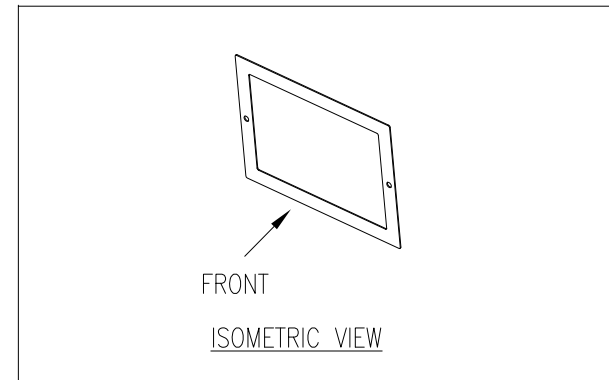
ISOMETRIC VIEW

DUCT TRIM PLATE



FRONT VIEW

LH SIDE VIEW



FRONT
ISOMETRIC VIEW

NOTES:

1. COMPLY WITH ALL APPLICABLE NATIONAL AND LOCAL ELECTRICAL REGULATIONS.
2. REFER TO PRODUCT DOCUMENTATION FOR ADDITIONAL DETAILS PRIOR TO INSTALLATION AND SITE PREPARATION WORK.
3. ALL DIMENSIONS ARE IN MILLIMETERS [INCHES].

THIS DRAWING AND SPECIFICATIONS HEREIN ARE THE PROPERTY OF SCHNEIDER ELECTRIC AND SHALL NOT BE COPIED, REPRODUCED OR USED IN WHOLE OR IN PART, AS THE BASIS FOR THE MANUFACTURE OR SALE OF ITEMS WITHOUT WRITTEN PERMISSION FROM SCHNEIDER ELECTRIC. THIS DRAWING IS BASED UPON LATEST AVAILABLE INFORMATION AND IS SUBJECT TO CHANGE WITHOUT NOTICE.



TITLE:
Eco-Aisle (TM) Aisle Containment System
AIRFLOW PR. CONTROLLER & MTG. KIT
DUCT MOUNTING BRACKET

PROJECT: SUBMITTAL DRAWINGS SHEET 6 OF 6

DWG NO:	ACAC22000-22001	REV.	0
DRAWN BY:	K.NAGENDRA	19-APR-13	FIRST
ENGINEER:	JASON LI/MARK MENG	19-APR-13	ANGLE
APPROVED BY:	AARON GRAFF	19-APR-13	PROJ