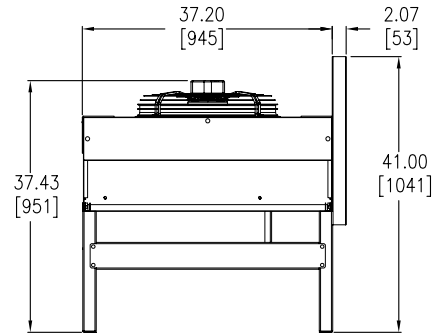
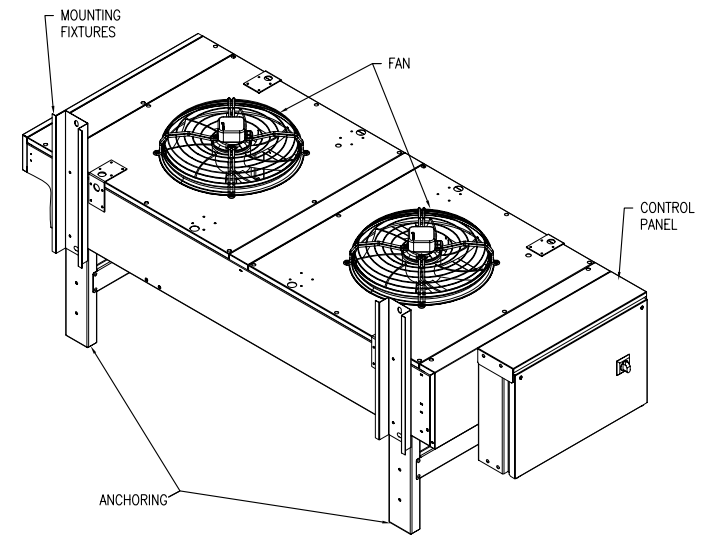


FRONT VIEW



RIGHT SIDE VIEW



ISOMETRIC VIEW

NOTES:

1. INSTALLATION SHALL COMPLY WITH ALL APPLICABLE NATIONAL, STATE AND LOCAL CODES.
2. PLEASE REFER TO PRODUCT MANUALS PRIOR TO INSTALLATION AND SITE PREPARATION WORK FOR FURTHER DETAILS..
3. ALL DIMENSIONS ARE IN INCHES [MILLIMETERS].
4. WEIGHT OF THE UNIT :

SKU#	Weight	
	Lbs	kg
ACFC75264	443	201

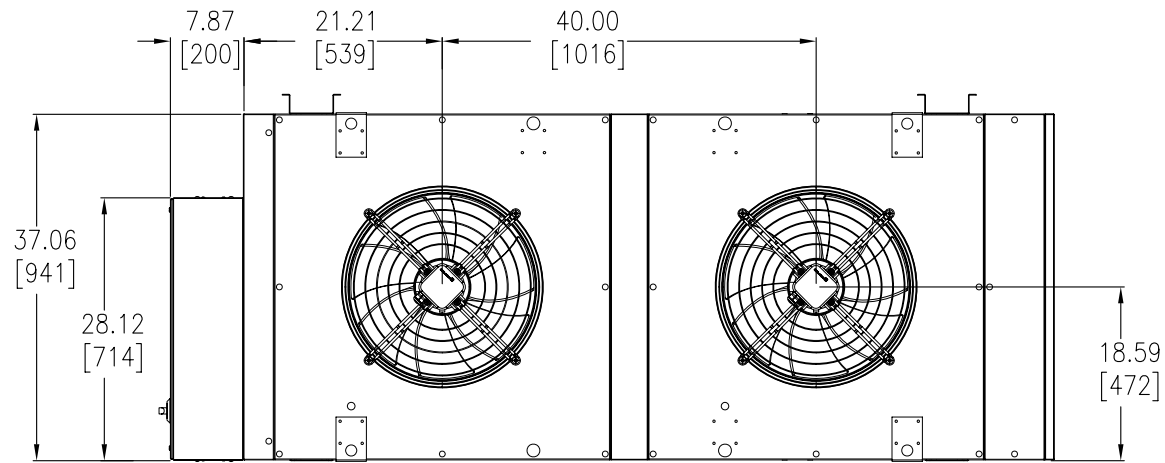
THIS DRAWING AND SPECIFICATIONS HEREIN ARE THE PROPERTY OF SCHNEIDER ELECTRIC AND SHALL NOT BE COPIED, REPRODUCED OR USED IN WHOLE OR IN PART, AS THE BASIS FOR THE MANUFACTURE OR SALE OF ITEMS WITHOUT WRITTEN PERMISSION FROM SCHNEIDER ELECTRIC. THIS DRAWING IS BASED UPON LATEST AVAILABLE INFORMATION AND IS SUBJECT TO CHANGE WITHOUT NOTICE.



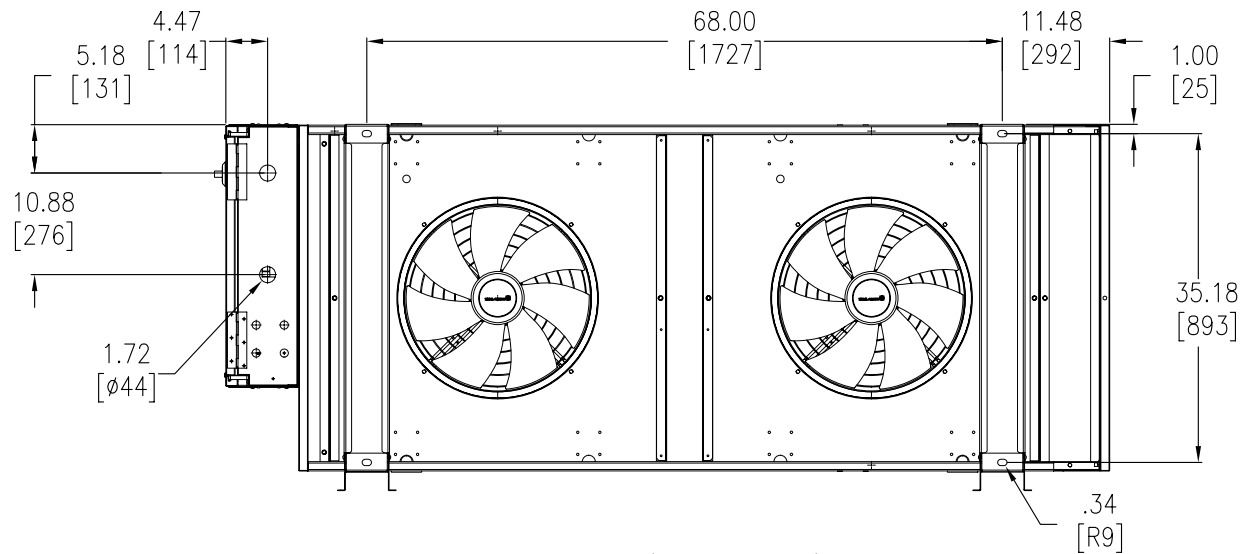
TITLE: COOLING SOLUTIONS
UNIFLAI-R-DX, FLUID COOLERS
47kW, 208-230V, 3Ph, 60Hz
110F/120F
MAIN MECHANICAL
PROJECT: DRAWINGS SHEET 1 OF 5

DWG NO: ACFC75264
DRAWN BY: K.NAGENDRA 28-SEP-12
ENGINEER: K.BAER 28-SEP-12
APPROVED BY: C.CUMMISKEY 28-SEP-12

REV. 0
THIRD ANGLE PROJECTION



TOP VIEW



BOTTOM VIEW (ANCHORING)

NOTES:

1. INSTALLATION SHALL COMPLY WITH ALL APPLICABLE NATIONAL, STATE AND LOCAL CODES.
2. PLEASE REFER TO PRODUCT MANUALS PRIOR TO INSTALLATION AND SITE PREPARATION WORK FOR FURTHER DETAILS.
3. ALL DIMENSIONS ARE IN INCHES [MILLIMETERS].
4. SOME STRUCTURAL DETAILS HAVE BEEN OMITTED FOR THE PURPOSE OF CLARITY.

THIS DRAWING AND SPECIFICATIONS HEREIN ARE THE PROPERTY OF SCHNEIDER ELECTRIC AND SHALL NOT BE COPIED, REPRODUCED OR USED IN WHOLE OR IN PART, AS THE BASIS FOR THE MANUFACTURE OR SALE OF ITEMS WITHOUT WRITTEN PERMISSION FROM SCHNEIDER ELECTRIC. THIS DRAWING IS BASED UPON LATEST AVAILABLE INFORMATION AND IS SUBJECT TO CHANGE WITHOUT NOTICE.



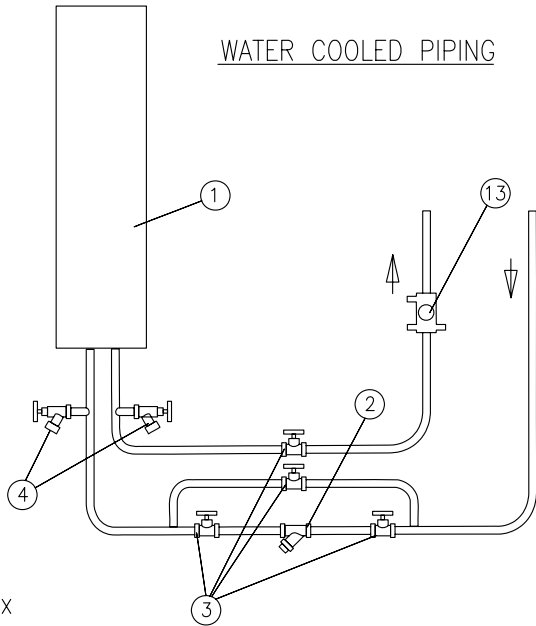
TITLE: COOLING SOLUTIONS
UNIFLAIR-DX, FLUID COOLERS
47kW, 208-230V, 3Ph, 60Hz
110F/120F
TOP AND BOTTOM VIEW (ANCHORING)
PROJECT: DRAWINGS SHEET 2 OF 5

DWG NO: ACFC75264
DRAWN BY: K.NAGENDRA 28-SEP-12
ENGINEER: K.BAER 28-SEP-12
APPROVED BY: C.CUMMISKEY 28-SEP-12

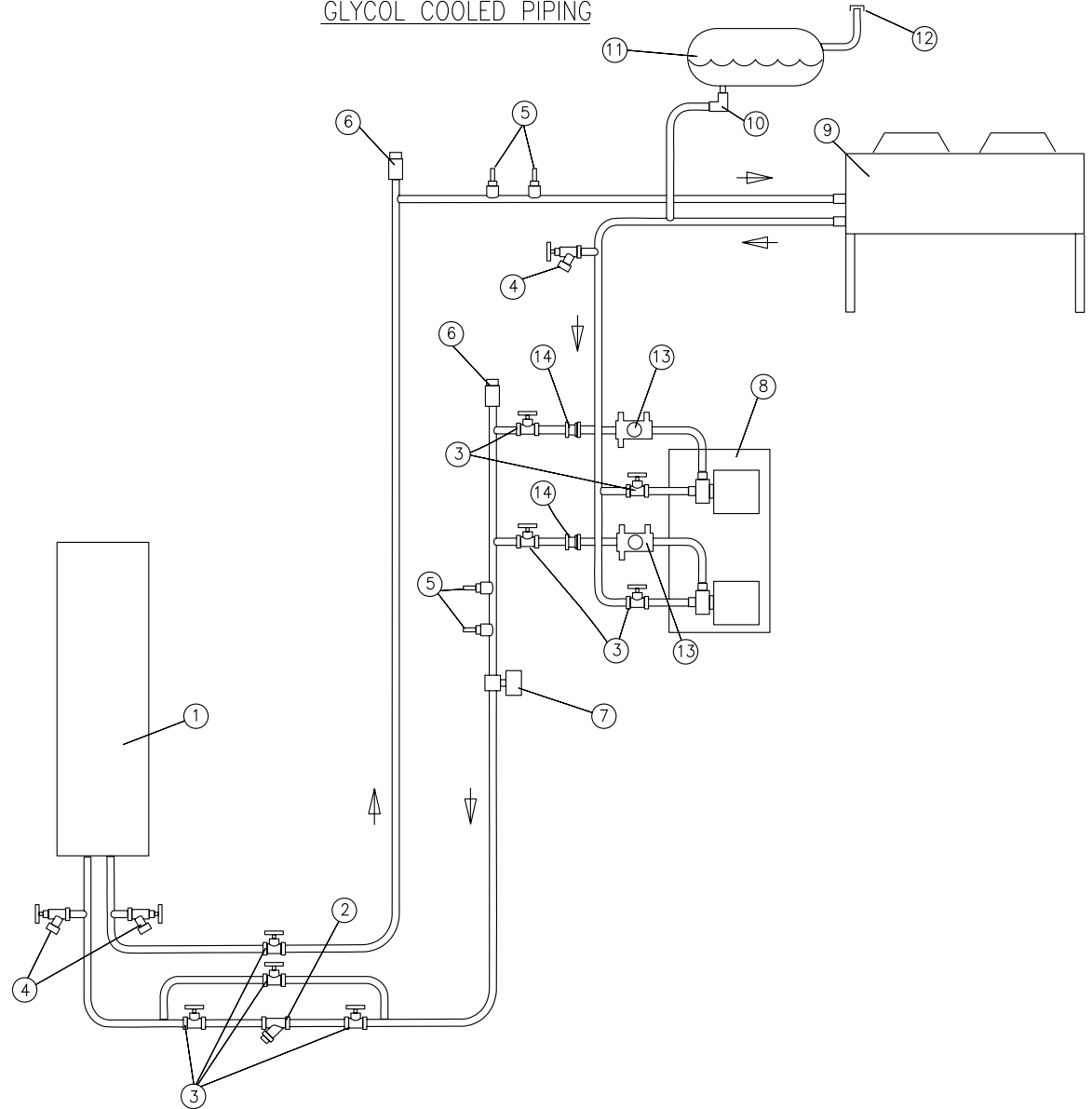
REV. 0
THIRD ANGLE PROJECTION

BOTTOM PIPING SHOWN

WATER COOLED PIPING



GLYCOL COOLED PIPING



- ① Uniflair-DX
- ② Strainer*
- ③ Gate Valve*
- ④ Hose bib*
- ⑤ Temperature & Pressure gauges*
- ⑥ Air vent*
- ⑦ Flow switch*
- ⑧ Pump package**
- ⑨ Fluid-cooler
- ⑩ Airtrol fitting*
- ⑪ Expansion Tank*
- ⑫ Tank fill*
- ⑬ Circuit Setter*
- ⑭ Check Valve*

*Field supplied and installed

**Can be procured from Schneider electric or field supplied-Both are field installed.

THIS DRAWING AND SPECIFICATIONS HEREIN ARE THE PROPERTY OF SCHNEIDER ELECTRIC AND SHALL NOT BE COPIED, REPRODUCED OR USED IN WHOLE OR IN PART, AS THE BASIS FOR THE MANUFACTURE OR SALE OF ITEMS WITHOUT WRITTEN PERMISSION FROM SCHNEIDER ELECTRIC. THIS DRAWING IS BASED UPON LATEST AVAILABLE INFORMATION AND IS SUBJECT TO CHANGE WITHOUT NOTICE.



TITLE: COOLING SOLUTIONS
UNIFLAIR-DX, FLUID COOLERS
47kW, 208-230V, 3Ph, 60Hz
110F/120F
PIPING DIAGRAM-SCHMATIC

DWG NO: ACFC75264

REV. 0

DRAWN BY: K.NAGENDRA 28-SEP-12

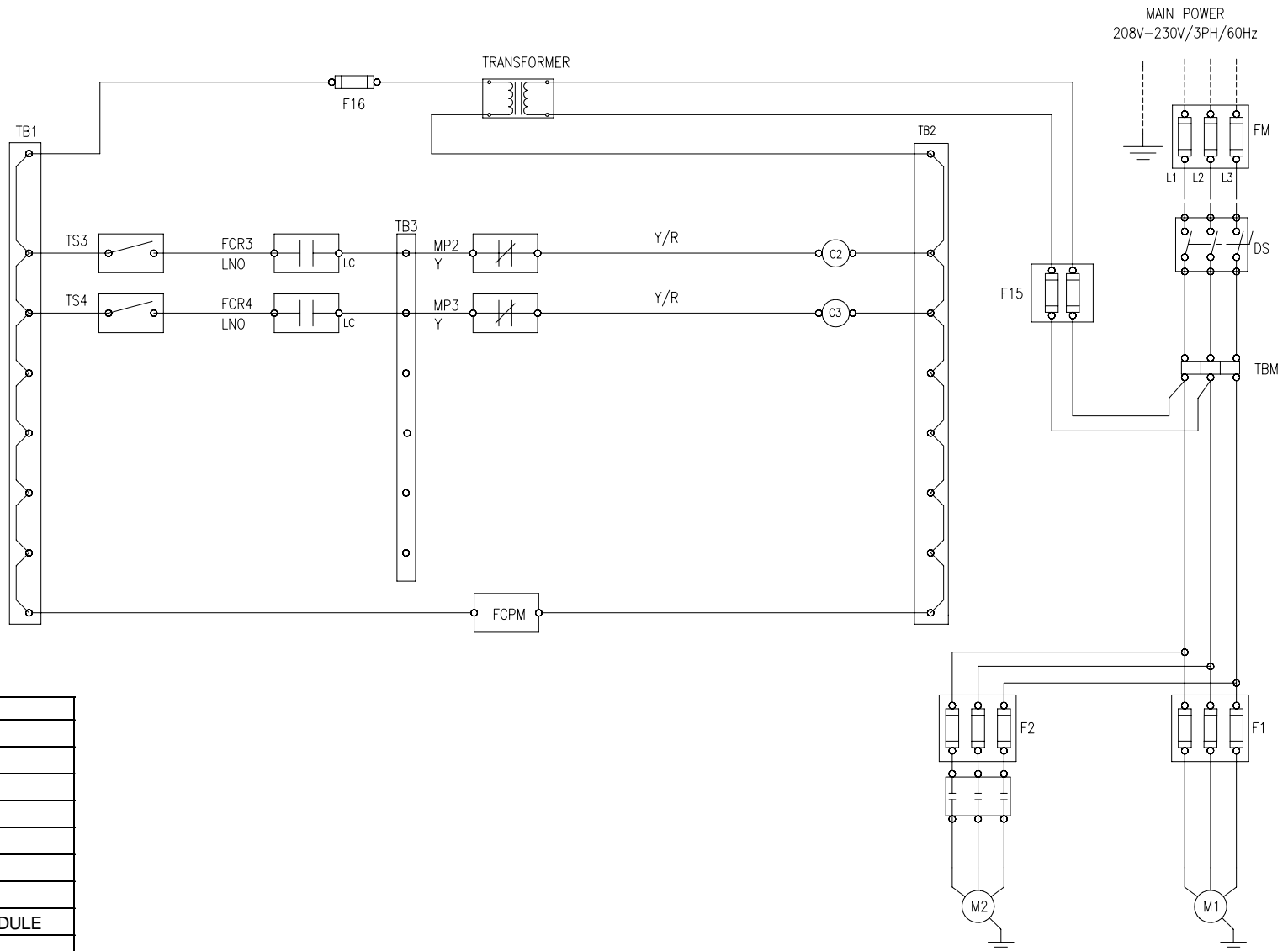
THIRD ANGLE

ENGINEER: K.BAER 28-SEP-12

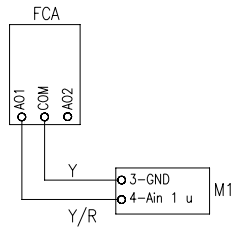
PROJECT: DRAWINGS SHEET 3 OF 5

APPROVED BY: C.CUMMISKEY 28-SEP-12

PROJECTION



FAN MOTOR IDENTIFICATION
M3 M2 M1 HEADER END



NAME	DISCREPTION
M	FAN MOTOR
C	CONTACTOR
F	FUSE
TB	TERMINAL BLOCK
MP	MOTOR PROTECTOR
FCR	FAN CYCLE (RELAY)
FCA	FAN CYCLE (ANALOG)
FCPM	FAN CYCLE POWER MODULE
DS	DISCONNECT SWITCH
TS	TOGGLE SWITCH

THIS DRAWING AND SPECIFICATIONS HEREIN ARE THE PROPERTY OF SCHNEIDER ELECTRIC AND SHALL NOT BE COPIED, REPRODUCED OR USED IN WHOLE OR IN PART, AS THE BASIS FOR THE MANUFACTURE OR SALE OF ITEMS WITHOUT WRITTEN PERMISSION FROM SCHNEIDER ELECTRIC. THIS DRAWING IS BASED UPON LATEST AVAILABLE INFORMATION AND IS SUBJECT TO CHANGE WITHOUT NOTICE.



TITLE: COOLING SOLUTIONS
UNIFLAI-R-DX, FLUID COOLERS
47kW, 208-230V, 3Ph, 60Hz
110F/120F
WIRING DIAGRAM

DWG NO: ACFC75264

REV. 0

DRAWN BY: K.NAGENDRA 28-SEP-12

THIRD

ENGINEER: K.BAER 28-SEP-12

ANGLE

PROJECT: DRAWINGS SHEET 4 OF 5

APPROVED BY: C.CUMMISKEY 28-SEP-12

PROJECTION

SKU#	Voltage/Ph/Frequency	Air Flow	
		CFM	L/s
ACFC75264	208-230/3/60	9350	4410

SKU#	Voltage/Ph/Frequency	Fans	Circuits	Connection (in.)
		Qty	Qty.	
ACFC75264	208-230/3/60	2	14	1.5

SKU#	Voltage/Ph/Frequency	Volume	
		Gal	L
ACFC75264	208-230/3/60	8.3	31.5

SKU#	Voltage/Ph/Frequency	Electrical Data			
		FLA	MCA	MOP	SCCR
ACFC75264	208-230/3/60	6.6	9.0	12	5 kA

THIS DRAWING AND SPECIFICATIONS HEREIN ARE THE PROPERTY OF SCHNEIDER ELECTRIC AND SHALL NOT BE COPIED, REPRODUCED OR USED IN WHOLE OR IN PART, AS THE BASIS FOR THE MANUFACTURE OR SALE OF ITEMS WITHOUT WRITTEN PERMISSION FROM SCHNEIDER ELECTRIC. THIS DRAWING IS BASED UPON LATEST AVAILABLE INFORMATION AND IS SUBJECT TO CHANGE WITHOUT NOTICE.



TITLE: COOLING SOLUTIONS
UNIFLAI-R-DX, FLUID COOLERS
47kW, 208-230V, 3Ph, 60Hz
110F/120F
TECHNICAL DATA

DWG NO: ACFC75264

REV. 0

DRAWN BY: K.NAGENDRA 31-AUG-12

ENGINEER: K.BAER 31-AUG-12

PROJECT: DRAWINGS SHEET 5 OF 5

APPROVED BY: C.CUMMISKEY 31-AUG-12

THIRD
ANGLE
PROJECTION