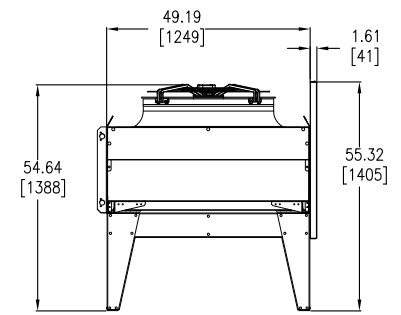
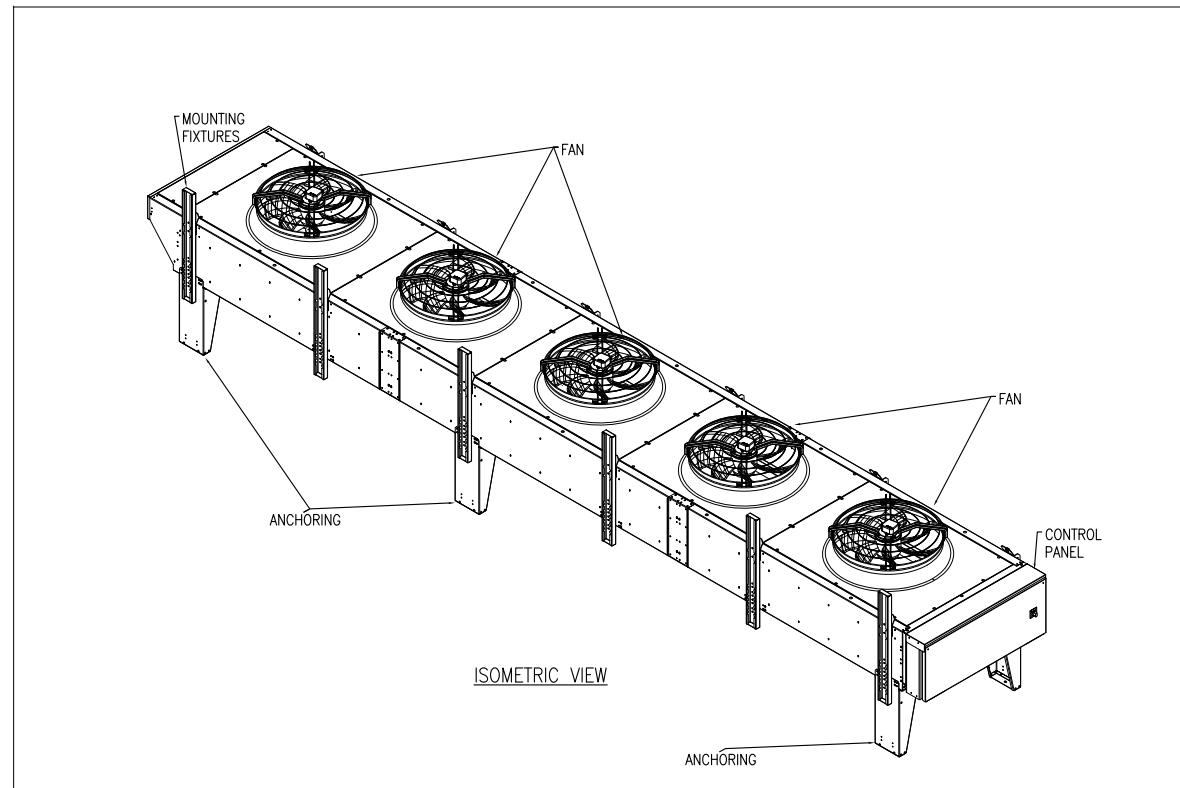


FRONT VIEW



RIGHT SIDE VIEW



ISOMETRIC VIEW

NOTES:

1. INSTALLATION SHALL COMPLY WITH ALL APPLICABLE NATIONAL, STATE AND LOCAL CODES.
2. PLEASE REFER TO PRODUCT MANUALS PRIOR TO INSTALLATION AND SITE PREPARATION WORK FOR FURTHER DETAILS..
3. ALL DIMENSIONS ARE IN INCHES [MILLIMETERS].
4. WEIGHT OF THE UNIT :

SKU#	Weight	
	Lbs	kg
ACFC75275	2126	966.5

THIS DRAWING AND SPECIFICATIONS HEREIN ARE THE PROPERTY OF SCHNEIDER ELECTRIC AND SHALL NOT BE COPIED, REPRODUCED OR USED IN WHOLE OR IN PART, AS THE BASIS FOR THE MANUFACTURE OR SALE OF ITEMS WITHOUT WRITTEN PERMISSION FROM SCHNEIDER ELECTRIC. THIS DRAWING IS BASED UPON LATEST AVAILABLE INFORMATION AND IS SUBJECT TO CHANGE WITHOUT NOTICE.



TITLE: COOLING SOLUTIONS  
UNIFLAIR-DX, FLUID COOLERS  
233kW, 460-480V, 3Ph, 60Hz  
110F/120F  
MAIN MECHANICAL

PROJECT: DRAWINGS SHEET 1 OF 5

DWG NO: ACFC75275

DRAWN BY: K.NAGENDRA 29-SEP-12

ENGINEER: K.BAER 29-SEP-12

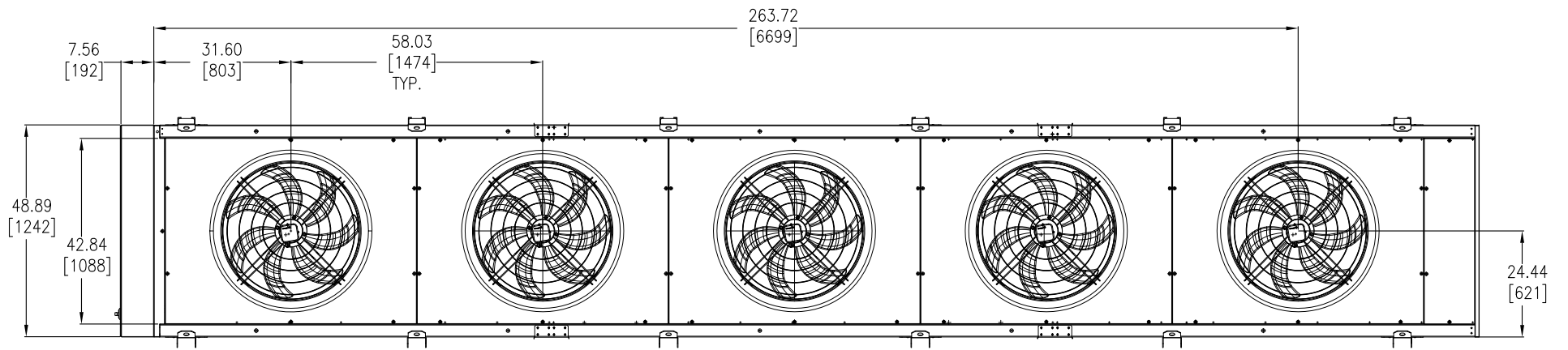
APPROVED BY: C.CUMMISKEY 29-SEP-12

REV. 0

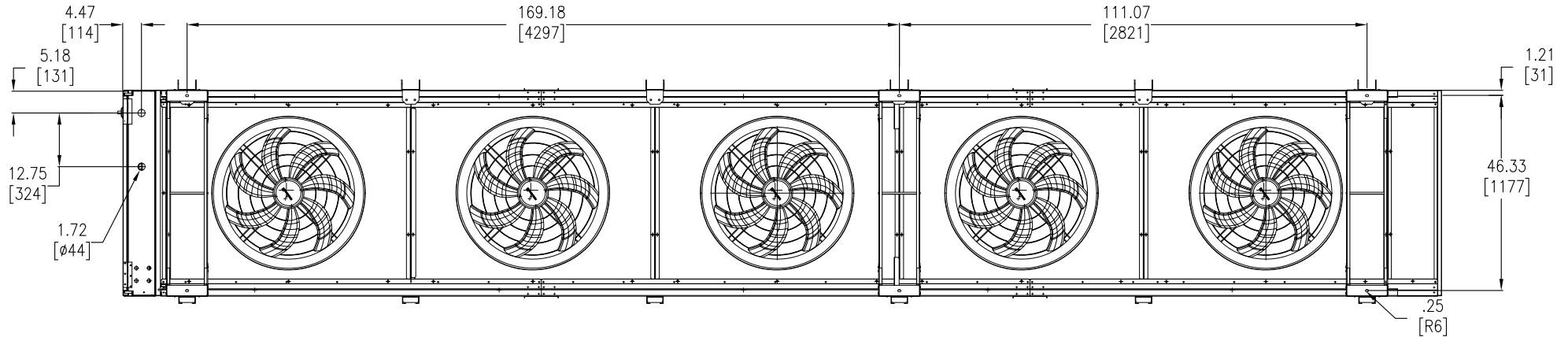
THIRD

ANGLE

PROJECTION



TOP VIEW



BOTTOM VIEW (ANCHORING)

**NOTES:**

1. INSTALLATION SHALL COMPLY WITH ALL APPLICABLE NATIONAL, STATE AND LOCAL CODES.
2. PLEASE REFER TO PRODUCT MANUALS PRIOR TO INSTALLATION AND SITE PREPARATION WORK FOR FURTHER DETAILS.
3. ALL DIMENSIONS ARE IN INCHES [MILLIMETERS].
4. SOME STRUCTURAL DETAILS HAVE BEEN OMITTED FOR THE PURPOSE OF CLARITY.

THIS DRAWING AND SPECIFICATIONS HEREIN ARE THE PROPERTY OF SCHNEIDER ELECTRIC AND SHALL NOT BE COPIED, REPRODUCED OR USED IN WHOLE OR IN PART, AS THE BASIS FOR THE MANUFACTURE OR SALE OF ITEMS WITHOUT WRITTEN PERMISSION FROM SCHNEIDER ELECTRIC. THIS DRAWING IS BASED UPON LATEST AVAILABLE INFORMATION AND IS SUBJECT TO CHANGE WITHOUT NOTICE.



TITLE: COOLING SOLUTIONS  
UNIFLAI-DX, FLUID COOLERS  
233kW, 460-480V, 3Ph, 60Hz  
110F/120F  
TOP AND BOTTOM VIEW (ANCHORING)

DWG NO: ACFC75275

REV. 0

DRAWN BY: K.NAGENDRA 29-SEP-12

THIRD

ENGINEER: K.BAER 29-SEP-12

ANGLE

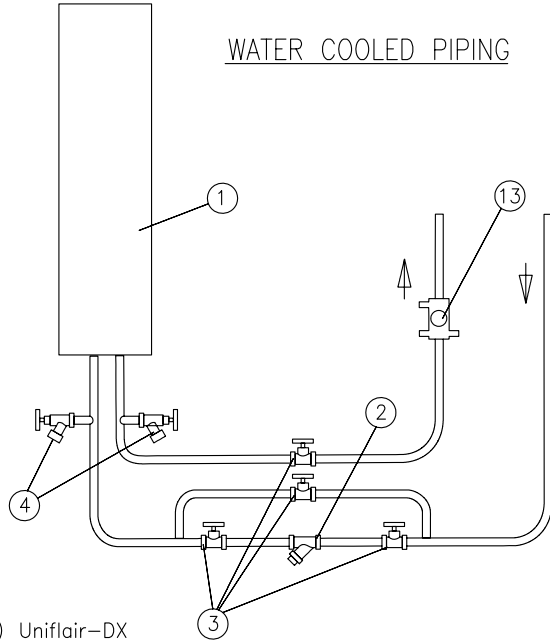
PROJECT: DRAWINGS SHEET 2 OF 5

APPROVED BY: C.CUMMISKEY 29-SEP-12

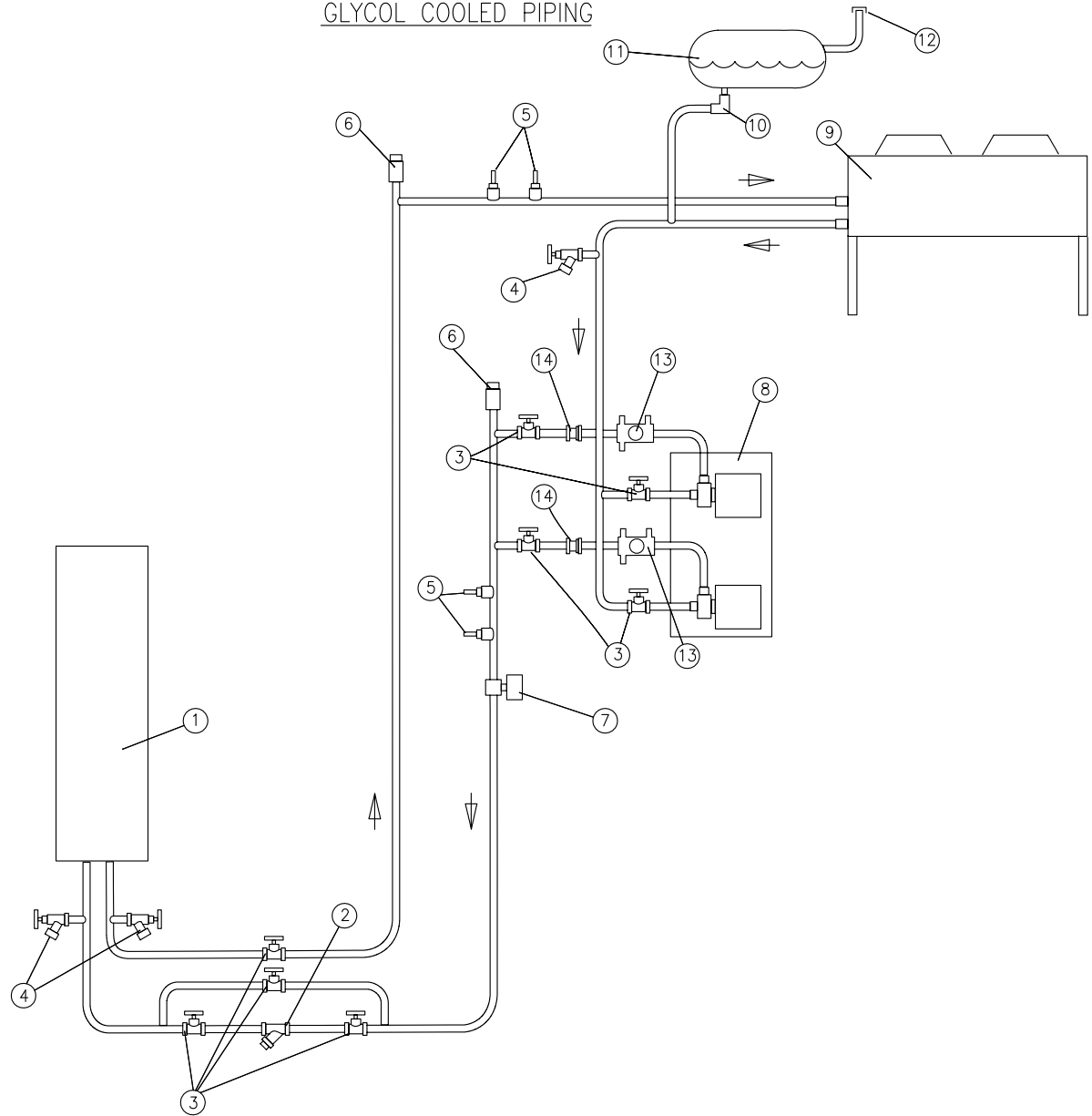
PROJECTION

# BOTTOM PIPING SHOWN

## WATER COOLED PIPING



## GLYCOL COOLED PIPING



- ① Uniflair-DX
- ② Strainer\*
- ③ Gate Valve\*
- ④ Hose bib\*
- ⑤ Temperature & Pressure gauges\*
- ⑥ Air vent\*
- ⑦ Flow switch\*
- ⑧ Pump package\*\*
- ⑨ Fluid-cooler
- ⑩ Airtrol fitting\*
- ⑪ Expansion Tank\*
- ⑫ Tank fill\*
- ⑬ Circuit Setter\*
- ⑭ Check Valve\*

\*Field supplied and installed

\*\*Can be procured from Schneider electric or field supplied—Both are field installed.

THIS DRAWING AND SPECIFICATIONS HEREIN ARE THE PROPERTY OF SCHNEIDER ELECTRIC AND SHALL NOT BE COPIED, REPRODUCED OR USED IN WHOLE OR IN PART, AS THE BASIS FOR THE MANUFACTURE OR SALE OF ITEMS WITHOUT WRITTEN PERMISSION FROM SCHNEIDER ELECTRIC. THIS DRAWING IS BASED UPON LATEST AVAILABLE INFORMATION AND IS SUBJECT TO CHANGE WITHOUT NOTICE.



TITLE: COOLING SOLUTIONS  
UNIFLAIR-DX, FLUID COOLERS  
233kW, 460-480V, 3Ph, 60Hz  
110F/120F  
PIPING DIAGRAM

PROJECT: DRAWINGS SHEET 3 OF 5

DWG NO: ACFC75275

DRAWN BY: K.NAGENDRA 29-SEP-12

ENGINEER: K.BAER 29-SEP-12

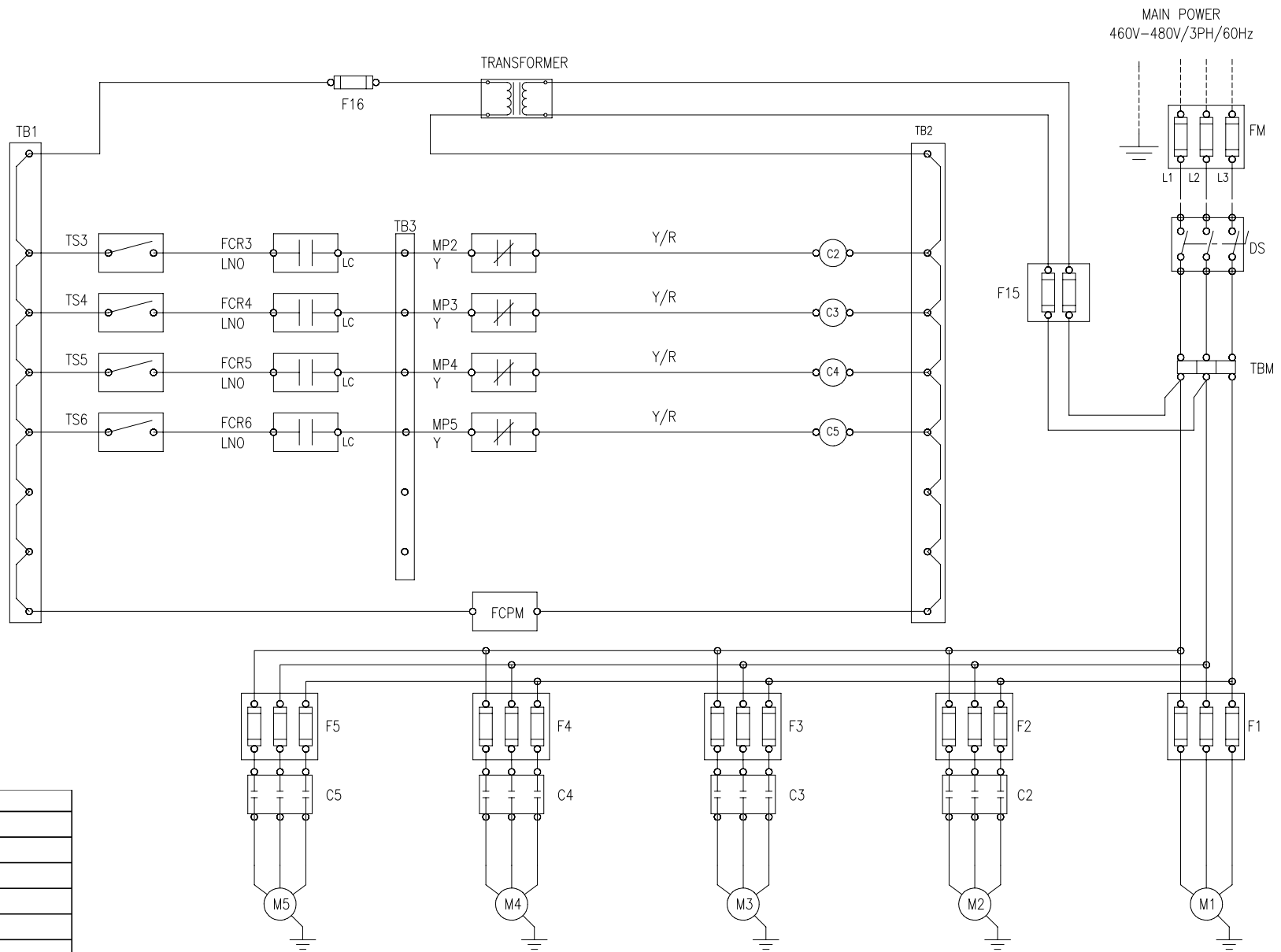
APPROVED BY: C.CUMMISKEY 29-SEP-12

REV. 0

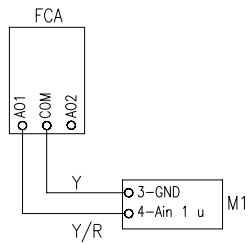
THIRD

ANGLE

PROJECTION



FAN MOTOR IDENTIFICATION  
M5 M4 M3 M2 M1 HEADER END



NAME	DISCREPTION
M	FAN MOTOR
C	CONTACTOR
F	FUSE
TB	TERMINAL BLOCK
MP	MOTOR PROTECTOR
FCR	FAN CYCLE (RELAY)
FCA	FAN CYCLE (ANALOG)
FCPM	FAN CYCLE POWER MODULE
DS	DISCONNECT SWITCH
TS	TOGGLE SWITCH

THIS DRAWING AND SPECIFICATIONS HEREIN ARE THE PROPERTY OF SCHNEIDER ELECTRIC AND SHALL NOT BE COPIED, REPRODUCED OR USED IN WHOLE OR IN PART, AS THE BASIS FOR THE MANUFACTURE OR SALE OF ITEMS WITHOUT WRITTEN PERMISSION FROM SCHNEIDER ELECTRIC. THIS DRAWING IS BASED UPON LATEST AVAILABLE INFORMATION AND IS SUBJECT TO CHANGE WITHOUT NOTICE.



TITLE: COOLING SOLUTIONS  
UNIFLAI-R-DX, FLUID COOLERS  
233kW, 460-480V, 3Ph, 60Hz  
110F/120F  
WIRING DIAGRAM

PROJECT: DRAWINGS SHEET 4 OF 5

DWG NO: ACFC75275

DRAWN BY: K NAGENDRA/S CUNHA 20-DEC-12

ENGINEER: K BAER/D MOODY 20-DEC-12

APPROVED BY: C CUMMISKEY/K BAER 20-DEC-12

REV. 1

THIRD

ANGLE

PROJECTION

SKU#	Voltage/Ph/Frequency	Air Flow	
		CFM	L/s
ACFC75275	460-480/3/60	53660	25320

SKU#	Voltage/Ph/Frequency	Fans	Circuits	Connection (in.)
		Qty	Qty.	
ACFC75275	460-480/3/60	5	38	3.0

SKU#	Voltage/Ph/Frequency	Electrical Data			
		FLA	MCA	MOP	SCCR
ACFC75275	460-480/3/60	18.0	20.0	24	5 kA

SKU#	Voltage/Ph/Frequency	Volume	
		Gal	L
ACFC75275	460-480/3/60	49.5	187.5

THIS DRAWING AND SPECIFICATIONS HEREIN ARE THE PROPERTY OF SCHNEIDER ELECTRIC AND SHALL NOT BE COPIED, REPRODUCED OR USED IN WHOLE OR IN PART, AS THE BASIS FOR THE MANUFACTURE OR SALE OF ITEMS WITHOUT WRITTEN PERMISSION FROM SCHNEIDER ELECTRIC. THIS DRAWING IS BASED UPON LATEST AVAILABLE INFORMATION AND IS SUBJECT TO CHANGE WITHOUT NOTICE.



TITLE: COOLING SOLUTIONS  
UNIFLAI-DX, FLUID COOLERS  
233kW, 460-480V, 3Ph, 60Hz  
110F/120F  
TECHNICAL DATA  
PROJECT: DRAWINGS SHEET 5 OF 5

DWG NO:	ACFC75275	REV.	0
DRAWN BY:	K.NAGENDRA	29-SEP-12	THIRD
ENGINEER:	K.BAER	29-SEP-12	ANGLE
APPROVED BY:	C.CUMMISKEY	29-SEP-12	PROJECTION