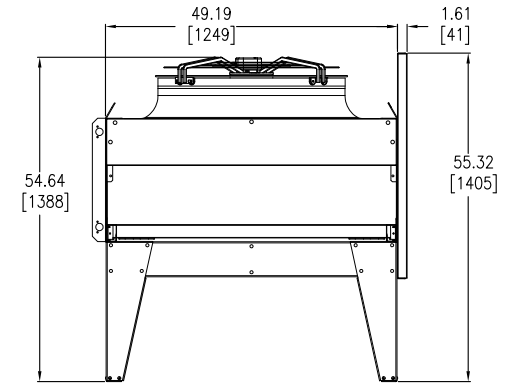
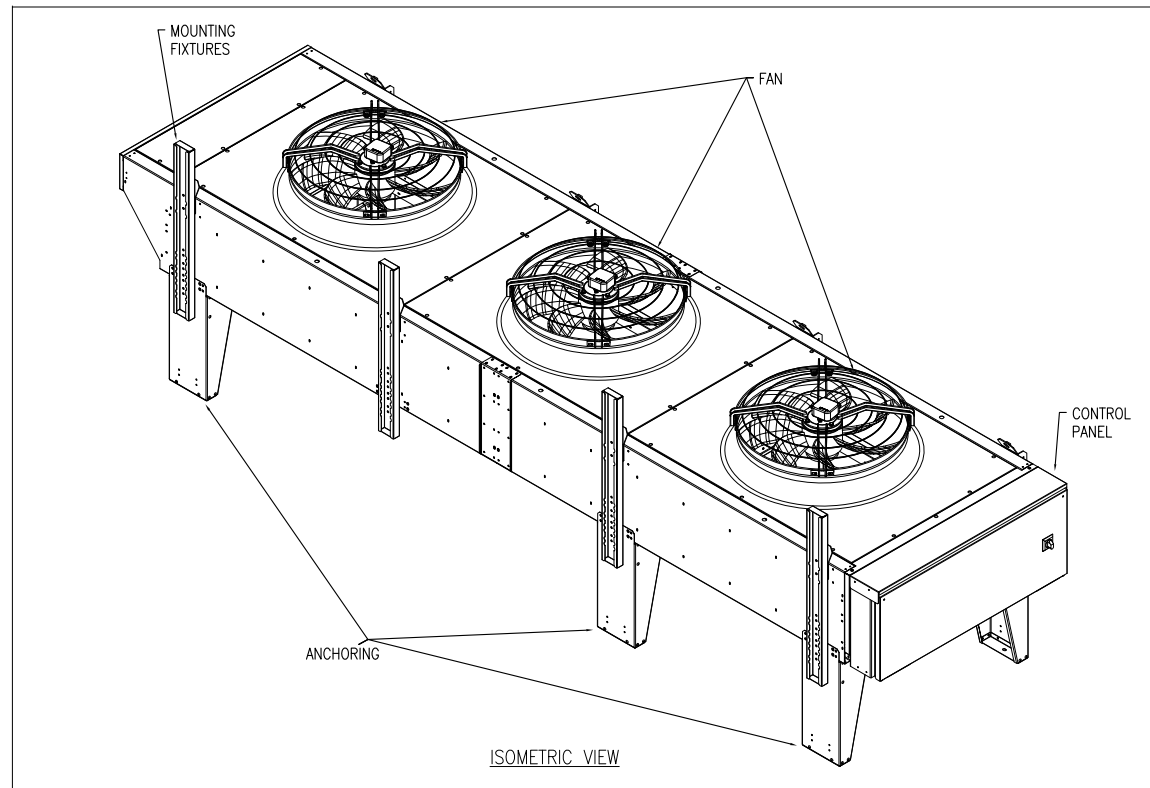


FRONT VIEW



RIGHT SIDE VIEW



ISOMETRIC VIEW

- NOTES:
1. INSTALLATION SHALL COMPLY WITH ALL APPLICABLE NATIONAL, STATE AND LOCAL CODES.
  2. PLEASE REFER TO PRODUCT MANUALS PRIOR TO INSTALLATION AND SITE PREPARATION WORK FOR FURTHER DETAILS..
  3. ALL DIMENSIONS ARE IN INCHES [MILLIMETERS].
  4. WEIGHT OF THE UNIT :

SKU#	Weight	
	Lbs	kg
ACFC75270	1436	651

THIS DRAWING AND SPECIFICATIONS HEREIN ARE THE PROPERTY OF SCHNEIDER ELECTRIC AND SHALL NOT BE COPIED, REPRODUCED OR USED IN WHOLE OR IN PART, AS THE BASIS FOR THE MANUFACTURE OR SALE OF ITEMS WITHOUT WRITTEN PERMISSION FROM SCHNEIDER ELECTRIC. THIS DRAWING IS BASED UPON LATEST AVAILABLE INFORMATION AND IS SUBJECT TO CHANGE WITHOUT NOTICE.



TITLE: COOLING SOLUTIONS  
UNIFLAI-R-DX, FLUID COOLERS  
112kW, 460-480V, 3Ph, 60Hz  
95F/120F  
MAIN MECHANICAL

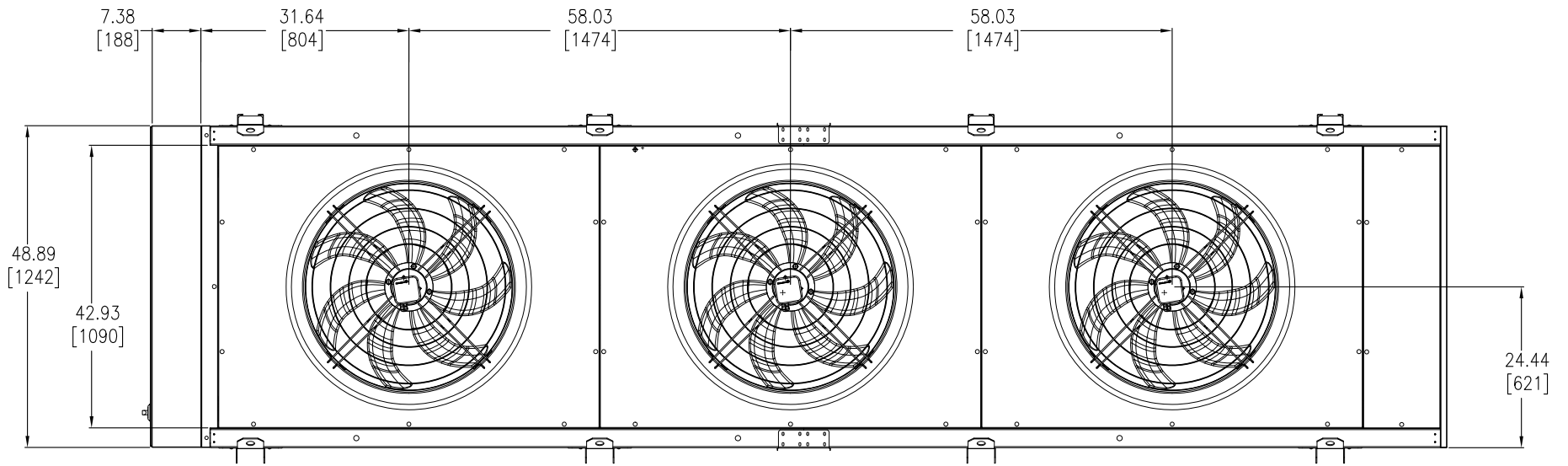
PROJECT: DRAWINGS SHEET 1 OF 5

DWG NO: ACFC75270

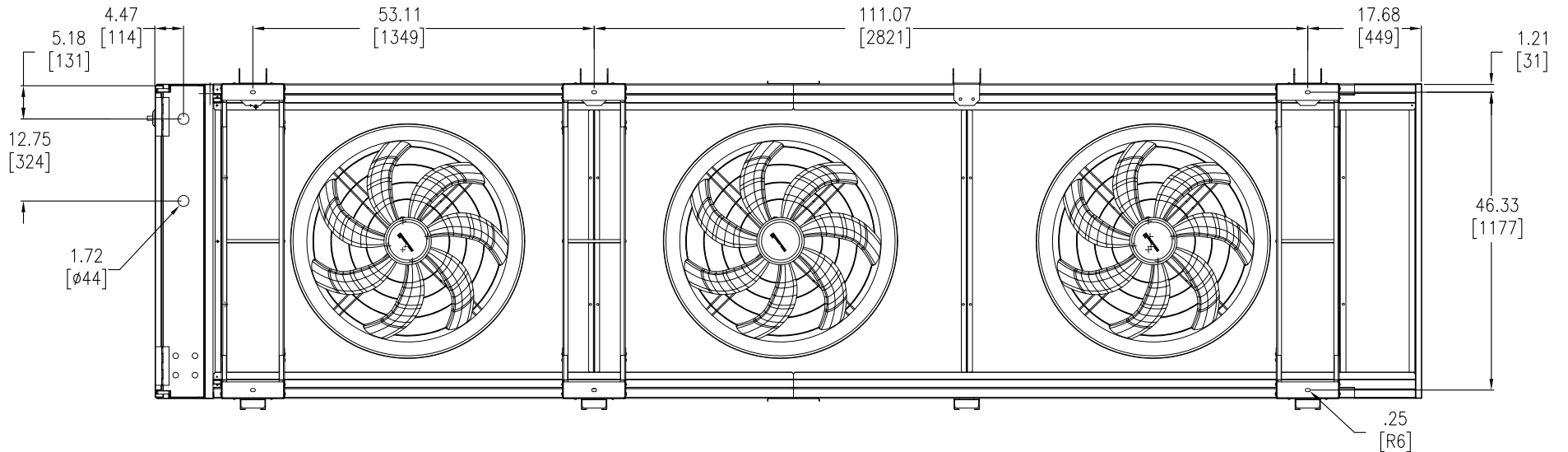
REV. 0  
DRAWN BY: K.NAGENDRA 28-SEP-12 THIRD

ENGINEER: K.BAER 28-SEP-12 ANGLE

APPROVED BY: C.CUMMISKEY 28-SEP-12 PROJECTION



TOP VIEW



BOTTOM VIEW (ANCHORING)

NOTES:

1. INSTALLATION SHALL COMPLY WITH ALL APPLICABLE NATIONAL, STATE AND LOCAL CODES.
2. PLEASE REFER TO PRODUCT MANUALS PRIOR TO INSTALLATION AND SITE PREPARATION WORK FOR FURTHER DETAILS.
3. ALL DIMENSIONS ARE IN INCHES [MILLIMETERS].
4. SOME STRUCTURAL DETAILS HAVE BEEN OMITTED FOR THE PURPOSE OF CLARITY.

THIS DRAWING AND SPECIFICATIONS HEREIN ARE THE PROPERTY OF SCHNEIDER ELECTRIC AND SHALL NOT BE COPIED, REPRODUCED OR USED IN WHOLE OR IN PART, AS THE BASIS FOR THE MANUFACTURE OR SALE OF ITEMS WITHOUT WRITTEN PERMISSION FROM SCHNEIDER ELECTRIC. THIS DRAWING IS BASED UPON LATEST AVAILABLE INFORMATION AND IS SUBJECT TO CHANGE WITHOUT NOTICE.



TITLE: COOLING SOLUTIONS  
UNIFLAI-DX, FLUID COOLERS  
112kW, 460-480V, 3Ph, 60Hz  
95F/120F  
TOP AND BOTTOM VIEW (ANCHORING)

PROJECT: DRAWINGS SHEET 2 OF 5

DWG NO: ACFC75270

DRAWN BY: K.NAGENDRA 28-SEP-12

ENGINEER: K.BAER 28-SEP-12

APPROVED BY: C.CUMMISKEY 28-SEP-12

REV. 0

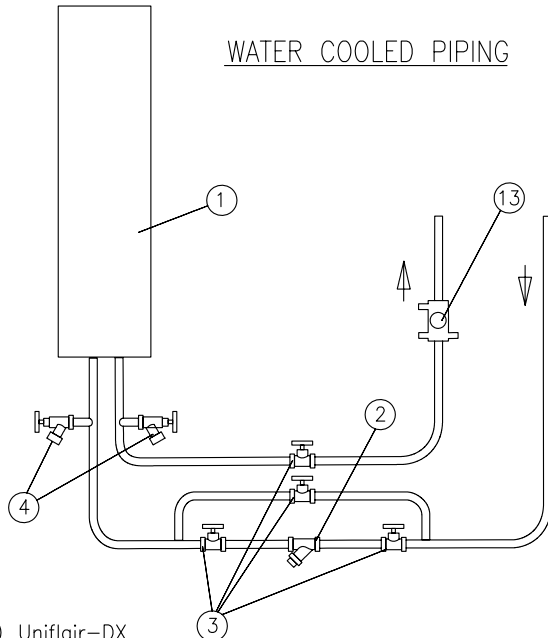
THIRD

ANGLE

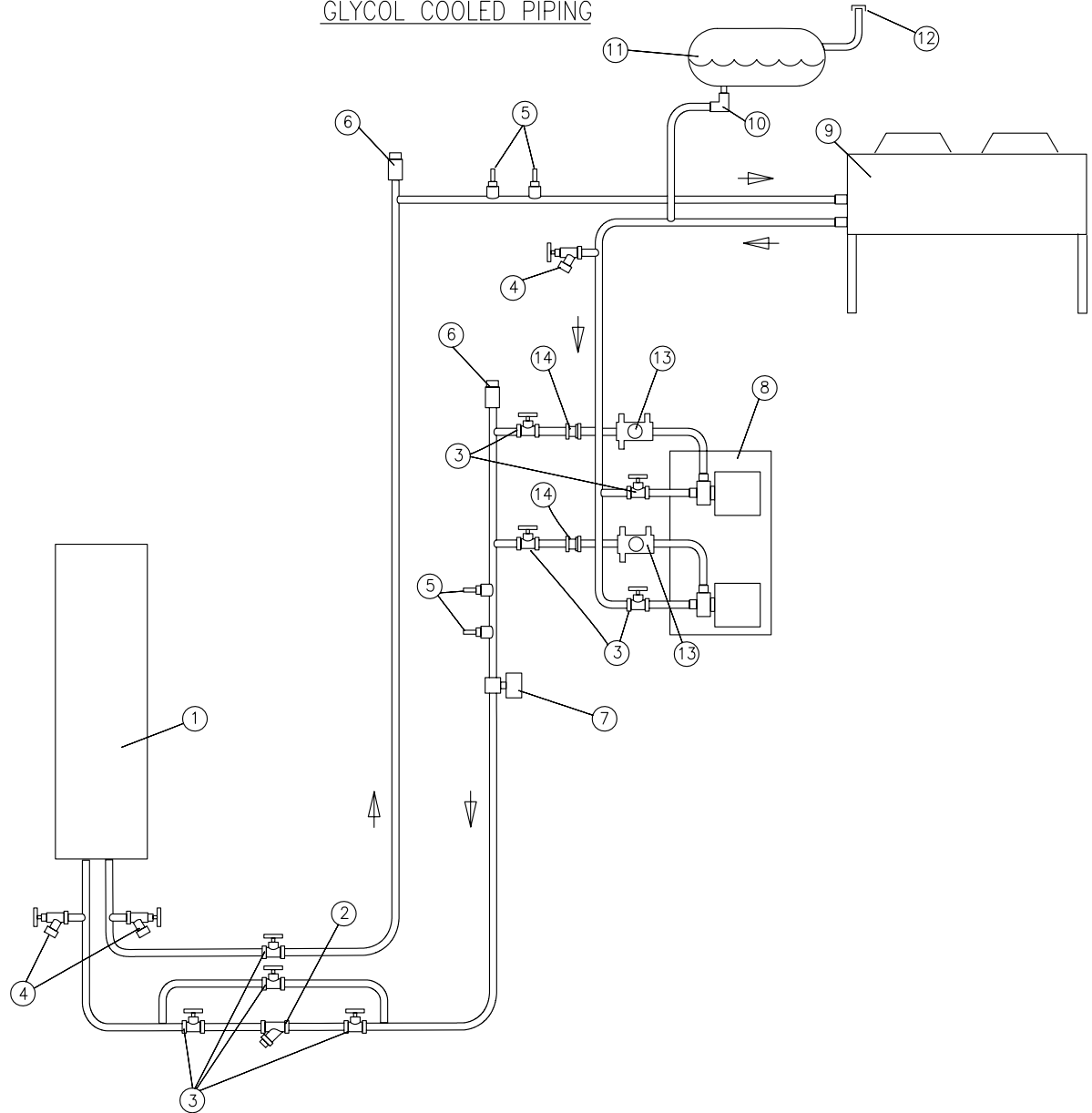
PROJECTION

# BOTTOM PIPING SHOWN

## WATER COOLED PIPING



## GLYCOL COOLED PIPING



- ① Uniflair-DX
- ② Strainer\*
- ③ Gate Valve\*
- ④ Hose bib\*
- ⑤ Temperature & Pressure gauges\*
- ⑥ Air vent\*
- ⑦ Flow switch\*
- ⑧ Pump package\*\*
- ⑨ Fluid-cooler
- ⑩ Airtrol fitting\*
- ⑪ Expansion Tank\*
- ⑫ Tank fill\*
- ⑬ Circuit Setter\*
- ⑭ Check Valve\*

\*Field supplied and installed

\*\*Can be procured from Schneider electric or field supplied—Both are field installed.

THIS DRAWING AND SPECIFICATIONS HEREIN ARE THE PROPERTY OF SCHNEIDER ELECTRIC AND SHALL NOT BE COPIED, REPRODUCED OR USED IN WHOLE OR IN PART, AS THE BASIS FOR THE MANUFACTURE OR SALE OF ITEMS WITHOUT WRITTEN PERMISSION FROM SCHNEIDER ELECTRIC. THIS DRAWING IS BASED UPON LATEST AVAILABLE INFORMATION AND IS SUBJECT TO CHANGE WITHOUT NOTICE.

**Schneider Electric**

TITLE: COOLING SOLUTIONS  
UNIFLAIR-DX, FLUID COOLERS  
112kW, 460-480V, 3Ph, 60Hz  
95F/120F  
PIPING DIAGRAM

PROJECT: DRAWINGS SHEET 3 OF 5

DWG NO: ACFC75270

DRAWN BY: K.NAGENDRA 28-SEP-12

ENGINEER: K.BAER 28-SEP-12

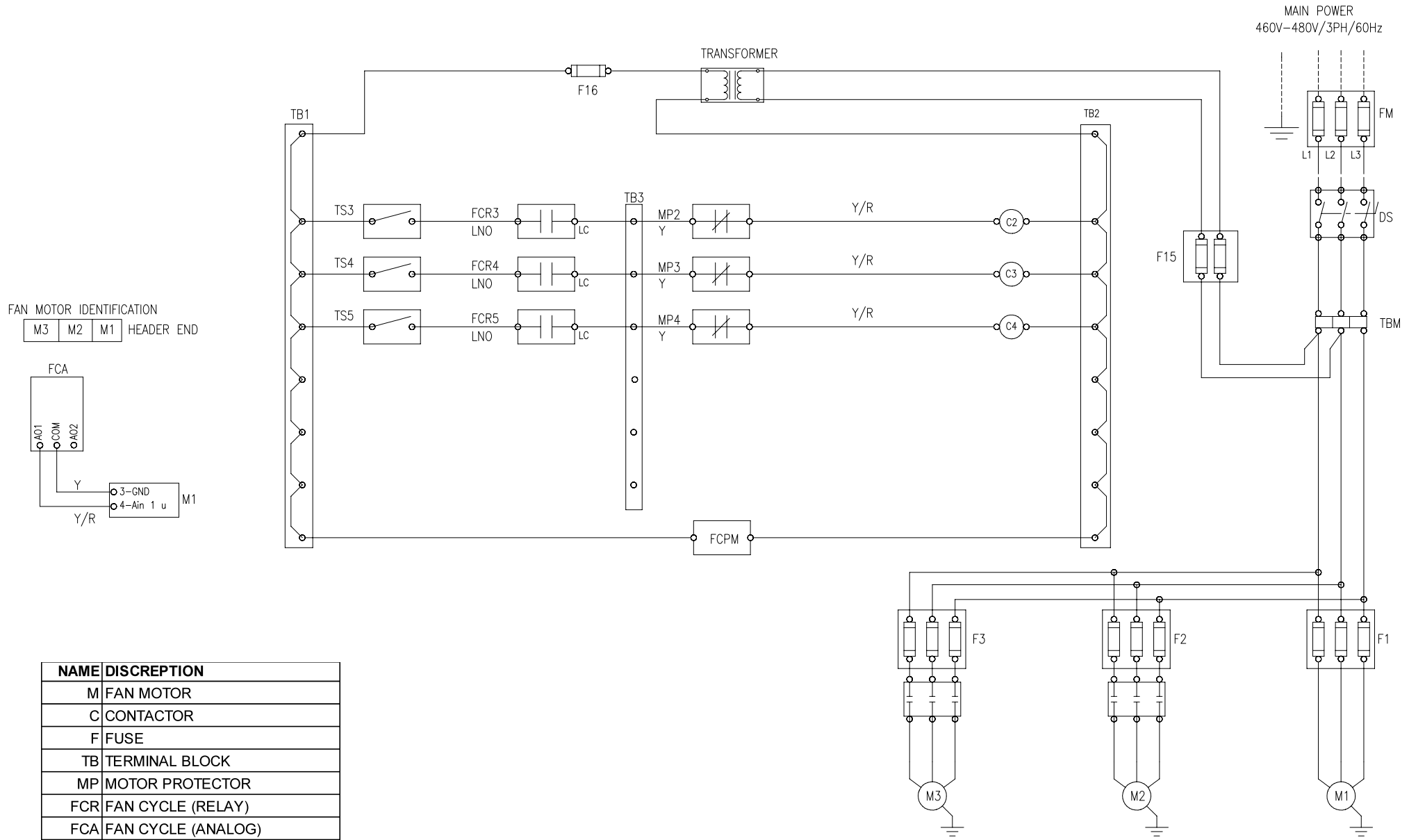
APPROVED BY: C.CUMMISKEY 28-SEP-12

REV. 0

THIRD

ANGLE

PROJECTION



FAN MOTOR IDENTIFICATION  
M3 M2 M1 HEADER END

NAME	DISCREPTION
M	FAN MOTOR
C	CONTACTOR
F	FUSE
TB	TERMINAL BLOCK
MP	MOTOR PROTECTOR
FCR	FAN CYCLE (RELAY)
FCA	FAN CYCLE (ANALOG)
FCPM	FAN CYCLE POWER MODULE
DS	DISCONNECT SWITCH
TS	TOGGLE SWITCH

THIS DRAWING AND SPECIFICATIONS HEREIN ARE THE PROPERTY OF SCHNEIDER ELECTRIC AND SHALL NOT BE COPIED, REPRODUCED OR USED IN WHOLE OR IN PART, AS THE BASIS FOR THE MANUFACTURE OR SALE OF ITEMS WITHOUT WRITTEN PERMISSION FROM SCHNEIDER ELECTRIC. THIS DRAWING IS BASED UPON LATEST AVAILABLE INFORMATION AND IS SUBJECT TO CHANGE WITHOUT NOTICE.



TITLE: COOLING SOLUTIONS  
UNIFLAI-R-DX, FLUID COOLERS  
112kW, 460-480V, 3Ph, 60Hz  
95F/120F  
WIRING DIAGRAM

PROJECT: DRAWINGS SHEET 4 OF 5

DWG NO: ACFC75270

DRAWN BY: K NAGENDRA/S CUNHA	20-DEC-12	THIRD
ENGINEER: K BAER/D MOODY	20-DEC-12	ANGLE
APPROVED BY: C CUMMISKEY/K BAER	20-DEC-12	PROJECTION

REV. 1

SKU#	Voltage/Ph/Frequency	Air Flow	
		CFM	L/s
ACFC75270	460-480/3/60	30030	14170

SKU#	Voltage/Ph/Frequency	Fans	Circuits	Connection (in.)
		Qty	Qty.	
ACFC75270	460-480/3/60	3	20	2.5

SKU#	Voltage/Ph/Frequency	Volume	
		Gal	L
ACFC75270	460-480/3/60	30.6	115.7

SKU#	Voltage/Ph/Frequency	Electrical Data			
		FLA	MCA	MOP	SCCR
ACFC75270	460-480/3/60	10.8	13.0	17	5 kA

THIS DRAWING AND SPECIFICATIONS HEREIN ARE THE PROPERTY OF SCHNEIDER ELECTRIC AND SHALL NOT BE COPIED, REPRODUCED OR USED IN WHOLE OR IN PART, AS THE BASIS FOR THE MANUFACTURE OR SALE OF ITEMS WITHOUT WRITTEN PERMISSION FROM SCHNEIDER ELECTRIC. THIS DRAWING IS BASED UPON LATEST AVAILABLE INFORMATION AND IS SUBJECT TO CHANGE WITHOUT NOTICE.



TITLE: COOLING SOLUTIONS  
UNIFLAI-DX, FLUID COOLERS  
112kW, 460-480V, 3Ph, 60Hz  
95F/120F  
TECHNICAL DATA  
PROJECT: DRAWINGS SHEET 5 OF 5

DWG NO:	ACFC75270	REV.	0
DRAWN BY:	K.NAGENDRA	28-SEP-12	THIRD
ENGINEER:	K.BAER	28-SEP-12	ANGLE
APPROVED BY:	C.CUMMISKEY	28-SEP-12	PROJECTION