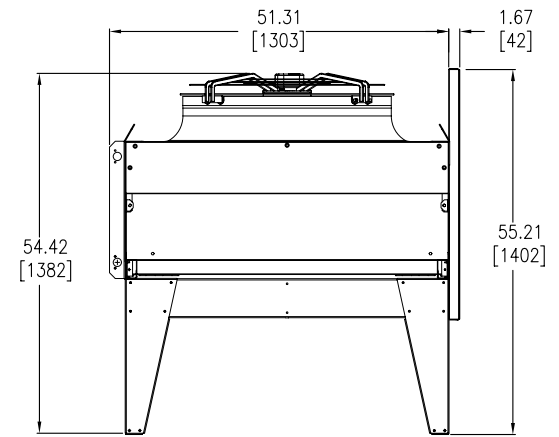
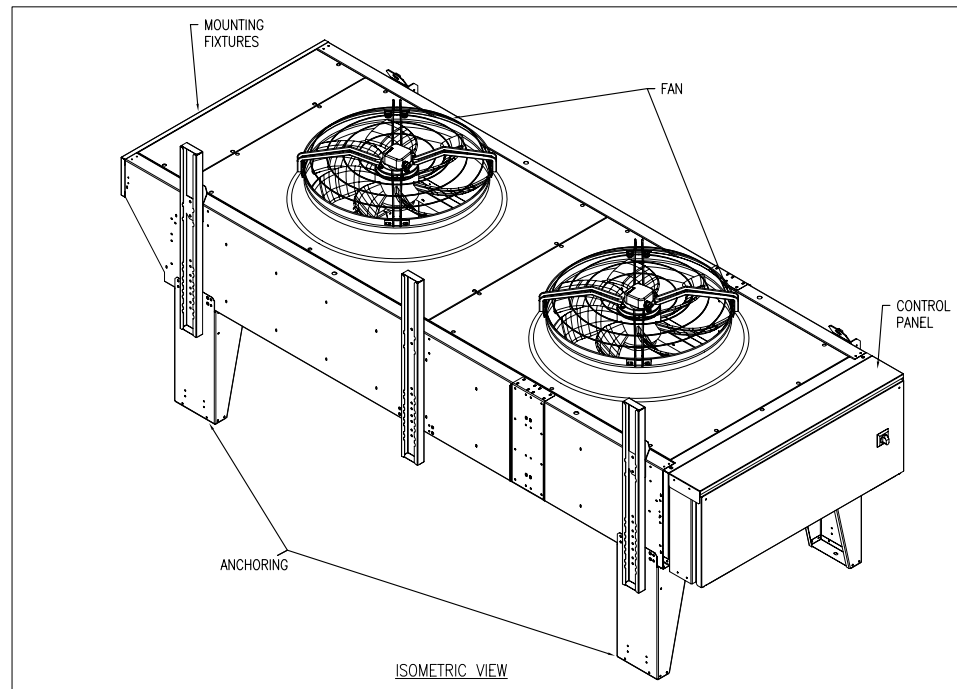


FRONT VIEW



RIGHT SIDE VIEW



ISOMETRIC VIEW

NOTES:

1. INSTALLATION SHALL COMPLY WITH ALL APPLICABLE NATIONAL, STATE AND LOCAL CODES.
2. PLEASE REFER TO PRODUCT MANUALS PRIOR TO INSTALLATION AND SITE PREPARATION WORK FOR FURTHER DETAILS..
3. ALL DIMENSIONS ARE IN INCHES [MILLIMETERS].
4. WEIGHT OF THE UNIT :

SKU#	Weight	
	lbs	kg
ACCD76069	879	399
ACCD76070	870	395

THIS DRAWING AND SPECIFICATIONS HEREIN ARE THE PROPERTY OF SCHNEIDER ELECTRIC AND SHALL NOT BE COPIED, REPRODUCED OR USED IN WHOLE OR IN PART, AS THE BASIS FOR THE MANUFACTURE OR SALE OF ITEMS WITHOUT WRITTEN PERMISSION FROM SCHNEIDER ELECTRIC. THIS DRAWING IS BASED UPON LATEST AVAILABLE INFORMATION AND IS SUBJECT TO CHANGE WITHOUT NOTICE.



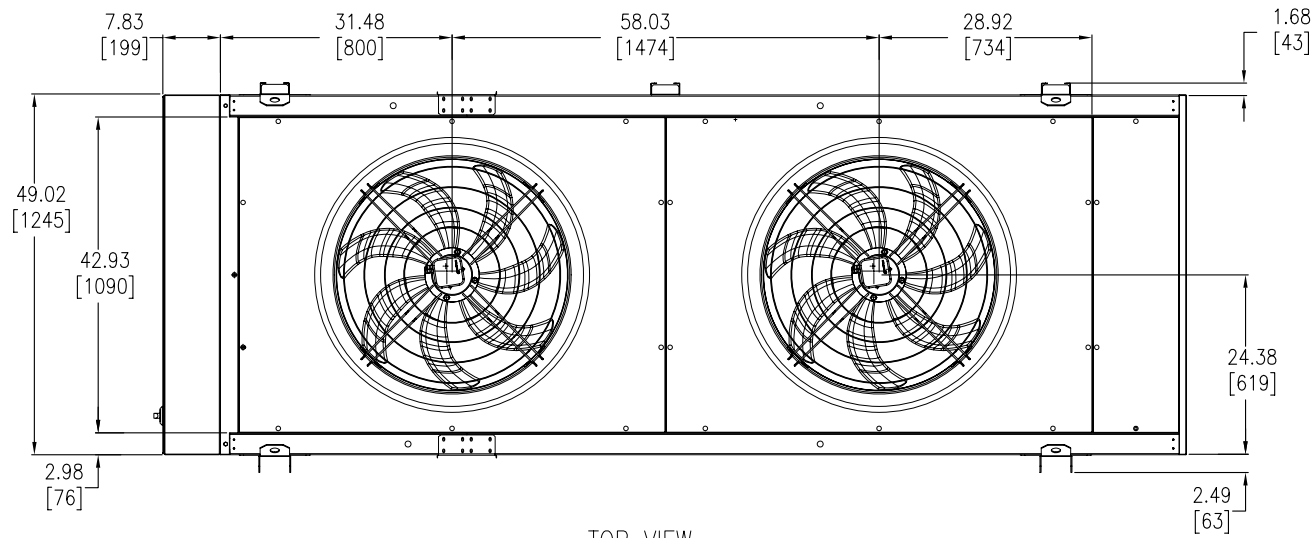
TITLE: COOLING SOLUTIONS  
UNIFLAI-R-DX, CONDENSERS  
127-141kW, 460-480V, 3Ph, 60Hz  
95F/120F  
MAIN MECHANICAL

DWG NO: ACCD76069-70

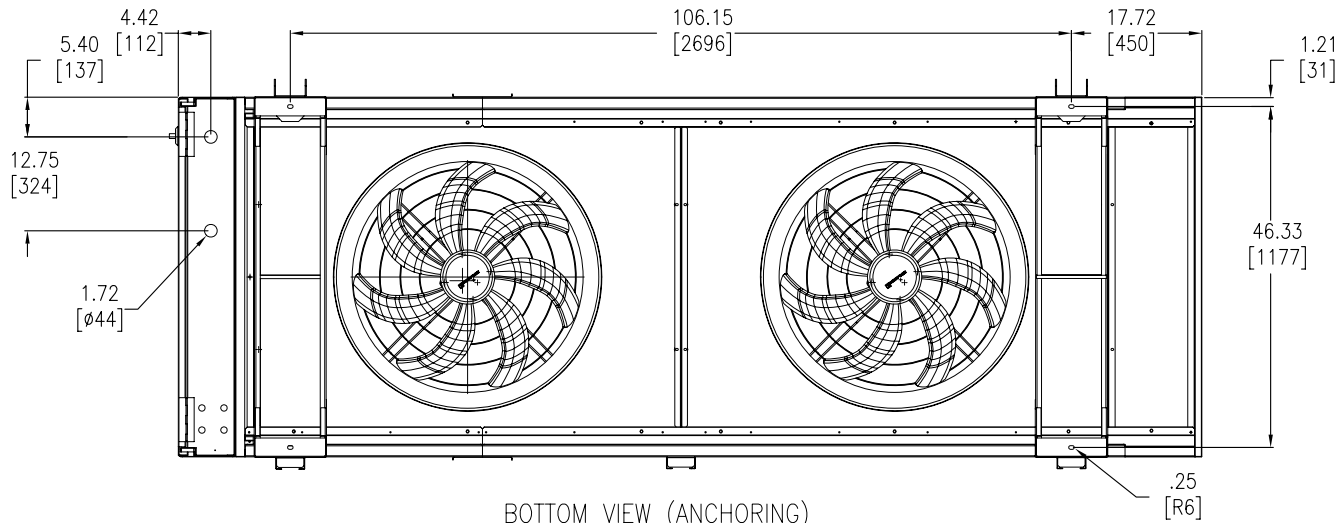
DRAWN BY: K.NAGENDRA 25-SEP-12  
ENGINEER: K.BAER 25-SEP-12

APPROVED BY: C.CUMMSKEY 25-SEP-12

REV: 0  
THIRD ANGLE PROJECTION



TOP VIEW



BOTTOM VIEW (ANCHORING)

**NOTES:**

1. INSTALLATION SHALL COMPLY WITH ALL APPLICABLE NATIONAL, STATE AND LOCAL CODES.
2. PLEASE REFER TO PRODUCT MANUALS PRIOR TO INSTALLATION AND SITE PREPARATION WORK FOR FURTHER DETAILS.
3. ALL DIMENSIONS ARE IN INCHES [MILLIMETERS].
4. SOME STRUCTURAL DETAILS HAVE BEEN OMITTED FOR THE PURPOSE OF CLARITY.

THIS DRAWING AND SPECIFICATIONS HEREIN ARE THE PROPERTY OF SCHNEIDER ELECTRIC AND SHALL NOT BE COPIED, REPRODUCED OR USED IN WHOLE OR IN PART, AS THE BASIS FOR THE MANUFACTURE OR SALE OF ITEMS WITHOUT WRITTEN PERMISSION FROM SCHNEIDER ELECTRIC. THIS DRAWING IS BASED UPON LATEST AVAILABLE INFORMATION AND IS SUBJECT TO CHANGE WITHOUT NOTICE.



TITLE: COOLING SOLUTIONS  
UNIFLAI-R-DX, CONDENSERS  
127-141kW, 460-480V, 3Ph, 60Hz  
95F/120F  
TOP AND BOTTOM VIEW (ANCHORING)

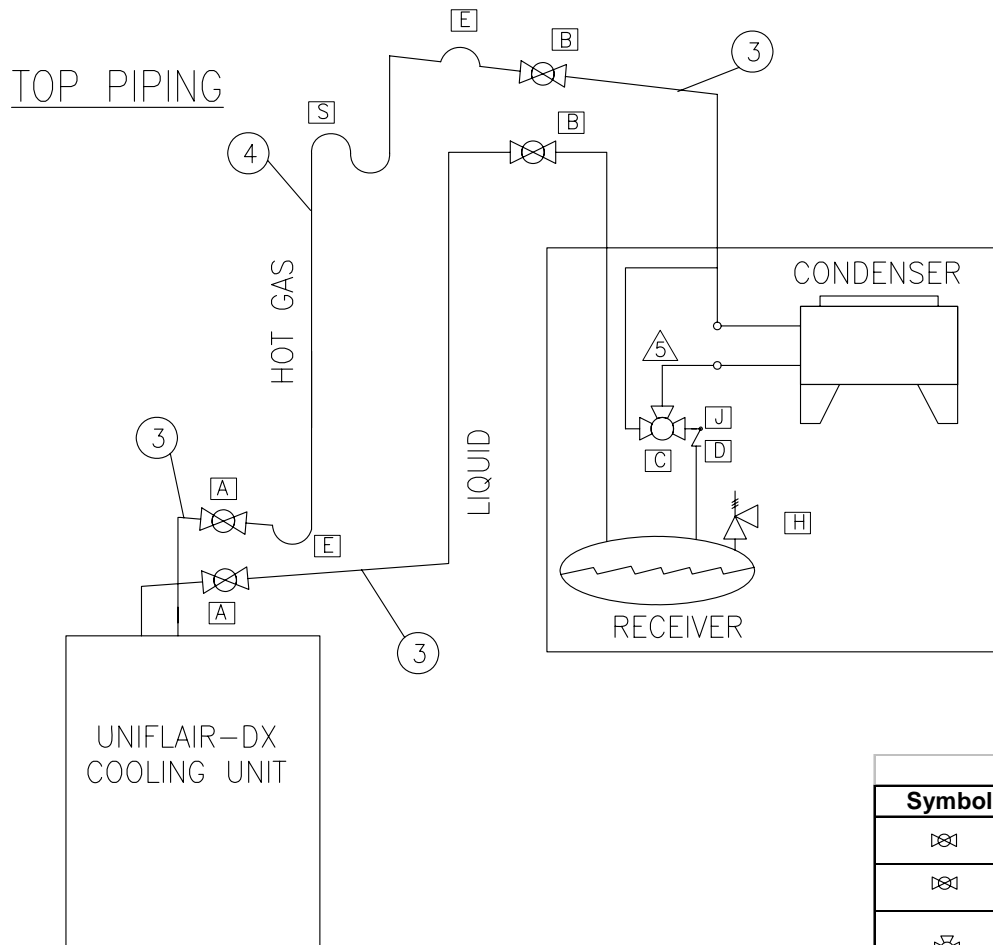
PROJECT: DRAWINGS    SHEET 2 OF 5

DWG NO: ACCD76069-70

DRAWN BY:	K.NAGENDRA	25-SEP-12
ENGINEER:	K.BAER	25-SEP-12
APPROVED BY:	C.CUMMISKEY	25-SEP-12

REV: 0

THIRD ANGLE PROJECTION



FITTINGS AND FIXTURES			
Symbol	Item No.	Item	Provided By
	A	SHUTOFF VALVE	CONTRACTOR
	B	SHUTOFF VALVE	CONTRACTOR
	C&D	HEAD PRESSURE CONTROL VALVE WITH CHECK VALVE	SCHNEIDER ELECTRIC
	E	P-TRAP	CONTRACTOR
	F	S-TRAP	CONTRACTOR
	G	INVERTED TRAP	CONTRACTOR
	H	PRESSURE RELIEF VALVE	SCHNEIDER ELECTRIC
	J	SHRADER VALVE	CONTRACTOR

- NOTES:**
1. INSTALLATION SHALL COMPLY WITH ALL APPLICABLE NATIONAL, STATE AND LOCAL CODES.
  2. PLEASE REFER TO PRODUCT MANUALS PRIOR TO INSTALLATION AND SITE PREPARATION WORK FOR FURTHER DETAILS.
  3. PITCH IN DIRECTION OF REFRIGERANT FLOW  
1/2" PER 10'-0" (4mm PER 1m)
  4. REDUCTION OF PIPING DIAMETER FOR VERTICAL RUN (IF NECESSARY)
  5. CHECK VALVE PROVIDED BY SCHNEIDER ELECTRIC AS A PART OF HEAD PRESSURE CONTROL VALVE ASSEMBLY. SHOWN IN DIAGRAM TO INSURE PROPER ORIENTATION

THIS DRAWING AND SPECIFICATIONS HEREIN ARE THE PROPERTY OF SCHNEIDER ELECTRIC AND SHALL NOT BE COPIED, REPRODUCED OR USED IN WHOLE OR IN PART, AS THE BASIS FOR THE MANUFACTURE OR SALE OF ITEMS WITHOUT WRITTEN PERMISSION FROM SCHNEIDER ELECTRIC. THIS DRAWING IS BASED UPON LATEST AVAILABLE INFORMATION AND IS SUBJECT TO CHANGE WITHOUT NOTICE.

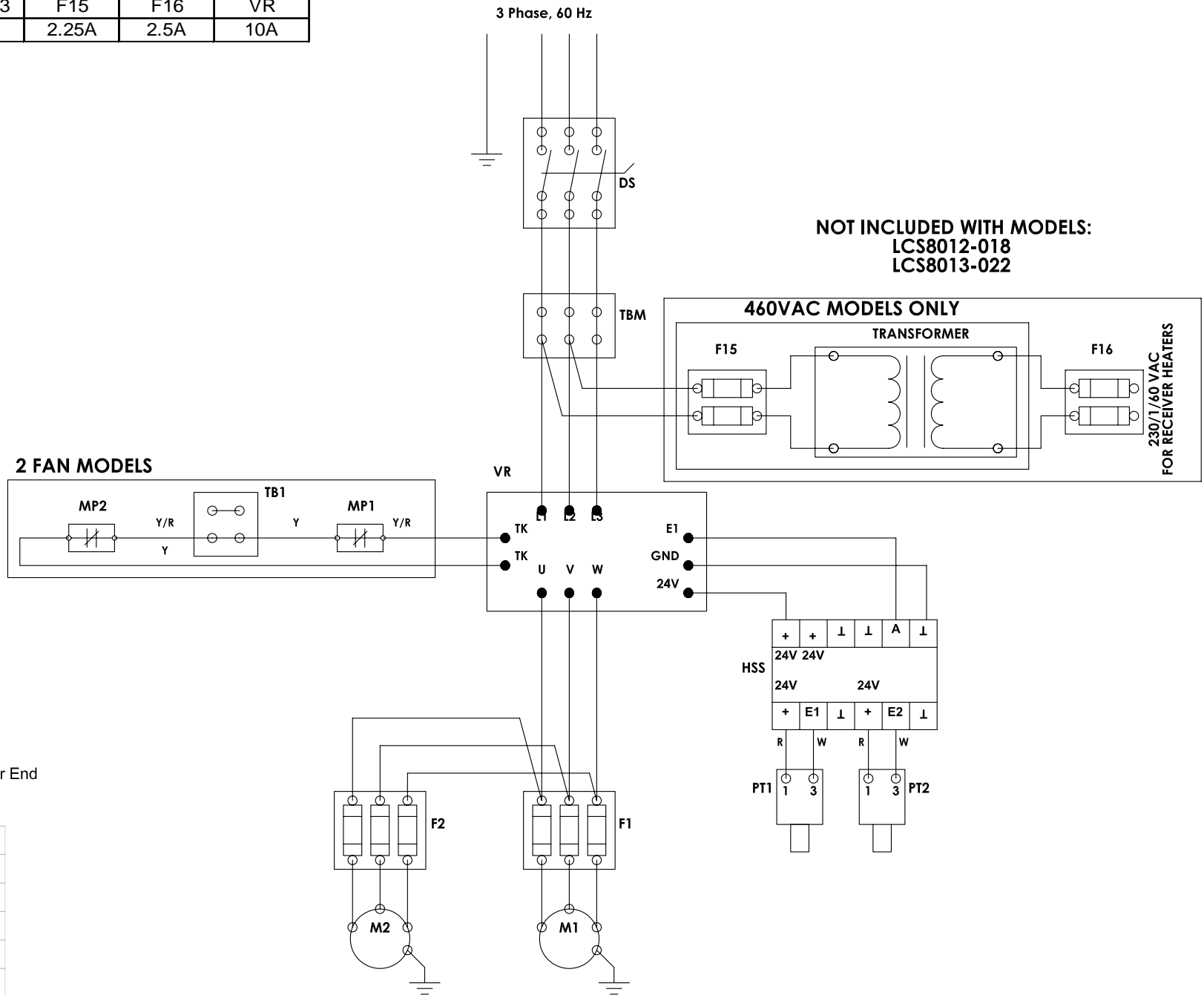


TITLE: COOLING SOLUTIONS  
UNIFLAIR-DX, CONDENSERS  
127-141kW, 460-480V, 3Ph, 60Hz  
95F/120F  
PIPING DIAGRAM-SCHMATIC

DWG NO: ACCD76069-70  
DRAWN BY: K.NAGENDRA 25-SEP-12  
ENGINEER: K.BAER 25-SEP-12  
APPROVED BY: C.CUMMISKEY 25-SEP-12

REV: 0  
THIRD ANGLE PROJECTION

VOLTAGE	F1/F2/F3	F15	F16	VR
460/3/60	4.5A	2.25A	2.5A	10A



Fan Motor Identification

**M2** **M1** Header End

<b>M</b>	Fan Motor
<b>F</b>	Fuse
<b>TB</b>	Terminal Block
<b>MP</b>	Motor Protector
<b>DS</b>	Disconnect Switch
<b>VR</b>	Voltage Regulator
<b>PT</b>	Pressure Transducer
<b>HSS</b>	High Signal Selector

THIS DRAWING AND SPECIFICATIONS HEREIN ARE THE PROPERTY OF SCHNEIDER ELECTRIC AND SHALL NOT BE COPIED, REPRODUCED OR USED IN WHOLE OR IN PART, AS THE BASIS FOR THE MANUFACTURE OR SALE OF ITEMS WITHOUT WRITTEN PERMISSION FROM SCHNEIDER ELECTRIC. THIS DRAWING IS BASED UPON LATEST AVAILABLE INFORMATION AND IS SUBJECT TO CHANGE WITHOUT NOTICE.

**Schneider Electric**

TITLE: COOLING SOLUTIONS  
UNIFLAI-R-DX, CONDENSERS  
127-141kW, 460-480V, 3Ph, 60Hz  
95F/120F  
WIRING DIAGRAM

DWG NO: ACCD76069-70  
DRAWN BY: K.NAGENDRA 25-SEP-12  
ENGINEER: K.BAER 25-SEP-12  
APPROVED BY: C.CUMMISKEY 25-SEP-12

REV: 0  
THIRD ANGLE PROJECTION

PROJECT: DRAWINGS SHEET 4 OF 5

SKU#	Voltage/Ph/Frequency	Condenser Summer Charge	Additional Flooding Charge for Different Minimum Ambient Temps (Lbs. R-410A)				
			40F	20F	0F	-20F	-40F
ACCD76069	460-480/3/60	18.5	11.3	11.3	13.3	13.3	14.4
ACCD76070	460-480/3/60	23.6	16.4	15.4	18.5	18.5	20.5

Flooded Receiver SKU #	Flooded Receiver Qty.	Refrigerant Capacity (R-410a)	Receiver Connection (in)		Diameter in.	Length in.
			In	Out		
ACAC76132	2	26	1-3/8	7/8	6	38
ACAC76134	2	60	1-3/8	1-1/8	8-5/8	36

SKU#	Voltage/Ph/Frequency	FLA	MCA	MOP	SCCR
ACCD76069	460-480/3/60	7.2	9	13	10kA
ACCD76070	460-480/3/60	7.2	9	13	10kA

SKU#	Air Flow		Fans	Circuits
	CFM	L/s	Qty	Qty.
ACCD76069	22751	10737	2	2
ACCD76070	22539	10637	2	2

SKU#	Connections (Sweat)	
	Hot Gas	Liquid
ACCD76069	2 x 1-3/8	2 x 1-1/8
ACCD76070	2 x 1-3/8	2 x 1-1/8

THIS DRAWING AND SPECIFICATIONS HEREIN ARE THE PROPERTY OF SCHNEIDER ELECTRIC AND SHALL NOT BE COPIED, REPRODUCED OR USED IN WHOLE OR IN PART, AS THE BASIS FOR THE MANUFACTURE OR SALE OF ITEMS WITHOUT WRITTEN PERMISSION FROM SCHNEIDER ELECTRIC. THIS DRAWING IS BASED UPON LATEST AVAILABLE INFORMATION AND IS SUBJECT TO CHANGE WITHOUT NOTICE.



TITLE: COOLING SOLUTIONS  
UNIFLAI-R-DX, CONDENSERS  
127-141kW, 460-480V, 3Ph, 60Hz  
95F/120F  
TECHNICAL DATA

DWG NO:	ACCD76069-70	REV:	0
DRAWN BY:	K.NAGENDRA	25-SEP-12	THIRD ANGLE
ENGINEER:	K.BAER	25-SEP-12	PROJECTION
PROJECT: DRAWINGS	SHEET 5 OF 5	APPROVED BY:	C.CUMMISKEY 25-SEP-12