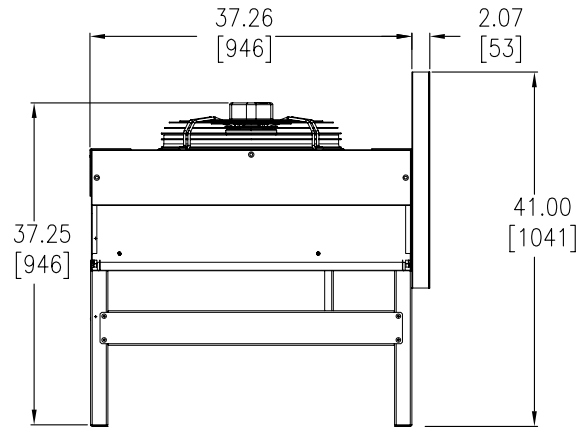
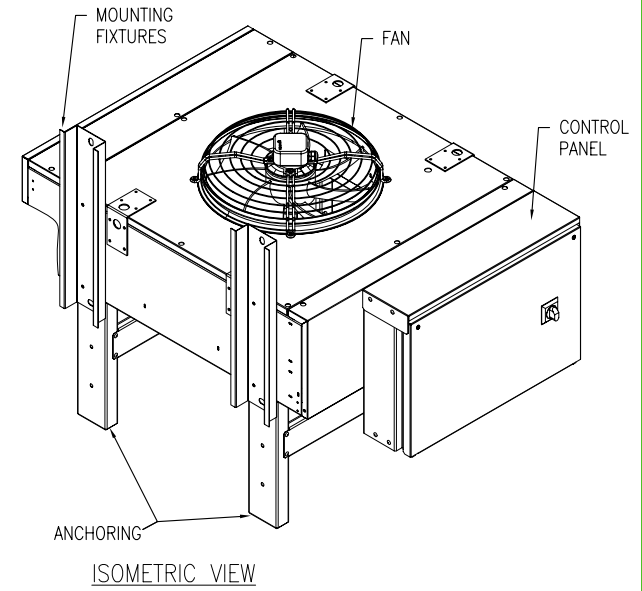


FRONT VIEW



RIGHT SIDE VIEW



ISOMETRIC VIEW

NOTES:

1. INSTALLATION SHALL COMPLY WITH ALL APPLICABLE NATIONAL, STATE AND LOCAL CODES.
2. PLEASE REFER TO PRODUCT MANUALS PRIOR TO INSTALLATION AND SITE PREPARATION WORK FOR FURTHER DETAILS..
3. ALL DIMENSIONS ARE IN INCHES [MILLIMETERS].
4. WEIGHT OF THE UNIT:

SKU#	Weight	
	lbs	kg
ACCD76050	236	107
ACCD76051	242	110
ACCD76052	253	115

THIS DRAWING AND SPECIFICATIONS HEREIN ARE THE PROPERTY OF SCHNEIDER ELECTRIC AND SHALL NOT BE COPIED, REPRODUCED OR USED IN WHOLE OR IN PART, AS THE BASIS FOR THE MANUFACTURE OR SALE OF ITEMS WITHOUT WRITTEN PERMISSION FROM SCHNEIDER ELECTRIC. THIS DRAWING IS BASED UPON LATEST AVAILABLE INFORMATION AND IS SUBJECT TO CHANGE WITHOUT NOTICE.



TITLE: COOLING SOLUTIONS
UNIFLAI- DX, CONDENSERS
20-32kW, 208-230V, 3Ph, 60Hz
95F/120F
MAIN MECHANICAL

DWG NO: ACCD76050-52

REV. 0

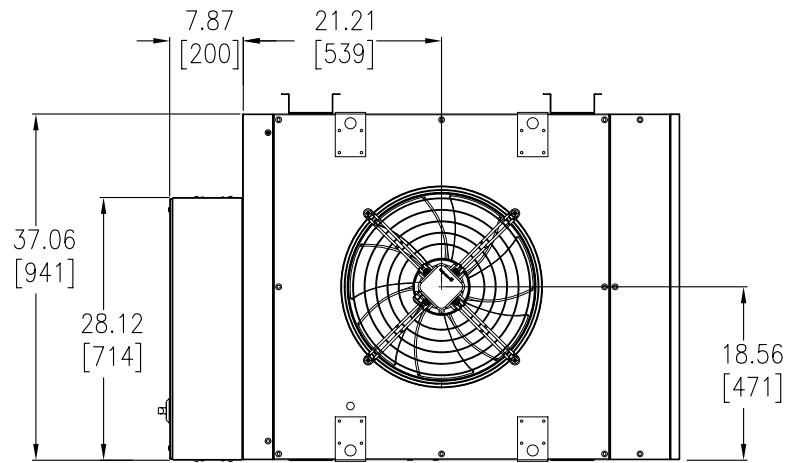
DRAWN BY: K.NAGENDRA 25-SEP-12

ENGINEER: K.BAER 25-SEP-12

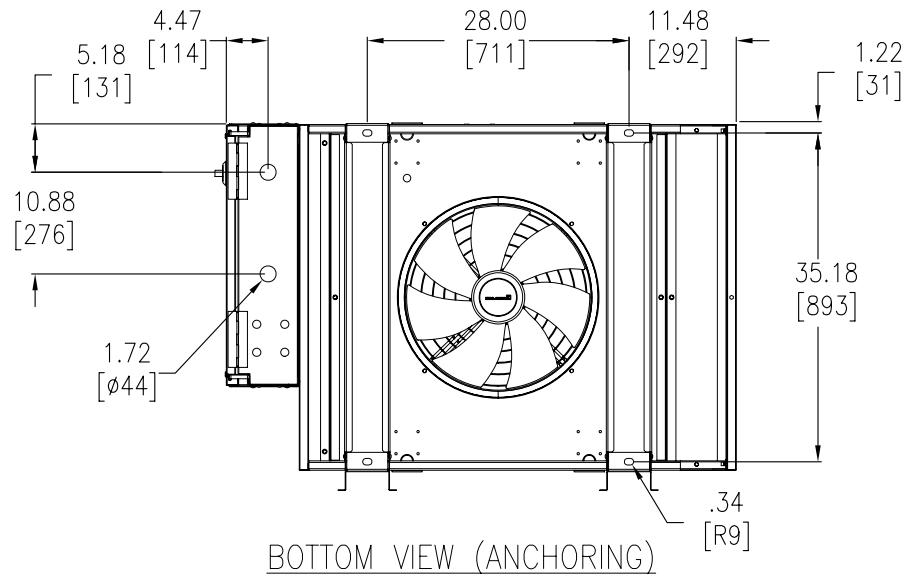
APPROVED BY: C.CUMMISKEY 25-SEP-12

PROJECT: DRAWINGS SHEET 1 OF 5

THIRD ANGLE PROJECTION



TOP VIEW



BOTTOM VIEW (ANCHORING)

NOTES:

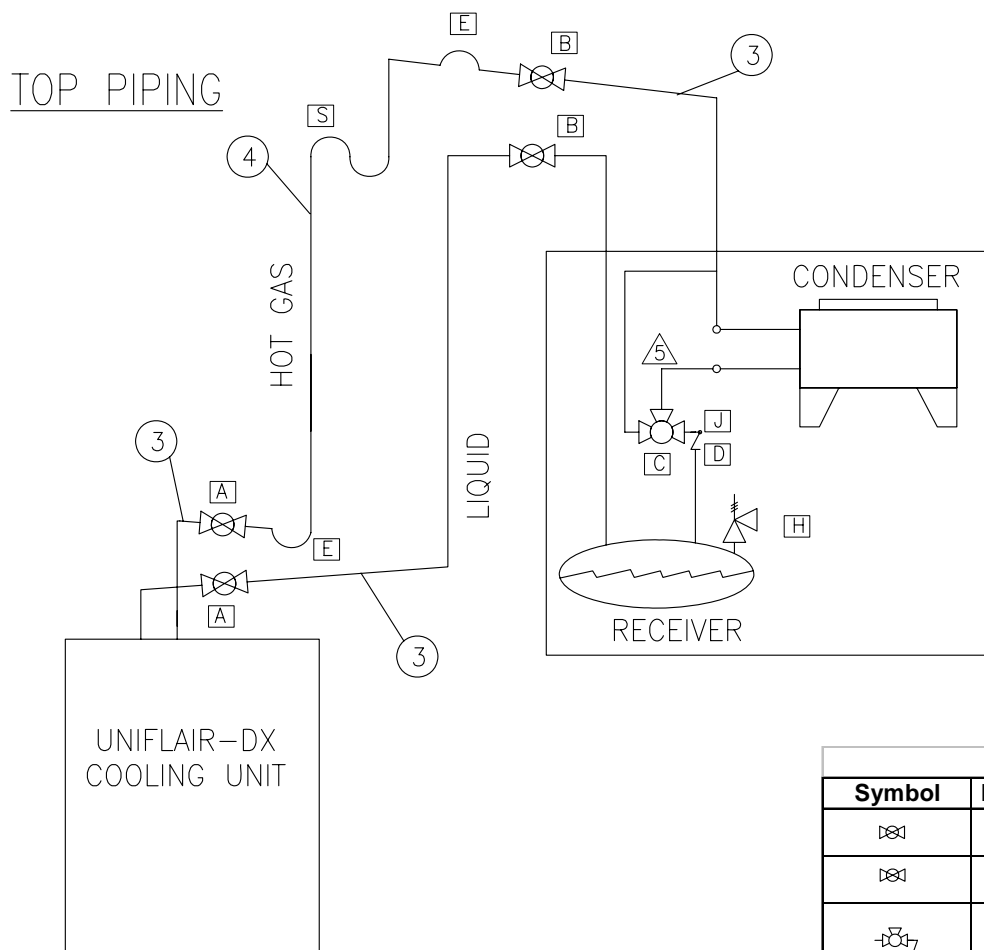
1. INSTALLATION SHALL COMPLY WITH ALL APPLICABLE NATIONAL, STATE AND LOCAL CODES.
2. PLEASE REFER TO PRODUCT MANUALS PRIOR TO INSTALLATION AND SITE PREPARATION WORK FOR FURTHER DETAILS.
3. ALL DIMENSIONS ARE IN INCHES [MILLIMETERS].
4. SOME STRUCTURAL DETAILS HAVE BEEN OMITTED FOR THE PURPOSE OF CLARITY.

THIS DRAWING AND SPECIFICATIONS HEREIN ARE THE PROPERTY OF SCHNEIDER ELECTRIC AND SHALL NOT BE COPIED, REPRODUCED OR USED IN WHOLE OR IN PART, AS THE BASIS FOR THE MANUFACTURE OR SALE OF ITEMS WITHOUT WRITTEN PERMISSION FROM SCHNEIDER ELECTRIC. THIS DRAWING IS BASED UPON LATEST AVAILABLE INFORMATION AND IS SUBJECT TO CHANGE WITHOUT NOTICE.



TITLE: COOLING SOLUTIONS
UNIFLAIR-DX, CONDENSERS
20-32kW, 208-230V, 3Ph, 60Hz
95F/120F
TOP AND BOTTOM VIEW (ANCHORING)

DWG NO:	ACCD76050-52	REV:	0
DRAWN BY:	K.NAGENDRA	25-SEP-12	THIRD ANGLE PROJECTION
ENGINEER:	K.BAER	25-SEP-12	
APPROVED BY:	C.CUMMISKEY	25-SEP-12	



FITTINGS AND FIXTURES			
Symbol	Item No.	Item	Provided By
	A	SHUTOFF VALVE	CONTRACTOR
	B	SHUTOFF VALVE	CONTRACTOR
	C & D	HEAD PRESSURE CONTROL VALVE WITH CHECK VALVE	SCHNEIDER ELECTRIC
	E	P-TRAP	CONTRACTOR
	F	S-TRAP	CONTRACTOR
	G	INVERTED TRAP	CONTRACTOR
	H	PRESSURE RELIEF VALVE	SCHNEIDER ELECTRIC
	J	SHRADER VALVE	CONTRACTOR

NOTES:

1. INSTALLATION SHALL COMPLY WITH ALL APPLICABLE NATIONAL, STATE AND LOCAL CODES.
2. PLEASE REFER TO PRODUCT MANUALS PRIOR TO INSTALLATION AND SITE PREPARATION WORK FOR FURTHER DETAILS.
3. PITCH IN DIRECTION OF REFRIGERANT FLOW
1/2" PER 10'-0" (4mm PER 1m)
4. REDUCTION OF PIPING DIAMETER FOR VERTICAL RUN (IF NECESSARY)
- △ 5. CHECK VALVE PROVIDED BY SCHNEIDER ELECTRIC AS A PART OF HEAD PRESSURE CONTROL VALVE ASSEMBLY. SHOWN IN DIAGRAM TO INSURE PROPER ORIENTATION

THIS DRAWING AND SPECIFICATIONS HEREIN ARE THE PROPERTY OF SCHNEIDER ELECTRIC AND SHALL NOT BE COPIED, REPRODUCED OR USED IN WHOLE OR IN PART, AS THE BASIS FOR THE MANUFACTURE OR SALE OF ITEMS WITHOUT WRITTEN PERMISSION FROM SCHNEIDER ELECTRIC. THIS DRAWING IS BASED UPON LATEST AVAILABLE INFORMATION AND IS SUBJECT TO CHANGE WITHOUT NOTICE.

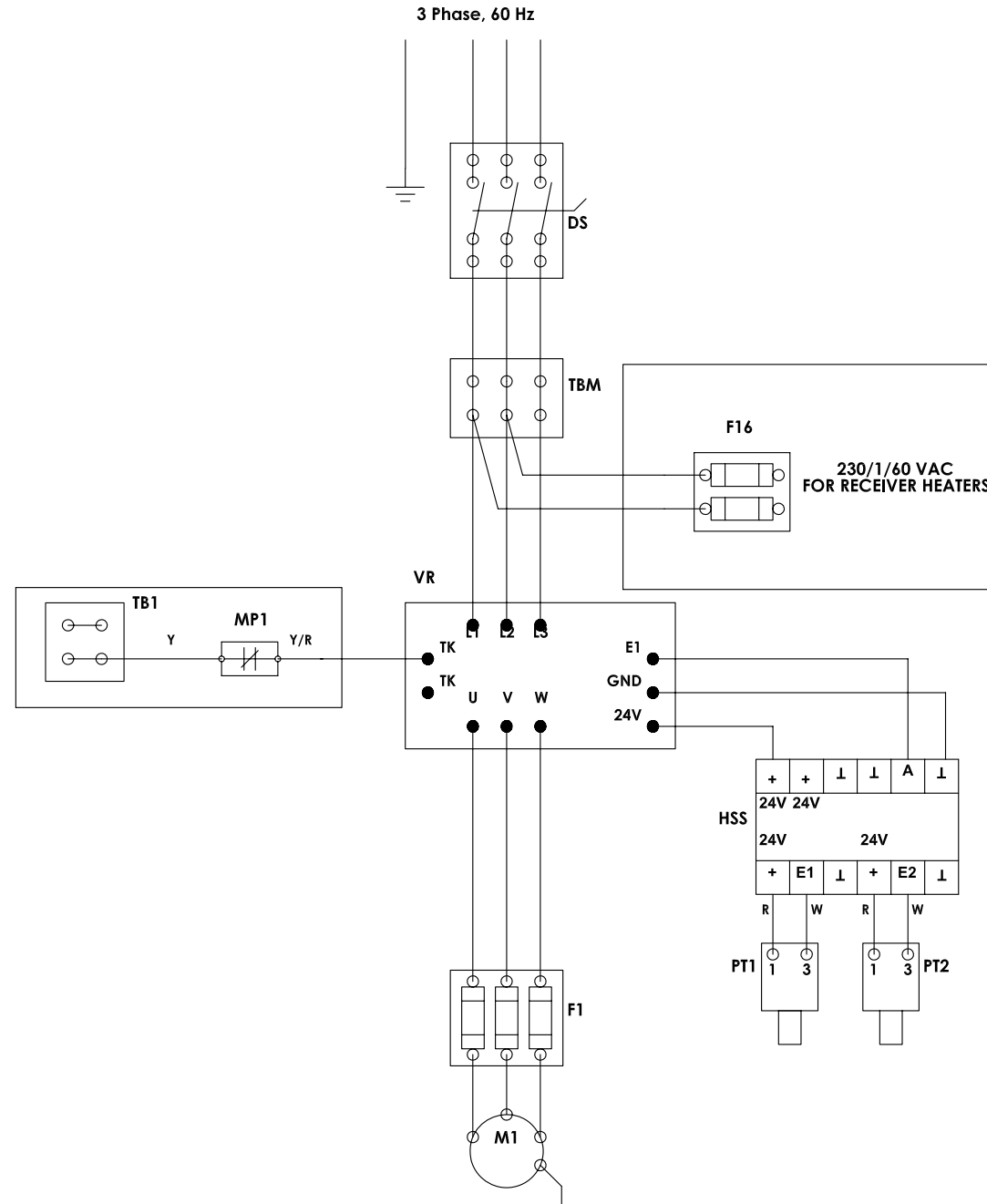


TITLE: COOLING SOLUTIONS
UNIFLAIR-DX, CONDENSERS
20-32kW, 208-230V, 3Ph, 60Hz
95F/120F
PIPING DIAGRAM-SCHMATIC
PROJECT: DRAWINGS SHEET 3 OF 5

DWG NO: ACCD76050-52
DRAWN BY: K.NAGENDRA 25-SEP-12
ENGINEER: K.BAER 25-SEP-12
APPROVED BY: C.CUMMISKEY 25-SEP-12

REV: 0
THIRD ANGLE PROJECTION

VOLTAGE	F1/F2/F3	F15	F16	VR
230/3/60	8 A	----	2.5 A	10 A



Fan Motor Identification

M1 Header End

M	Fan Motor
F	Fuse
TB	Terminal Block
MP	Motor Protector
DS	Disconnect Switch
VR	Voltage Regulator
PT	Pressure Transducer
HSS	High Signal Selector

THIS DRAWING AND SPECIFICATIONS HEREIN ARE THE PROPERTY OF SCHNEIDER ELECTRIC AND SHALL NOT BE COPIED, REPRODUCED OR USED IN WHOLE OR IN PART, AS THE BASIS FOR THE MANUFACTURE OR SALE OF ITEMS WITHOUT WRITTEN PERMISSION FROM SCHNEIDER ELECTRIC. THIS DRAWING IS BASED UPON LATEST AVAILABLE INFORMATION AND IS SUBJECT TO CHANGE WITHOUT NOTICE.

Schneider Electric

TITLE: COOLING SOLUTIONS
UNIFLAI-R-DX, CONDENSERS
20-32kW, 208-230V, 3Ph, 60Hz
95F/120F
WIRING DIAGRAM

DWG NO: ACCD76050-52

REV: 0

DRAWN BY: K.NAGENDRA 25-SEP-12

THIRD

ENGINEER: K.BAER 25-SEP-12

ANGLE

PROJECT: DRAWINGS SHEET 4 OF 5

APPROVED BY: C.CUMMISKEY 25-SEP-12

PROJECTION

SKU#	Voltage/Ph/Frequency	Condenser Summer Charge (lbs/circuit)	Additional Flooding Charge for Different Minimum Ambient Temps (Lbs. R-410A)				
			40F	20F	0F	-20F	-40F
ACCD76050	208-230/3/60	3.8	1.7	1.7	2.1	2.2	2.4
ACCD76051	208-230/3/60	5.8	2.8	2.8	3.2	3.3	3.6
ACCD76052	208-230/3/60	7.7	3.7	3.7	4.2	4.3	4.7

SKU#	Voltage/Ph/Frequency	FLA	MCA	MOP	SCCR
ACCD76050	208-230/3/60	3.3	5	9	10kA
ACCD76051	208-230/3/60	3.3	5	9	10kA
ACCD76052	208-230/3/60	3.3	5	9	10kA

SKU#	Air Flow		Fans	Circuits
	CFM	L/s	Qty	Qty.
ACCD76050	5879	2774	1	1
ACCD76051	5659	2671	1	1
ACCD76052	5450	2572	1	1

SKU#	Connections (Sweat)	
	Hot Gas	Liquid
ACCD76050	1-1/8	7/8
ACCD76051	1-1/8	7/8
ACCD76052	1-1/8	7/8

Flooded Receiver SKU #	Flooded Receiver Qty.	Refrigerant Capacity (R-410a)	Receiver Connection (in)		Diameter in.	Length in.
			In	Out		
ACAC76131	1	18	5/8	5/8	6	24

THIS DRAWING AND SPECIFICATIONS HEREIN ARE THE PROPERTY OF SCHNEIDER ELECTRIC AND SHALL NOT BE COPIED, REPRODUCED OR USED IN WHOLE OR IN PART, AS THE BASIS FOR THE MANUFACTURE OR SALE OF ITEMS WITHOUT WRITTEN PERMISSION FROM SCHNEIDER ELECTRIC. THIS DRAWING IS BASED UPON LATEST AVAILABLE INFORMATION AND IS SUBJECT TO CHANGE WITHOUT NOTICE.



TITLE: COOLING SOLUTIONS
UNIFLAIIR-DX, CONDENSERS
20-32kW, 208-230V, 3Ph, 60Hz
95F/120F
TECHNICAL DATA
PROJECT: DRAWINGS SHEET 5 OF 5

DWG NO:	ACCD76050-52	REV:	0
DRAWN BY:	K.NAGENDRA	25-SEP-12	THIRD ANGLE
ENGINEER:	K.BAER	25-SEP-12	PROJECTION
APPROVED BY:	C.CUMMISKEY	25-SEP-12	