

ISOMETRIC VIEW

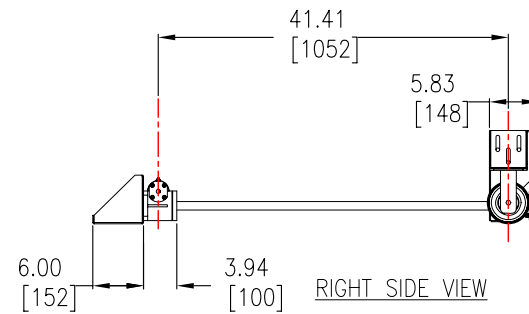
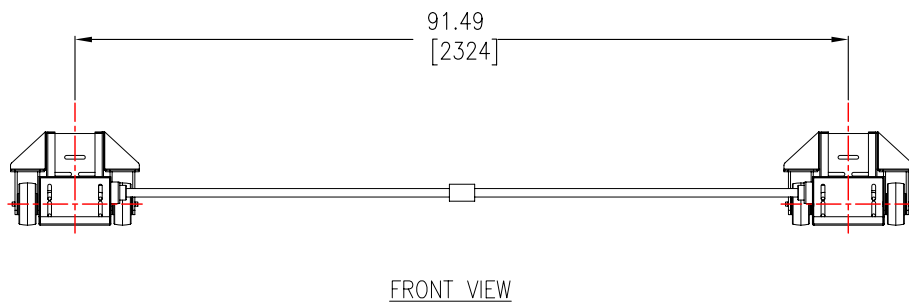
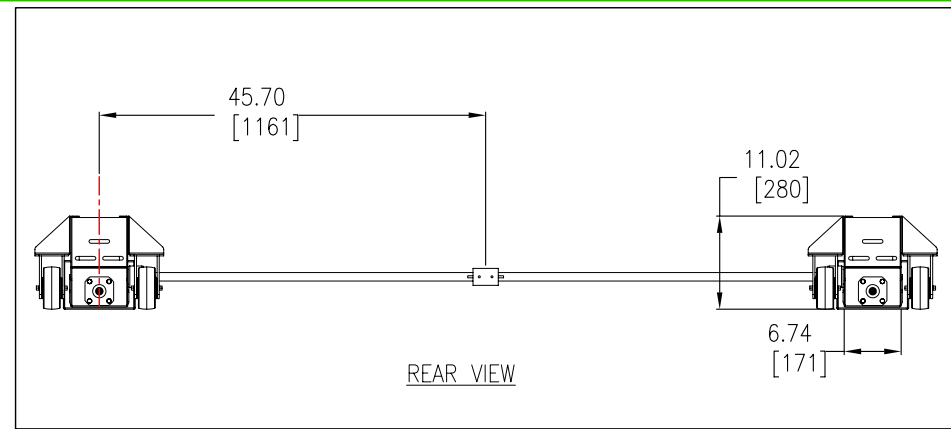
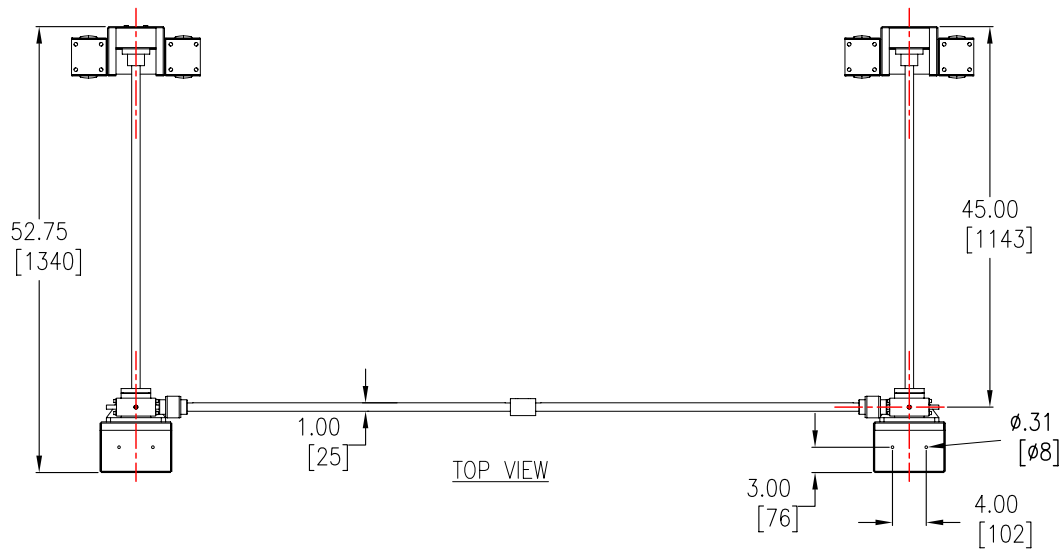
NOTES:

1. INSTALLATION SHALL COMPLY WITH ALL APPLICABLE NATIONAL, STATE AND LOCAL CODES.
2. PLEASE REFER TO PRODUCT MANUALS PRIOR TO INSTALLATION AND SITE PREPARATION WORK FOR FURTHER DETAILS.

THIS DRAWING AND SPECIFICATIONS HEREIN ARE THE PROPERTY OF SCHNEIDER ELECTRIC AND SHALL NOT BE COPIED, REPRODUCED OR USED IN WHOLE OR IN PART, AS THE BASIS FOR THE MANUFACTURE OR SALE OF ITEMS WITHOUT WRITTEN PERMISSION FROM SCHNEIDER ELECTRIC. THIS DRAWING IS BASED UPON LATEST AVAILABLE INFORMATION AND IS SUBJECT TO CHANGE WITHOUT NOTICE.



TITLE:		DWG NO:		REV.
ECOBREEZE SCREW-JACK ASSEMBLY ISOMETRIC VIEW		ACECSJ100		0
PROJECT: SUBMITTAL DRAWINGS		DRAWN BY:	23-AUG-11	THIRD
SHEET 1 OF 2		ENGINEER:	23-AUG-11	ANGLE
		APPROVED BY:	23-AUG-11	PROJECTION



NOTES:

1. INSTALLATION SHALL COMPLY WITH ALL APPLICABLE NATIONAL, STATE AND LOCAL CODES.
2. PLEASE REFER TO PRODUCT MANUALS PRIOR TO INSTALLATION AND SITE PREPARATION WORK FOR FURTHER DETAILS.
3. ALL DIMENSIONS ARE IN INCHES [MILLIMETERS].
4. WEIGHT OF THE UNIT IS 116 lbs [52.6 kg].

THIS DRAWING AND SPECIFICATIONS HEREIN ARE THE PROPERTY OF SCHNEIDER ELECTRIC AND SHALL NOT BE COPIED, REPRODUCED OR USED IN WHOLE OR IN PART, AS THE BASIS FOR THE MANUFACTURE OR SALE OF ITEMS WITHOUT WRITTEN PERMISSION FROM SCHNEIDER ELECTRIC. THIS DRAWING IS BASED UPON LATEST AVAILABLE INFORMATION AND IS SUBJECT TO CHANGE WITHOUT NOTICE.



TITLE:
ECOBREEZE
SCREW-JACK ASSEMBLY
MAIN MECHANICAL

PROJECT: SUBMITTAL DRAWINGS SHEET 2 OF 2

DWG NO:	ACECSJ100	REV.	0
DRAWN BY:	K.NAGENDRA	23-AUG-11	THIRD
ENGINEER:	K.BAER	23-AUG-11	ANGLE
APPROVED BY:	C.CUMMISKEY/C.COOSTEA	23-AUG-11	PROJECTION