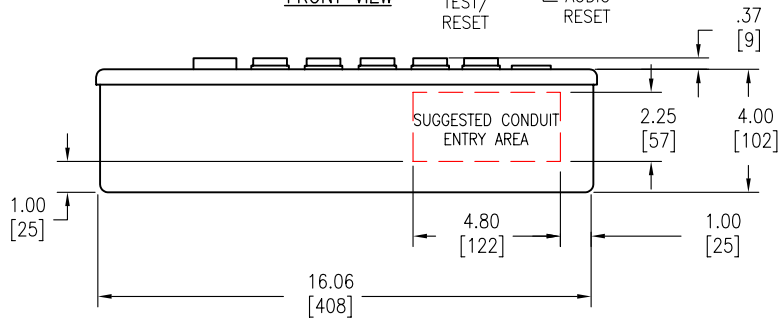


FRONT VIEW



BOTTOM VIEW

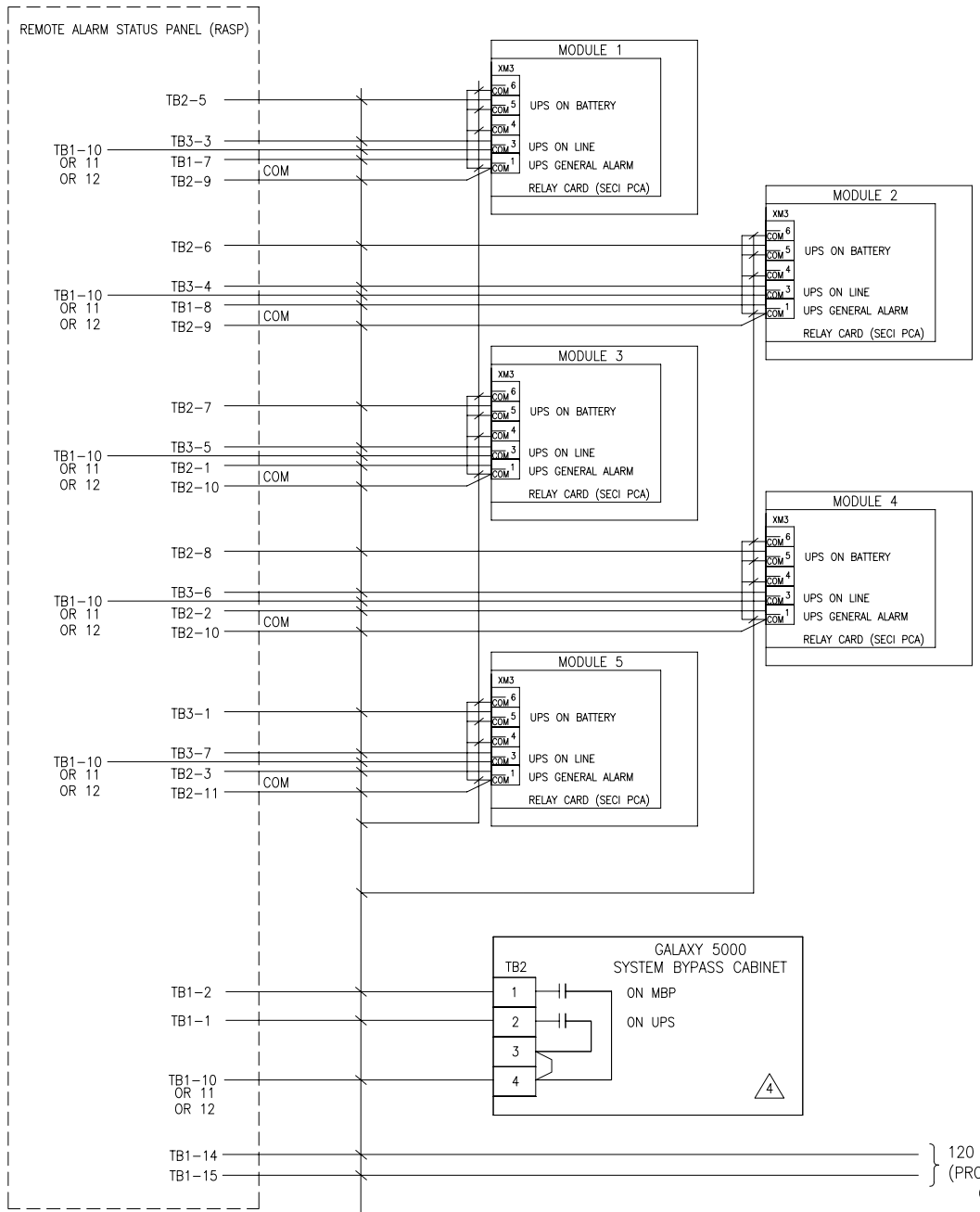
NOTES:

1. INSTALLATION SHALL COMPLY WITH ALL APPLICABLE LOCAL AND NATIONAL CODES.
2. PLEASE REFER TO PRODUCT MANUALS FOR ADDITIONAL DETAILS.
3. ALL DIMENSIONS ARE IN INCHES [MILLIMETERS].
4. TOTAL WEIGHT OF UNIT IS 45 LBS [20.5 KG].
5. COLOR: MGE MED GRAY.
6. UNLESS OTHERWISE SPECIFIED ALL DIMENSIONS ARE TO OUTSIDE EDGE OF THE CABINET, EXCLUDING DOOR LOCK, KEYS AND ALL HARDWARE.

THIS DRAWING AND SPECIFICATIONS HEREIN ARE THE PROPERTY OF SCHNEIDER ELECTRIC AND SHALL NOT BE COPIED, REPRODUCED OR USED IN WHOLE OR IN PART, AS THE BASIS FOR THE MANUFACTURE OR SALE OF ITEMS WITHOUT WRITTEN PERMISSION FROM SCHNEIDER ELECTRIC. THIS DRAWING IS BASED UPON LATEST AVAILABLE INFORMATION AND IS SUBJECT TO CHANGE WITHOUT NOTICE.



TITLE: GALAXY 3000/5000, PW225 INSTALLATION DRAWING REMOTE ALARM STATUS PANEL (5-MODULE) MAIN MECHANICAL		DWG NO: 90-133083-05	REV. 0
PROJECT: SUBMITTAL DRAWINGS		DRAWN BY: K.NAGENDRA	01-APR-10
SHEET 1 OF 2		ENGINEER: I. KENNEDY	12-NOV-07
		APPROVED BY: B.SHERIDAN/F.DIOSA	12-NOV-07
			THIRD ANGLE PROJECTION



- NOTES:**
1. INSTALLATION SHALL COMPLY WITH ALL APPLICABLE LOCAL AND NATIONAL CODES.
 2. PLEASE REFER TO PRODUCT MANUALS FOR ADDITIONAL DETAILS.
 - △ 3. ALL INTERCONNECT WIRES TO BE #20 AWG STRANDED TINNED COPPER WIRE, PROVIDED AND CONNECTED BY CUSTOMER.
 - △ 4. APPLICABLE MODELS FOR GALAXY 5000 :- 72-17407X-XX.

△ 3 USE #20 AWG STRANDED TINNED COPPER WIRE

120 VAC, 1AMP (PROVIDED BY CUSTOMER) △ 3

THIS DRAWING AND SPECIFICATIONS HEREIN ARE THE PROPERTY OF SCHNEIDER ELECTRIC AND SHALL NOT BE COPIED, REPRODUCED OR USED IN WHOLE OR IN PART, AS THE BASIS FOR THE MANUFACTURE OR SALE OF ITEMS WITHOUT WRITTEN PERMISSION FROM SCHNEIDER ELECTRIC. THIS DRAWING IS BASED UPON LATEST AVAILABLE INFORMATION AND IS SUBJECT TO CHANGE WITHOUT NOTICE.



TITLE:	GALAXY 3000/5000, PW225 INSTALLATION DRAWING REMOTE ALARM STATUS PANEL (5-MODULE) INTERCONNECTION DIAGRAM		DWG NO:	90-133083-05	REV.	0
DRAWN BY:	K.NAGENDRA	01-APR-10	ENGINEER:	I. KENNEDY	12-NOV-07	ANGLE PROJECTION
PROJECT: SUBMITTAL DRAWINGS	SHEET 2 OF 2	APPROVED BY: B.SHERIDAN/F.DIOSA	12-NOV-07			N.A